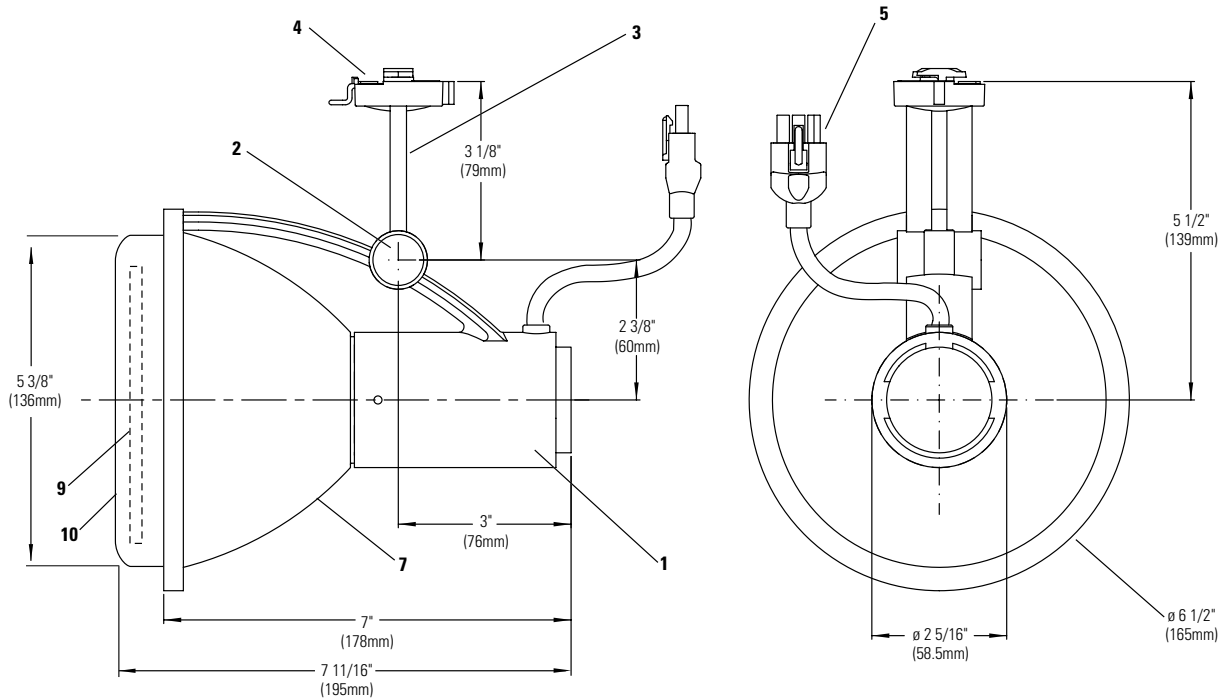


Lytespan® Track Lighting System **8317U**



Ordering Information

Catalog No.	Finish	Track Mountings	Ballast Module	Lamp	Reflectors
8317UWH	Matte White	All Lytespan® Track systems and Multipoint. All PowerArc™ Modular canopies, extension wands, mounting brackets or pipe clamps. Not compatible with ProSpec® Track or ATOM®.	Use one of:	ED-17 or E-17 Clear, Unprotected or Protected, Ceramic Metal Halide 100W Max.	Use one of: 83ED17RNS 83ED17RS 83ED17RF 83ED17RWF
8317UBK	Matte Black		83B70E 83B70M		
8317UAL	Metallic Aluminum		83B10E 83B70SE 83CY70E 83B10M		

Features

- Housing:** Die-cast aluminum body.
- Vertical Pivot:** 0-90° vertical adjustment.
- Horizontal Pivot:** Die-cast track adapter with infinite rotation.
- Track Attachment Fitting:** Molded polycarbonate rotates into track.
- Power Connector:** 5kv rated with insulated pins. Connects to ballast module. Keyed for polarity.
- Reflector:** (not shown) Interchangeable reflectors available to allow for desired precise beam spread without the need of additional lenses.
- Shade:** Die-cast aluminum. Accepts Accessory Holders.
- Socket:** (not shown) 5kv pulse rated ceramic body socket with nickel plated lamp contacts.
- Protective Glass:** 1/8" thick tempered glass. Can be replaced with filter.
- Accessory Holder:** steel holds (2) filters (1) piece of glass must always be installed.

Reflectors sold separately. See **83ED17R NS/S/F/WF** specification sheets.

Accessories

- | | | |
|---------------------------|--------------------|---|
| ADF4 (4 3/4" dia.) | Color Filters | } Compatible with 83B70E and magnetic ballasts only |
| AF4 (4 3/4" dia.) | Diffusion Filters | |
| AL4HC | Hex Cell Louver | |
| 83EW18WH, BK, AL | 18" Extension Wand | |
| 83EW48WH, BK, AL | 48" Extension Wand | |
| 83EC72WH, BK | 6' Extension Cord | |
| 83PCWH, BK | Pipe Clamp | |
| 83MPTWH, BK | Mounting Bracket | |

Finish

All painted finishes are baked enamel.

Electrical

See ballast module spec sheet.

Labels

UL, cUL

Job Information	Type:
Job Name:	
Cat. No.:	
Lamp(s):	
Notes:	

Lightolier a Genlyte company www.lightolier.com
 631 Airport Road, Fall River, MA 02720 • (508) 679-8131 • Fax (508) 674-4710
 We reserve the right to change details of design, materials and finish.
 © 2006 Genlyte Group LLC • D1106

LIGHTOLIER®