

Ordering Information

Catalog No.	Mounting	Finish	Lamps
8257WH	All Lytespan	Matte White	PAR20, 50W Max.
8257BK	Track Systems	Matte Black	(Tungsten-Halogen)

Features

- Lytespan Attachment Fitting:** molded polycarbonate. Integral color. Fitting twists onto track and locks in place.
- Movable Brass Contact:** extends for 2nd circuit in Advent™ Lytespan Track.
- Lamp Retainer:** silicone Rubber. Temperature range -- 65°F to +600°F. Integral color.
- Trunion Mounting:** permanently tensioned with internal spring washer. 90° stop for vertical adjustment (UL requirement).
- Push Tab:** integral to fitting. Detaches unit.
- Pivot Mounting:** permanently tensioned, 350° stop.
- Fitting Housing:** die-cast aluminum.
- Wire Form Ring:** 1/4" Dia. formed steel rod. Chrome plated.
- Socket Cover:** molded Valox®. Integral color. Matte finish.

Electrical

Porcelain socket, medium base, nickel plated screw shell.
No. 18 braided SF-1 leads with a silicone sleeving.

Options and Accessories

2 1/2" Beam Smoother, Beam Elongator, Louver and Barndoors. All require Accessory Holder 8592. (See Lightolier Specification Sheets AL2HC, AF2LF and AF2AS).

Finish

All painted finishes baked enamel.

Labels

UL, I.B.E.W.

Patents

Products shown here are protected by applicable patents and patents pending.

Valox® is a registered trademark of General Electric.

Advent™ is a registered trademark of Lightolier.

Job Information

Type:

Job Name:

Cat. No.:

Lamp(s):

Notes:

Lightolier a Genlyte Thomas Company

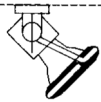
www.lightolier.com

631 Airport Road, Fall River, MA 02720 • (508) 679-8131 • Fax (508) 674-4710

We reserve the right to change details of design, materials and finish.

© 2002 Genlyte Thomas Group LLC (Lightolier Division) • A0902

LIGHTOLIER®

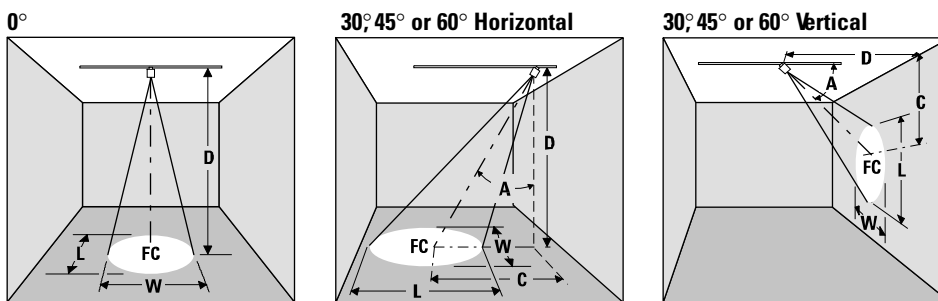


Lighting Data

Aiming Angle:

- L** Beam length
- W** Beam Width
- C** Distance to center beam
- D** Distance
- A** Aiming angle
- FC** Footcandles

L and **W** are the outer points where the candle power drops to 50% of the maximum. **FC** are the initial footcandles at the center of the beam.



LAMP

	Beam Spread 50% Max. CP	Beam Center C.P. Candelas	Rated Life-Hrs
35W PAR20 NSP (Halogen)	8°	3,000	2,500
35W PAR20 FL (Halogen)	30°	900	2,500
35W PAR20 WFL (Halogen)	40°	600	2,500
50W PAR20 NSP (Halogen)	8°	6,000	2,000
50W PAR20 SP (Halogen)	15°	3,200	2,000
50W PAR20 NFL (Halogen)	27°	1,850	2,000

0° AIMING ANGLE A=30° AIMING ANGLE A=45° AIMING ANGLE A=60° AIMING ANGLE

0°				A=30°					A=45°					A=60°				
D	FC	L	W	D	C	FC	L	W	D	C	FC	L	W	D	C	FC	L	W
6'	83	0.8'	0.8'	5'	2.9'	78	0.9'	0.8'	3'	3.0'	118	0.8'	0.6'	2'	3.5'	94	1.1'	0.6'
8'	47	1.1'	1.1'	7'	4.0'	40	1.3'	1.1'	5'	5.0'	42	1.4'	1.0'	3'	5.2'	42	1.7'	0.8'
10'	30	1.4'	1.4'	9'	5.2'	24	1.7'	1.5'	7'	7.0'	22	2.0'	1.4'	4'	6.9'	23	2.3'	1.1'
12'	21	1.7'	1.7'	11'	6.4'	16	2.1'	1.8'	9'	9.0'	13	2.5'	1.8'	5'	8.7'	15	2.8'	1.4'
3'	100	1.6'	1.6'	3'	1.7'	65	2.2'	1.6'	2'	2.0'	80	2.3'	1.5'	1'	1.7'	113	2.7'	1.1'
5'	38	2.7'	2.7'	5'	2.9'	23	3.7'	3.1'	3'	3.0'	35	3.5'	2.3'	2'	3.5'	28	5.5'	2.1'
7'	18	3.8'	3.8'	7'	4.0'	12	5.1'	4.3'	4'	4.0'	20	4.6'	3.0'	3'	5.2'	13	8.2'	3.2'
9'	11	4.8'	4.8'	9'	5.2'	7	6.6'	5.6'	5'	5.0'	13	5.8'	3.8'	4'	6.9'	7	10.9'	4.3'
3'	67	2.2'	2.2'	3'	1.7'	43	3.0'	2.5'	2'	2.0'	53	3.4'	2.1'	1'	1.7'	75	4.8'	1.5'
5'	24	3.6'	3.6'	5'	2.8'	16	5.1'	4.2'	3'	3.0'	24	5.0'	3.1'	2'	3.5'	19	9.7'	2.9'
7'	12	5.1'	5.1'	7'	4.0'	8	7.1'	5.9'	4'	4.0'	13	6.7'	4.1'	3'	5.2'	8	14.5'	4.4'
9'	7	6.6'	6.6'	9'	5.2'	5	9.1'	7.6'	5'	5.0'	8	8.4'	5.1'	4'	6.9'	5	19.3'	5.8'
6'	167	0.8'	0.8'	5'	2.9'	156	0.9'	0.8'	3'	3.0'	236	0.8'	0.6'	2'	3.5'	188	1.1'	0.6'
8'	94	1.1'	1.1'	7'	4.0'	80	1.3'	1.1'	5'	5.0'	85	1.4'	1.0'	3'	5.2'	83	1.7'	0.8'
10'	60	1.4'	1.4'	9'	5.2'	48	1.7'	1.5'	7'	7.0'	43	2.0'	1.4'	4'	6.9'	47	2.3'	1.1'
12'	42	1.7'	1.7'	11'	6.4'	32	2.1'	1.8'	9'	9.0'	26	2.5'	1.8'	5'	8.7'	30	2.8'	1.4'
6'	89	1.6'	1.6'	5'	2.9'	83	1.8'	1.5'	3'	3.0'	126	1.6'	1.1'	2'	3.5'	100	2.2'	1.1'
8'	50	2.1'	2.1'	7'	4.0'	42	2.5'	2.1'	5'	5.0'	45	2.7'	1.9'	3'	5.2'	44	3.3'	1.6'
10'	32	2.8'	2.8'	9'	5.2'	26	3.2'	2.7'	7'	7.0'	23	3.8'	2.6'	4'	6.9'	25	4.4'	2.1'
12'	22	3.2'	3.2'	11'	6.4'	17	3.9'	3.3'	9'	9.0'	14	4.8'	3.4'	5'	8.7'	16	5.6'	2.6'
4'	116	1.9'	1.9'	3'	1.7'	134	2.0'	1.7'	3'	3.0'	73	3.1'	2.0'	1'	1.7'	231	2.3'	1.0'
6'	51	2.9'	2.9'	5'	2.9'	48	3.3'	2.8'	4'	4.0'	41	4.1'	2.7'	2'	3.5'	58	4.8'	1.9'
8'	29	3.8'	3.8'	7'	4.0'	25	4.6'	3.9'	5'	5.0'	26	5.1'	3.4'	3'	5.2'	26	7.0'	2.9'
10'	19	4.8'	4.8'	9'	5.2'	15	5.9'	5.0'	6'	6.0'	18	6.1'	4.1'	4'	6.9'	14	9.3'	3.8'

LIGHTOLIER®

Job Information Type:

Lightolier a Genlyte Thomas Company www.lightolier.com
 631 Airport Road, Fall River, MA 02720 • (508) 679-8131 • Fax (508) 674-4710
 We reserve the right to change details of design, materials and finish.
 © 2002 Genlyte Thomas Group LLC (Lightolier Division) • A0902