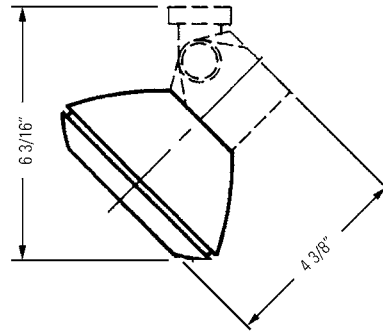
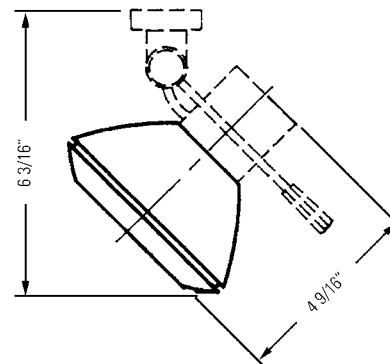


BEZEL 30 WITH LOW PROFILE ADAPTER



BEZEL 30 WITH HINGED ADAPTER



Ordering Information

Catalog No.	Finishes	Mounting	Lamps
8237WH 8237BK	Matte White Matte Black	All Lytespan Track Systems	PAR30, 75W Max. (Tungsten-Halogen)

Features

- 1. **Shade Attachment:** Zinc plated and painted C.R. steel. Bayonet fitting.
- 2. **Shade:** Single piece die-cast aluminum.
- 3. **Front Bezel:** High temperature ULTEM® integral color. Shields extraneous spill light.
- 4. **Shade Rear Vents:** Aligns with Adapter's vents for effective air circulation.
- 5. **Color Accent Ring:** Silicone rubber.

Finish

All painted finishes baked enamel.

Options & Accessories

3 1/2" Beam Smoother, Beam Elongator, Louver and Barn Doors. All require Accessory Holder 8593. See Lightolier Specification Sheets AL3HC, AF3LF, AF3AS.

Labels

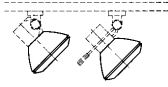
UL; I.B.E.W.

Patents

Products shown here are protected by applicable patents and patents pending.

Ultem® is a trademark of General Electric.

Job Information	Type:
Job Name:	
Cat. No.:	
Lamp(s):	
Notes:	

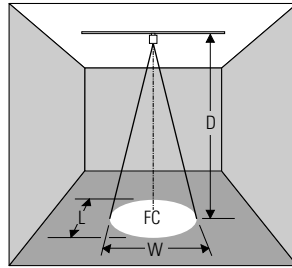


Lighting Data Aiming Angle

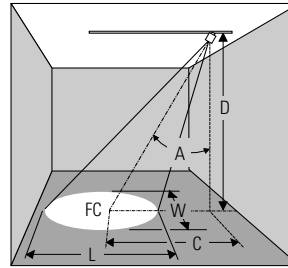
L Beam Length
W Beam Width
C Distance to center beam
D Distance
A Aiming Angle
FC Footcandles

L and **W** are the outer points where the candle power drops to 50% of the maximum. **FC** are the initial footcandles at the center of the beam.

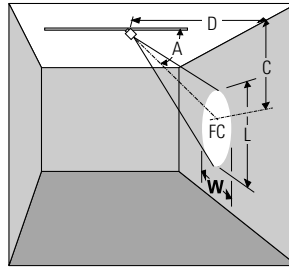
0°



30°, 45° or 60° Horizontal



30°, 45° or 60° Vertical



LAMP

Lamp	Beam Spread 50% Max. CP	Beam Center C.P. Candelas	Rated Life-Hrs
50W PAR30 NSP (Halogen)	8°	9,200	2,000
50W PAR30/NSP (Halogen-IR)	8°	17,000	3,000
50W PAR30 NFL (Halogen)	25°	2,000	2,000
50W PAR30 NFL (Halogen-IR)	25°	3,000	3,000
50W PAR30 FL (Halogen)	35°	1,400	2,500
50W PAR30 FL (Halogen-IR)	37°	1,600	3,000
75W PAR30 NSP (Halogen)	9°	14,000	2,500
75W PAR30 NFL (Halogen)	30°	3,200	2,500
75W PAR30 FL (Halogen)	40°	2,000	2,500

0° AIMING ANGLE

D	FC	L	W
7'	188	1.0'	1.0'
10'	92	1.4'	1.4'
13'	54	1.8'	1.8'
16'	36	2.2'	2.2'
8'	266	1.1'	1.1'
12'	118	1.7'	1.7'
16'	66	2.2'	2.2'
20'	43	2.8'	2.8'
4'	125	1.8'	1.8'
6'	58	2.7'	2.7'
8'	31	3.5'	3.5'
10'	20	4.4'	4.4'
6'	83	2.7'	2.7'
8'	47	3.5'	3.5'
10'	30	4.4'	4.4'
12'	21	5.3'	5.3'
3'	158	1.9'	1.9'
5'	56	3.2'	3.2'
7'	29	4.4'	4.4'
9'	17	5.7'	5.7'
3'	178	2.0'	2.0'
5'	64	3.3'	3.3'
7'	33	4.7'	4.7'
9'	20	6.0'	6.0'
8'	219	1.3'	1.3'
12'	97	1.9'	1.9'
16'	55	2.5'	2.5'
20'	35	3.1'	3.1'
6'	89	3.2'	3.2'
8'	50	4.3'	4.3'
10'	32	5.4'	5.4'
12'	22	6.4'	6.4'
4'	125	2.9'	2.9'
6'	56	4.4'	4.4'
8'	31	5.8'	5.8'
10'	20	7.3'	7.3'

A=30° AIMING ANGLE

D	C	FC	L	W
6'	3.5'	166	1.1'	1.0'
9'	5.2'	74	1.7'	1.5'
12'	6.9'	41	2.2'	1.9'
15'	8.7'	27	2.8'	2.4'
7'	4.0'	225	1.3'	1.1'
10'	5.8'	110	1.9'	1.6'
13'	7.5'	65	2.4'	2.1'
16'	9.2'	43	3.0'	2.6'
3'	1.7'	144	1.8'	1.5'
5'	2.9'	52	3.0'	2.6'
7'	4.0'	27	4.2'	3.6'
9'	5.2'	16	5.4'	4.5'
5'	2.9'	78	3.0'	2.6'
7'	4.0'	40	4.2'	3.6'
9'	5.2'	24	5.4'	4.6'
11'	6.4'	16	6.6'	5.6'
3'	1.7'	101	2.6'	2.2'
5'	2.9'	36	4.3'	3.6'
7'	4.0'	19	6.1'	5.1'
9'	5.2'	11	7.8'	6.6'
3'	1.7'	115	2.8'	2.3'
5'	2.9'	42	4.6'	3.9'
7'	4.0'	21	6.5'	5.4'
9'	5.2'	13	8.3'	7.0'
7'	4.0'	186	1.5'	1.3'
10'	5.8'	91	2.1'	1.8'
13'	7.5'	54	2.7'	2.4'
16'	9.2'	36	3.4'	2.9'
5'	2.9'	83	3.7'	3.1'
7'	4.0'	42	5.1'	4.3'
9'	5.2'	26	6.6'	5.6'
11'	6.4'	17	8.1'	6.8'
3'	1.7'	144	3.0'	2.5'
5'	2.9'	52	5.1'	4.2'
7'	4.0'	27	7.1'	5.9'
9'	5.2'	16	9.1'	7.6'

A=45° AIMING ANGLE

D	C	FC	L	W
4'	4.0'	203	1.1'	0.8'
6'	6.0'	90	1.7'	1.2'
8'	8.0'	51	2.2'	1.6'
10'	10.0'	33	2.8'	2.0'
5'	5.0'	240	1.4'	1.0'
7'	7.0'	123	2.0'	1.4'
9'	9.0'	74	2.5'	1.8'
11'	11.0'	50	3.1'	2.2'
3'	3.0'	79	2.8'	1.9'
4'	4.0'	44	3.7'	2.5'
5'	5.0'	28	4.7'	3.1'
6'	6.0'	20	5.6'	3.8'
3'	3.0'	118	2.8'	1.9'
5'	5.0'	42	4.7'	3.1'
7'	7.0'	22	6.5'	4.4'
9'	9.0'	12	8.4'	5.6'
2'	2.0'	124	2.8'	1.8'
3'	3.0'	55	4.2'	2.7'
4'	4.0'	31	5.6'	3.8'
5'	5.0'	20	7.0'	4.5'
2'	2.0'	141	3.0'	1.9'
3'	3.0'	63	4.5'	2.8'
4'	4.0'	35	6.0'	3.8'
5'	5.0'	23	7.5'	4.7'
5'	5.0'	198	1.6'	1.1'
7'	7.0'	101	2.2'	1.6'
9'	9.0'	61	2.9'	2.0'
11'	11.0'	41	3.5'	2.4'
3'	3.0'	126	3.5'	2.3'
5'	5.0'	45	5.8'	3.8'
7'	7.0'	23	8.1'	5.3'
9'	9.0'	14	10.4'	6.8'
3'	3.0'	79	5.0'	3.1'
4'	4.0'	44	6.7'	4.1'
5'	5.0'	28	8.4'	5.1'
6'	6.0'	20	10.1'	6.1'

A=60° AIMING ANGLE

D	C	FC	L	W
2'	3.5'	288	1.1'	0.6'
3'	5.2'	128	1.7'	0.8'
4'	6.9'	72	2.3'	1.1'
5'	8.7'	46	2.8'	1.4'
3'	5.2'	236	1.7'	0.8'
4'	6.9'	133	2.3'	1.1'
5'	8.7'	85	2.8'	1.4'
6'	10.4'	59	3.4'	1.7'
1'	1.7'	250	2.1'	0.9'
2'	3.5'	63	4.2'	1.8'
3'	5.2'	28	6.2'	2.7'
4'	6.9'	16	8.3'	3.5'
2'	3.5'	94	4.2'	1.8'
3'	5.2'	42	6.2'	2.7'
4'	6.9'	23	8.3'	3.5'
5'	8.7'	15	10.4'	4.4'
1'	1.7'	175	3.6'	1.3'
2'	3.5'	44	7.2'	2.5'
3'	5.2'	19	10.8'	3.8'
4'	6.9'	11	14.4'	5.0'
1'	1.7'	200	4.0'	1.3'
2'	3.5'	50	8.1'	2.7'
3'	5.2'	22	12.1'	4.0'
4'	6.9'	13	18.1'	5.4'
3'	5.2'	184	1.9'	0.9'
4'	6.8'	109	2.6'	1.3'
5'	8.7'	70	3.2'	1.6'
6'	10.4'	49	3.8'	1.9'
2'	3.5'	100	5.5'	2.1'
3'	5.2'	44	8.2'	3.2'
4'	6.9'	25	10.9'	4.3'
5'	8.7'	16	13.7'	5.4'
1'	1.7'	250	4.8'	1.5'
2'	3.5'	63	9.7'	2.9'
3'	5.2'	28	14.5'	4.4'
4'	6.9'	16	19.3'	5.8'

Job Information

Type:

Lightolier a Genlyte company
 631 Airport Road, Fall River, MA 02720 • (508) 679-8131 • Fax (508) 674-4710
 We reserve the right to change details of design, materials and finish.
 © 2007 Genlyte Group LLC • 80607

www.lightolier.com