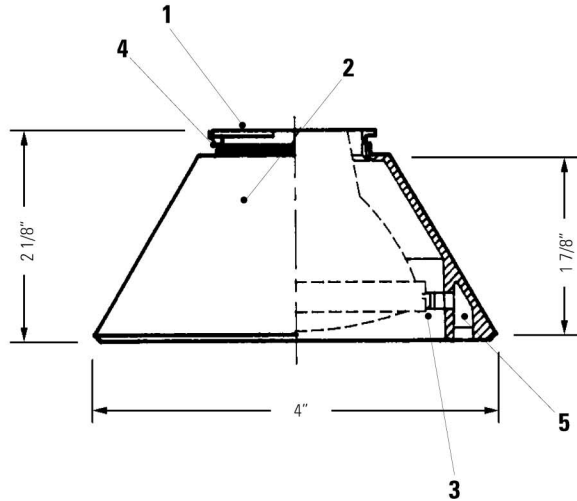
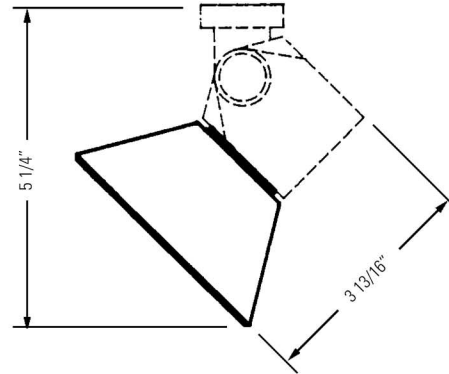


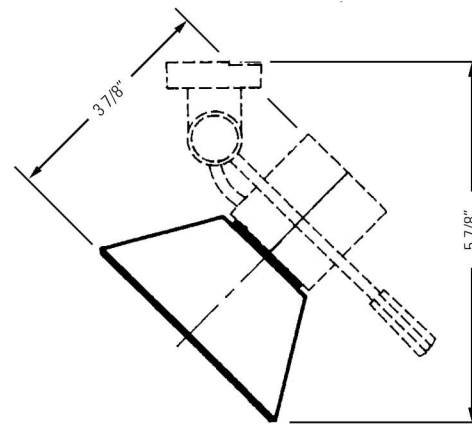
8225WH
8225BK



CONE 20 WITH LOW PROFILE ADAPTER



CONE 20 WITH HINGED ADAPTER



Ordering Information

Catalog No.	Finishes	Mounting	Lamps
8225WH 8225BK	Matte White Matte Black	All Lytespan Track Systems	PAR20, 50W Max. (Tungsten-Halogen)

Features

- Shade Attachment:** Zinc plated and painted C.R. steel. Bayonet fitting.
- Shade:** Single piece die-cast aluminum.
- Mounting Groove:** For accessories holder.
- Color Accent Ring:** Silicone rubber. (Removable)
- Perimeter Venting**

Options & Accessories

2 1/2" Beam Smoother, Beam Elongator and Louver. All require Accessory Holder 8582. See Lightolier Specification Sheets AL2HC, AF2LF, and AF2AS.

Finish

All painted finishes baked enamel.

Labels

UL; I.B.E.W.

Patents

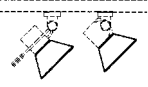
Products shown here are protected by applicable patents and patents pending.

Ultem® is a trademark of General Electric.

Job Information	Type:
Job Name:	
Cat. No.:	
Lamp(s):	
Notes:	

Lightolier a Genlyte Thomas Company www.lightolier.com
 631 Airport Road, Fall River, MA 02720 • (508) 679-8131 • Fax (508) 674-4710
 We reserve the right to change details of design, materials and finish.
 © 2003 Genlyte Thomas Group LLC (Lightolier Division) • B0603

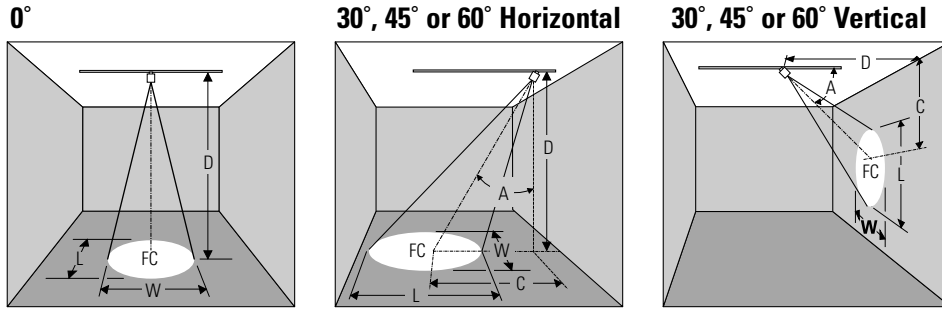
LIGHTOLIER®



Lighting Data Aiming Angle

- L** Beam Length
- W** Beam Width
- C** Distance to center beam
- D** Distance
- A** Aiming Angle
- FC** Footcandles

L and W are the outer points where the candle power drops to 50% of the maximum. FC are the initial footcandles at the center of the beam.



LAMP	Beam Spread 50% Max. CP	Beam Center C.P. Candelas	Rated Life-Hrs	0° AIMING ANGLE				A=30° AIMING ANGLE					A=45° AIMING ANGLE					A=60° AIMING ANGLE				
				D	FC	L	W	D	C	FC	L	W	D	C	FC	L	W	D	C	FC	L	W
 35W PAR20 NSP (Halogen)	8°	3,000	2,500	6'	83	0.8'	0.8'	5'	2.9'	78	0.9'	0.8'	3'	3.0'	118	0.8'	0.6'	2'	3.5'	94	1.1'	0.6'
				8'	47	1.1'	1.1'	7'	4.0'	40	1.3'	1.1'	5'	5.0'	42	1.4'	1.0'	3'	5.2'	42	1.7'	0.8'
				10'	30	1.4'	1.4'	9'	5.2'	24	1.7'	1.5'	7'	7.0'	22	2.0'	1.4'	4'	6.9'	23	2.3'	1.1'
				12'	21	1.7'	1.7'	11'	6.4'	16	2.1'	1.8'	9'	9.0'	13	2.5'	1.8'	5'	8.7'	15	2.8'	1.4'
 35W PAR20 FL (Halogen)	30°	900	2,500	3'	100	1.6'	1.6'	3'	1.7'	65	2.2'	1.6'	2'	2.0'	80	2.3'	1.5'	1'	1.7'	113	2.7'	1.1'
				5'	38	2.7'	2.7'	5'	2.9'	23	3.7'	3.1'	3'	3.0'	35	3.5'	2.3'	2'	3.5'	28	5.5'	2.1'
				7'	18	3.8'	3.8'	7'	4.0'	12	5.1'	4.3'	4'	4.0'	20	4.6'	3.0'	3'	5.2'	13	8.2'	3.2'
 35W PAR20 WFL (Halogen)	40°	600	2,500	3'	67	2.2'	2.2'	3'	1.7'	43	3.0'	2.5'	2'	2.0'	53	3.4'	2.1'	1'	1.7'	75	4.8'	1.5'
				5'	24	3.6'	3.6'	5'	2.8'	16	5.1'	4.2'	3'	3.0'	24	5.0'	3.1'	2'	3.5'	19	9.7'	2.9'
				7'	12	5.1'	5.1'	7'	4.0'	8	7.1'	5.9'	4'	4.0'	13	6.7'	4.1'	3'	5.2'	8	14.5'	4.4'
 50W PAR20 NSP (Halogen)	8°	6,000	2,000	6'	167	0.8'	0.8'	5'	2.9'	156	0.9'	0.8'	3'	3.0'	236	0.8'	0.6'	2'	3.5'	188	1.1'	0.6'
				8'	94	1.1'	1.1'	7'	4.0'	80	1.3'	1.1'	5'	5.0'	85	1.4'	1.0'	3'	5.2'	83	1.7'	0.8'
				10'	60	1.4'	1.4'	9'	5.2'	48	1.7'	1.5'	7'	7.0'	43	2.0'	1.4'	4'	6.9'	47	2.3'	1.1'
				12'	42	1.7'	1.7'	11'	6.4'	32	2.1'	1.8'	9'	9.0'	26	2.5'	1.8'	5'	8.7'	30	2.8'	1.4'
 50W PAR20 SP (Halogen)	15°	3,200	2,000	6'	89	1.6'	1.6'	5'	2.9'	83	1.8'	1.5'	3'	3.0'	126	1.6'	1.1'	2'	3.5'	100	2.2'	1.1'
				8'	50	2.1'	2.1'	7'	4.0'	42	2.5'	2.1'	5'	5.0'	45	2.7'	1.9'	3'	5.2'	44	3.3'	1.6'
				10'	32	2.8'	2.8'	9'	5.2'	26	3.2'	2.7'	7'	7.0'	23	3.8'	2.6'	4'	6.9'	25	4.4'	2.1'
				12'	22	3.2'	3.2'	11'	6.4'	17	3.9'	3.3'	9'	9.0'	14	4.8'	3.4'	5'	8.7'	16	5.6'	2.6'
 50W PAR20 NFL (Halogen)	27°	1,850	2,000	4'	116	1.9'	1.9'	3'	1.7'	134	2.0'	1.7'	3'	3.0'	73	3.1'	2.0'	1'	1.7'	231	2.3'	1.0'
				6'	51	2.9'	2.9'	5'	2.9'	48	3.3'	2.8'	4'	4.0'	41	4.1'	2.7'	2'	3.5'	58	4.8'	1.9'
				8'	29	3.8'	3.8'	7'	4.0'	25	4.6'	3.9'	5'	5.0'	26	5.1'	3.4'	3'	5.2'	26	7.0'	2.9'
				10'	19	4.8'	4.8'	9'	5.2'	15	5.9'	5.0'	6'	6.0'	18	6.1'	4.1'	4'	6.9'	14	9.3'	3.8'

LIGHTOLIER®

Job Information **Type:**

Lightolier a Genlyte Thomas Company www.lightolier.com
 631 Airport Road, Fall River, MA 02720 • (508) 679-8131 • Fax (508) 674-4710
 We reserve the right to change details of design, materials and finish.
 © 2003 Genlyte Thomas Group LLC (Lightolier Division) • B0603