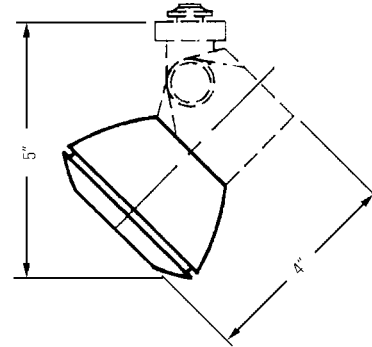
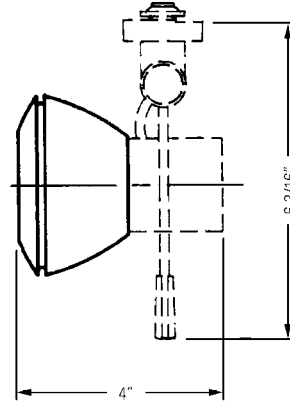


**BEZEL 20 WITH LOW PROFILE ADAPTER**



**BEZEL 20 WITH HINGED ADAPTER**



**Ordering Information**

Catalog No.	Finishes	Mounting	Lamps
8227WH 8227BK	Matte White Matte Black	All Lytespan Track Systems	PAR20, 50W Max. (Tungsten-Halogen)

**Features**

- Shade Attachment:** Zinc plated and painted C.R. steel. Bayonet fitting.
- Shade:** Single piece die-cast aluminum.
- Front Bezel:** high temperature ULTEM®. Integral color, helps remove extraneous spill light.
- Rear Vents:** aligns with adapter's vents for effective air circulation.
- Color Accent Ring:** silicone rubber. (Removable).

**Finish**

All painted finishes baked enamel.

**Options & Accessories**

2 1/2" Beam Smoother, Beam Elongator, Louver and Barn Doors. All require Accessory Holder 8592. See Lightolier Specification Sheets AL2HC, AF2LF, and AF2AS.

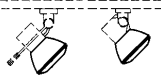
**Labels**

UL; I.B.E.W.

**Patents**

Products shown here are protected by applicable patents and patents pending.

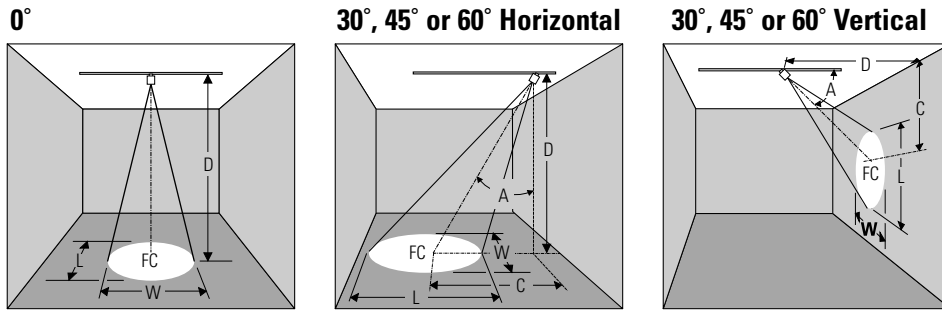
Job Information	Type:
<b>Job Name:</b>	
<b>Cat. No.:</b>	
<b>Lamp(s):</b>	
<b>Notes:</b>	



## Lighting Data Aiming Angle

- L** Beam Length
- W** Beam Width
- C** Distance to center beam
- D** Distance
- A** Aiming Angle
- FC** Footcandles

L and W are the outer points where the candle power drops to 50% of the maximum. FC are the initial footcandles at the center of the beam.



### LAMP

LAMP	Beam Spread 50% Max. CP	Beam Center C.P. Candelas	Rated Life-Hrs	0° AIMING ANGLE				A=30° AIMING ANGLE				A=45° AIMING ANGLE				A=60° AIMING ANGLE						
				D	FC	L	W	D	C	FC	L	W	D	C	FC	L	W	D	C	FC	L	W
 35W PAR20 NSP (Halogen)	8°	3,000	2,500	6'	83	0.8'	0.8'	5'	2.9'	78	0.9'	0.8'	3'	3.0'	118	0.8'	0.6'	2'	3.5'	94	1.1'	0.6'
				8'	47	1.1'	1.1'	7'	4.0'	40	1.3'	1.1'	5'	5.0'	42	1.4'	1.0'	3'	5.2'	42	1.7'	0.8'
				10'	30	1.4'	1.4'	9'	5.2'	24	1.7'	1.5'	7'	7.0'	22	2.0'	1.4'	4'	6.9'	23	2.3'	1.1'
				12'	21	1.7'	1.7'	11'	6.4'	16	2.1'	1.8'	9'	9.0'	13	2.5'	1.8'	5'	8.7'	15	2.8'	1.4'
 35W PAR20 FL (Halogen)	30°	900	2,500	3'	100	1.6'	1.6'	3'	1.7'	65	2.2'	1.6'	2'	2.0'	80	2.3'	1.5'	1'	1.7'	113	2.7'	1.1'
				5'	38	2.7'	2.7'	5'	2.9'	23	3.7'	3.1'	3'	3.0'	35	3.5'	2.3'	2'	3.5'	28	5.5'	2.1'
				7'	18	3.8'	3.8'	7'	4.0'	12	5.1'	4.3'	4'	4.0'	20	4.6'	3.0'	3'	5.2'	13	8.2'	3.2'
				9'	11	4.8'	4.8'	9'	5.2'	7	6.6'	5.6'	5'	5.0'	13	5.8'	3.8'	4'	6.9'	7	10.9'	4.3'
 35W PAR20 WFL (Halogen)	40°	600	2,500	3'	67	2.2'	2.2'	3'	1.7'	43	3.0'	2.5'	2'	2.0'	53	3.4'	2.1'	1'	1.7'	75	4.8'	1.5'
				5'	24	3.6'	3.6'	5'	2.8'	16	5.1'	4.2'	3'	3.0'	24	5.0'	3.1'	2'	3.5'	19	9.7'	2.9'
				7'	12	5.1'	5.1'	7'	4.0'	8	7.1'	5.9'	4'	4.0'	13	6.7'	4.1'	3'	5.2'	8	14.5'	4.4'
				9'	7	6.6'	6.6'	9'	5.2'	5	9.1'	7.6'	5'	5.0'	8	8.4'	5.1'	4'	6.9'	5	19.3'	5.8'
 50W PAR20 NSP (Halogen)	8°	6,000	2,000	6'	167	0.8'	0.8'	5'	2.9'	156	0.9'	0.8'	3'	3.0'	236	0.8'	0.6'	2'	3.5'	188	1.1'	0.6'
				8'	94	1.1'	1.1'	7'	4.0'	80	1.3'	1.1'	5'	5.0'	85	1.4'	1.0'	3'	5.2'	83	1.7'	0.8'
				10'	60	1.4'	1.4'	9'	5.2'	48	1.7'	1.5'	7'	7.0'	43	2.0'	1.4'	4'	6.9'	47	2.3'	1.1'
				12'	42	1.7'	1.7'	11'	6.4'	32	2.1'	1.8'	9'	9.0'	26	2.5'	1.8'	5'	8.7'	30	2.8'	1.4'
 50W PAR20 SP (Halogen)	15°	3,200	2,000	6'	89	1.6'	1.6'	5'	2.9'	83	1.8'	1.5'	3'	3.0'	126	1.6'	1.1'	2'	3.5'	100	2.2'	1.1'
				8'	50	2.1'	2.1'	7'	4.0'	42	2.5'	2.1'	5'	5.0'	45	2.7'	1.9'	3'	5.2'	44	3.3'	1.6'
				10'	32	2.8'	2.8'	9'	5.2'	26	3.2'	2.7'	7'	7.0'	23	3.8'	2.6'	4'	6.9'	25	4.4'	2.1'
				12'	22	3.2'	3.2'	11'	6.4'	17	3.9'	3.3'	9'	9.0'	14	4.8'	3.4'	5'	8.7'	16	5.6'	2.6'
 50W PAR20 NFL (Halogen)	27°	1,850	2,000	4'	116	1.9'	1.9'	3'	1.7'	134	2.0'	1.7'	3'	3.0'	73	3.1'	2.0'	1'	1.7'	231	2.3'	1.0'
				6'	51	2.9'	2.9'	5'	2.9'	48	3.3'	2.8'	4'	4.0'	41	4.1'	2.7'	2'	3.5'	58	4.8'	1.9'
				8'	29	3.8'	3.8'	7'	4.0'	25	4.6'	3.9'	5'	5.0'	26	5.1'	3.4'	3'	5.2'	26	7.0'	2.9'
				10'	19	4.8'	4.8'	9'	5.2'	15	5.9'	5.0'	6'	6.0'	18	6.1'	4.1'	4'	6.9'	14	9.3'	3.8'

**LIGHTOLIER**

**Job Information** **Type:**

Lightolier a Genlyte Thomas Company www.lightolier.com  
 631 Airport Road, Fall River, MA 02720 • (508) 679-8131 • Fax (508) 674-4710  
 We reserve the right to change details of design, materials and finish.  
 © 2002 Genlyte Thomas Group LLC (Lightolier Division) • A0902