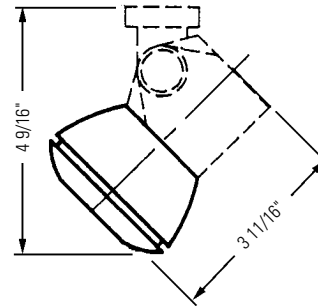
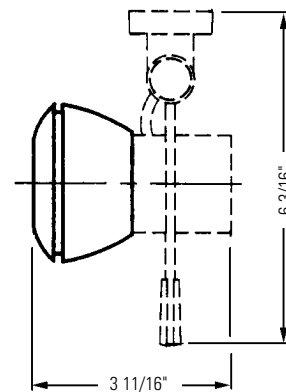


**BEZEL 16 WITH LOW PROFILE ADAPTER**



**BEZEL 16 WITH HINGED ADAPTER**



**Ordering Information**

Catalog No.	Finishes	Mounting	Lamps
8217WH 8217BK	Matte White Matte Black	All Lytespan Track Systems	60W PAR16 Sylvania lamps only

**Features**

- Shade Attachment:** Zinc plated and painted C.R. steel. Bayonet fitting.
- Shade:** Die-cast aluminum.
- Front Bezel:** High temperature Ultem®. Integral color. Removes extraneous spill light.
- Shade Rear Vents:** Aligns with Adapter's vents for effective air circulation.
- Color Accent Ring:** Silicone rubber.

**Options & Accessories**

2" Beam Smoother and Beam Elongator. All require Accessory Holder 8591. See Lightolier Specification Sheets AF2LF and AF2AS. Do not use with AL2HC louver.

**Finish**

All painted finishes baked enamel.

**Labels**

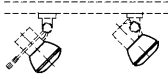
UL; I.B.E.W.

**Patents**

Products shown here are protected by applicable patents and patents pending.

Ultem® is a trademark of General Electric.

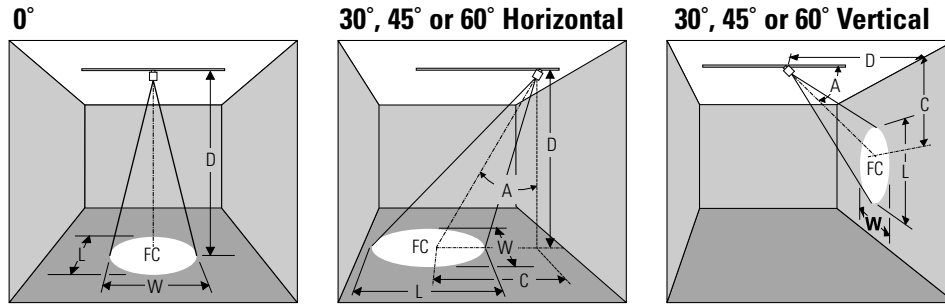
Job Information	Type:
<b>Job Name:</b>	
<b>Cat. No.:</b>	
<b>Lamp(s):</b>	
<b>Notes:</b>	



## Lighting Data Aiming Angle

- L** Beam Length
- W** Beam Width
- C** Distance to center beam
- D** Distance
- A** Aiming Angle
- FC** Footcandles

L and W are the outer points where the candle power drops to 50% of the maximum. FC are the initial footcandles at the center of the beam.



### LAMP

0° AIMING ANGLE

A=30° AIMING ANGLE

A=45° AIMING ANGLE

A=60° AIMING ANGLE

<b>Job Information</b>	<b>Type:</b>
------------------------	--------------

**Lightolier** a Genlyte company www.lightolier.com  
 631 Airport Road, Fall River, MA 02720 • (508) 679-8131 • Fax (508) 674-4710  
 We reserve the right to change details of design, materials and finish.  
 © 2007 Genlyte Group LLC • B0507

LIGHTOLIER®