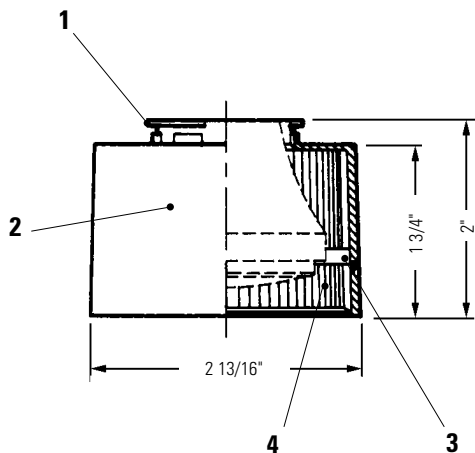
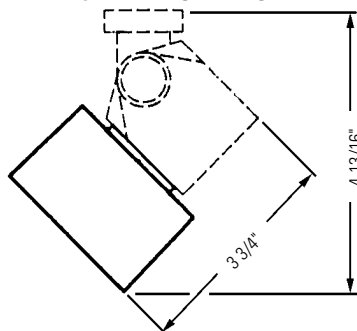


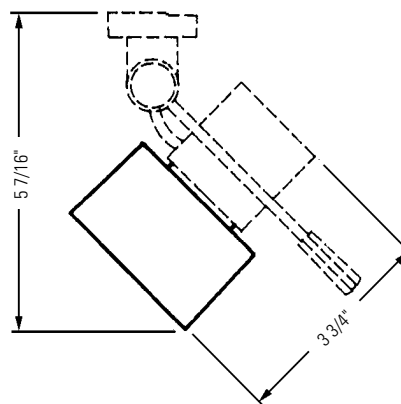
8216WH
8216BK



CYLINDER 16 WITH LOW PROFILE ADAPTER



CYLINDER 16 WITH HINGED ADAPTER



Ordering Information

Catalog No.	Finishes	Mounting	Lamps
8216WH 8216BK	Matte White Matte Black	All Lytespan Track Systems	75W PAR16 (Tungsten-Halogen) (60W Max. with Accessories)

Features

- Shade Attachment:** Zinc plated and painted C.R. steel. Bayonet fitting.
- Shade:** Single piece die-cast aluminum.
- Mounting Groove:** For accessory holder.
- Integral Verti-Grooves:** With black inside finish for glare control.

Options & Accessories

2" Beam Smoother and Beam Elongator. All require Accessory Holder 8581. See Lightolier Specification Sheets AF2LF and AF2AS. Do not use with AL2HC louver.

Finish

All painted finishes baked enamel.

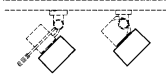
Labels

UL; I.B.E.W.

Patents

Products shown here are protected by applicable patents and patents pending.

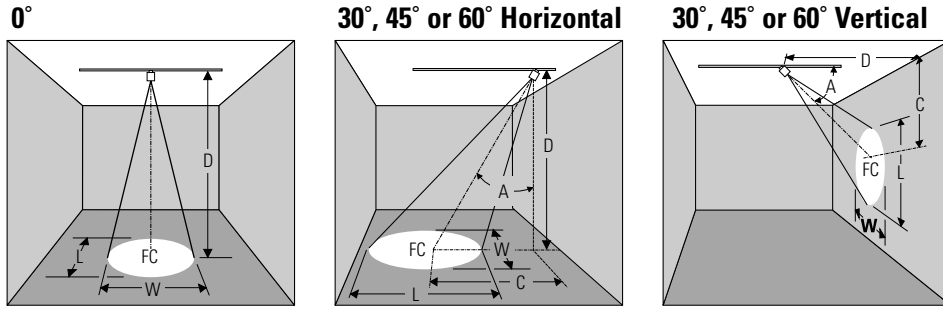
Job Information	Type:
Job Name:	
Cat. No.:	
Lamp(s):	
Notes:	



Lighting Data Aiming Angle

- L** Beam Length
- W** Beam Width
- C** Distance to center beam
- D** Distance
- A** Aiming Angle
- FC** Footcandles

L and W are the outer points where the candle power drops to 50% of the maximum. FC are the initial footcandles at the center of the beam.



LAMP

	Beam Spread 50% Max. CP	Beam Center C.P. Candelas	Rated Life-Hrs	0° AIMING ANGLE				A=30° AIMING ANGLE				A=45° AIMING ANGLE				A=60° AIMING ANGLE						
				D	FC	L	W	D	C	FC	L	W	D	C	FC	L	W	D	C	FC	L	W
 60W PAR16 NSP (Halogen)	10°	5,000	2,000	6'	139	1.0'	1.0'	5'	2.9'	130	1.2'	1.0'	3'	3.0'	196	1.1'	0.7'	2'	3.5'	156	1.4'	0.7'
				8'	78	1.4'	1.4'	7'	4.0'	65	1.6'	1.4'	5'	5.0'	71	1.6'	1.2'	3'	5.2'	69	2.1'	1.0'
				10'	50	1.7'	1.7'	9'	5.2'	40	2.1'	1.8'	7'	7.0'	36	2.5'	1.7'	4'	6.9'	39	2.9'	1.4'
				12'	35	2.1'	2.1'	11'	8.4'	27	2.8'	2.2'	9'	9.0'	22	3.2'	2.2'	5'	8.7'	25	3.6'	1.7'
 60W PAR16 NFL (Halogen)	30°	1,300	2,000	3'	144	1.6'	1.6'	3'	1.7'	94	2.2'	1.0'	2'	2.0'	115	2.3'	1.5'	1'	1.7'	163	2.7'	1.1'
				5'	52	2.7'	2.7'	5'	2.9'	34	3.7'	3.1'	3'	3.0'	51	3.5'	2.3'	2'	3.5'	41	5.5'	2.1'
				7'	27	3.6'	3.8'	7'	4.0'	17	5.1'	4.3'	4'	4.0'	29	4.6'	3.0'	3'	5.2'	18	6.2'	3.2'
 75W PAR16 NSP (Halogen)	10°	7,500	2,000	7'	153	1.2'	1.2'	6'	3.5'	135	1.4'	1.2'	4'	4.0'	166	1.4'	1.0'	2'	3.5'	234	1.4'	0.7'
				10'	75	1.7'	1.7'	9'	5.2'	60	2.1'	1.8'	6'	6.0'	74	2.1'	1.5'	3'	5.2'	104	2.1'	1.0'
				13'	44	2.3'	2.3'	12'	6.9'	34	2.8'	2.4'	9'	9.0'	41	2.8'	2.0'	4'	6.9'	59	2.9'	1.4'
				16'	29	2.8'	2.8'	13'	8.7'	22	3.5'	3.0'	10'	10.0'	27	3.5'	2.5'	5'	8.7'	38	3.6'	1.7'
 75W PAR16 NFL (Halogen)	30°	1,900	2,000	4'	119	2.1'	2.1'	3'	1.7'	137	2.2'	1.9'	3'	3.0'	75	3.5'	2.3'	1'	1.7'	238	2.7'	1.1'
				6'	53	3.2'	3.2'	5'	2.9'	49	3.7'	3.1'	4'	4.0'	42	4.6'	3.0'	2'	3.5'	59	5.5'	2.1'
				8'	30	4.3'	4.3'	7'	4.0'	25	5.1'	4.3'	5'	5.0'	27	5.8'	5.8'	3'	5.2'	26	8.2'	3.2'
				10'	19	5.4'	5.4'	9'	5.2'	15	6.6'	5.6'	6'	6.0'	19	6.9'	4.5'	4'	6.9'	15	10.9'	4.3'

Job Information

Type:

Lightolier a Genlyte Thomas Company www.lightolier.com
 631 Airport Road, Fall River, MA 02720 • (508) 679-8131 • Fax (508) 674-4710
 We reserve the right to change details of design, materials and finish.
 © 2002 Genlyte Thomas Group LLC (Lightolier Division) • A0902

LIGHTOLIER®