

**Ordering Information**

Catalog No.	Mountings	Finish	Lamps
6350	All Lytespan Track Systems	Matte Black	75W PAR30
6352		Matte White	

**Features**

- Lytespan Attachment Fitting:** die-cast zinc alloy.
- Housing:** .040" aluminum.
- Step Baffle:** compression-molded high heat phenolic with stepped conical surface for low brightness. Integral black finish.
- Lever:** locks attachment fitting electrically and mechanically anywhere along track.
- Movable Brass Contact:** extends for connection to 2nd circuit in Advent Lytespan Track.
- Swivel:** die-cast zinc alloy. 350° horizontal adjustment.
- Pivot Mounting:** tensioned with built-in stop, provides 90° vertical adjustment.

**Electrical**

Porcelain socket, medium base, nickel plated screw shell.  
No. 18 braided SF-1 leads.

**Finish**

All painted finishes baked enamel.

**Labels**

UL, I.B.E.W.

US Patent No. 3,496,518. Foreign patents granted.

Job Information	Type:
<b>Job Name:</b>	
<b>Cat. No.:</b>	
<b>Lamp(s):</b>	
<b>Volts/Ballast:</b>	

**Lightolier** a Genlyte Thomas Company [www.lightolier.com](http://www.lightolier.com)  
 Technical Information: (978) 657-7600 • Fax (978) 658-0595  
 631 Airport Road, Fall River, MA 02720 • (508) 679-8131 • Fax (508) 674-4710  
 We reserve the right to change details of design, materials and finish.  
 © 2002 Genlyte Thomas Group LLC (Lightolier Division)  
 A0902

**LIGHTOLIER®**

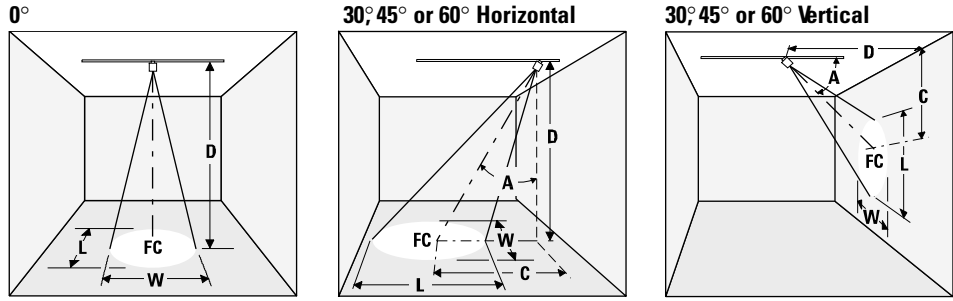


## Lighting Data

### Aiming Angle:

- L** Beam length
- W** Beam Width
- C** Distance to center beam
- D** Distance
- A** Aiming angle
- FC** Footcandles

**L** and **W** are the outer points where the candle power drops to 50% of the maximum. **FC** are the initial footcandles at the center of the beam.



### LAMP

Lamp Type	Beam Spread 50% Max. CP	Beam Center C.P. Candelas	Rated Life-Hrs
50W PAR30 NSP (Halogen)	8°	9,200	2,000
50W PAR30 NSP (Halogen-IR)	8°	17,000	3,000
50W PAR30 NFL (Halogen)	25°	2,000	2,000
50W PAR30 NFL (Halogen-IR)	25°	3,000	3,000
50W PAR30 FL (Halogen)	35°	1,400	2,500
50W PAR30 FL (Halogen-IR)	37°	1,600	3,000
75W PAR30 NSP (Halogen)	9°	14,000	2,500
75W PAR30 NFL (Halogen)	30°	3,200	2,500
75W PAR30 FL (Halogen)	40°	2,000	2,500

### 0° AIMING ANGLE

D	FC	L	W
7"	188	1.0"	1.0"
10"	92	1.4"	1.4"
13"	54	1.8"	1.8"
16"	36	2.2"	2.2"
8"	266	1.1"	1.1"
12"	118	1.7"	1.7"
16"	66	2.2"	2.2"
20"	43	2.8"	2.8"
4"	125	1.8"	1.8"
6"	58	2.7"	2.7"
8"	31	3.5"	3.5"
10"	20	4.4"	4.4"
6"	83	2.7"	2.7"
8"	47	3.5"	3.5"
10"	30	4.4"	4.4"
12"	21	5.3"	5.3"
3"	158	1.9"	1.9"
5"	56	3.2"	3.2"
7"	29	4.4"	4.4"
9"	17	5.7"	5.7"
3"	178	2.0"	2.0"
5"	64	3.3"	3.3"
7"	33	4.7"	4.7"
9"	20	6.0"	6.0"
8"	219	1.3"	1.3"
12"	97	1.9"	1.9"
16"	55	2.5"	2.5"
20"	35	3.1"	3.1"
6"	89	3.2"	3.2"
8"	50	4.3"	4.3"
10"	32	5.4"	5.4"
12"	22	6.4"	6.4"
4"	125	2.9"	2.9"
6"	56	4.4"	4.4"
8"	31	5.8"	5.8"
10"	20	7.3"	7.3"

### A=30° AIMING ANGLE

D	C	FC	L	W
6"	3.5"	166	1.1"	1.0"
9"	5.2"	74	1.7"	1.5"
12"	6.9"	41	2.2"	1.9"
15"	8.7"	27	2.8"	2.4"
7"	4.0"	225	1.3"	1.1"
10"	5.8"	110	1.9"	1.6"
13"	7.5"	65	2.4"	2.1"
16"	9.2"	43	3.0"	2.6"
3"	1.7"	144	1.8"	1.5"
5"	2.9"	52	3.0"	2.6"
7"	4.0"	27	4.2"	3.6"
9"	5.2"	16	5.4"	4.5"
5"	2.9"	78	3.0"	2.6"
7"	4.0"	40	4.2"	3.6"
9"	5.2"	24	5.4"	4.6"
11"	6.4"	16	6.6"	5.6"
3"	1.7"	101	2.6"	2.2"
5"	2.9"	36	4.3"	3.6"
7"	4.0"	19	6.1"	5.1"
9"	5.2"	11	7.8"	6.6"
3"	1.7"	115	2.8"	2.3"
5"	2.9"	42	4.6"	3.9"
7"	4.0"	21	6.5"	5.4"
9"	5.2"	13	8.3"	7.0"
7"	4.0"	186	1.5"	1.3"
10"	5.8"	91	2.1"	1.8"
13"	7.5"	54	2.7"	2.4"
16"	9.2"	36	3.4"	2.9"
5"	2.9"	83	3.7"	3.1"
7"	4.0"	42	5.1"	4.3"
9"	5.2"	26	6.6"	5.6"
11"	6.4"	17	8.1"	6.8"
3"	1.7"	144	3.0"	2.5"
5"	2.9"	52	5.1"	4.2"
7"	4.0"	27	7.1"	5.9"
9"	5.2"	16	9.1"	7.6"

### A=45° AIMING ANGLE

D	C	FC	L	W
4"	4.0"	203	1.1"	0.8"
6"	6.0"	90	1.7"	1.2"
8"	8.0"	51	2.2"	1.6"
10"	10.0"	33	2.8"	2.0"
5"	5.0"	240	1.4"	1.0"
7"	7.0"	123	2.0"	1.4"
9"	9.0"	74	2.5"	1.8"
11"	11.0"	50	3.1"	2.2"
3"	3.0"	79	2.8"	1.9"
4"	4.0"	44	3.7"	2.5"
5"	5.0"	28	4.7"	3.1"
6"	6.0"	20	5.6"	3.8"
3"	3.0"	118	2.8"	1.9"
5"	5.0"	42	4.7"	3.1"
7"	7.0"	22	6.5"	4.4"
9"	9.0"	12	8.4"	5.6"
2"	2.0"	124	2.8"	1.8"
3"	3.0"	55	4.2"	2.7"
4"	4.0"	31	5.6"	3.8"
5"	5.0"	20	7.0"	4.5"
2"	2.0"	141	3.0"	1.9"
3"	3.0"	63	4.5"	2.8"
4"	4.0"	35	6.0"	3.8"
5"	5.0"	23	7.5"	4.7"
5"	5.0"	198	1.6"	1.1"
7"	7.0"	101	2.2"	1.6"
9"	9.0"	61	2.9"	2.0"
11"	11.0"	41	3.5"	2.4"
3"	3.0"	126	3.5"	2.3"
5"	5.0"	45	5.8"	3.8"
7"	7.0"	23	8.1"	5.3"
9"	9.0"	14	10.4"	6.8"
3"	3.0"	79	5.0"	3.1"
4"	4.0"	44	6.7"	4.1"
5"	5.0"	28	8.4"	5.1"
6"	6.0"	20	10.1"	6.1"

### A=60° AIMING ANGLE

D	C	FC	L	W
2"	3.5"	288	1.1"	0.6"
3"	5.2"	128	1.7"	0.8"
4"	6.9"	72	2.3"	1.1"
5"	8.7"	46	2.8"	1.4"
3"	5.2"	236	1.7"	0.8"
4"	6.9"	133	2.3"	1.1"
5"	8.7"	85	2.8"	1.4"
6"	10.4"	59	3.4"	1.7"
1"	1.7"	250	2.1"	0.9"
2"	3.5"	63	4.2"	1.8"
3"	5.2"	28	6.2"	2.7"
4"	6.9"	16	8.3"	3.5"
2"	3.5"	94	4.2"	1.8"
3"	5.2"	42	6.2"	2.7"
4"	6.9"	23	8.3"	3.5"
5"	8.7"	15	10.4"	4.4"
1"	1.7"	175	3.6"	1.3"
2"	3.5"	44	7.2"	2.5"
3"	5.2"	19	10.8"	3.8"
4"	6.9"	11	14.4"	5.0"
1"	1.7	200	4.0"	1.3"
2"	3.5"	50	8.1"	2.7"
3"	5.2"	22	12.1"	4.0"
4"	6.9"	13	18.1"	5.4"
3"	5.2"	184	1.9"	0.9"
4"	6.8"	109	2.6"	1.3"
5"	8.7"	70	3.2"	1.6"
6"	10.4"	49	3.8"	1.9"
2"	3.5"	100	5.5"	2.1"
3"	5.2"	44	8.2"	3.2"
4"	6.9"	25	10.9"	4.3"
5"	8.7"	16	13.7"	5.4"
1"	1.7"	250	4.8"	1.5"
2"	3.5"	63	9.7"	2.9"
3"	5.2"	28	14.5"	4.4"
4"	6.9"	16	19.3"	5.8"

### Job Information

### Type:

Lightolier a Genlyte Thomas Company [www.lightolier.com](http://www.lightolier.com)  
 Technical Information: (978) 657-7600 • Fax (978) 658-0595  
 631 Airport Road, Fall River, MA 02720 • (508) 679-8131 • Fax (508) 674-4710  
 We reserve the right to change details of design, materials and finish.  
 © 2002 Genlyte Thomas Group LLC (Lightolier Division)  
 A0902

**LIGHTOLIER®**