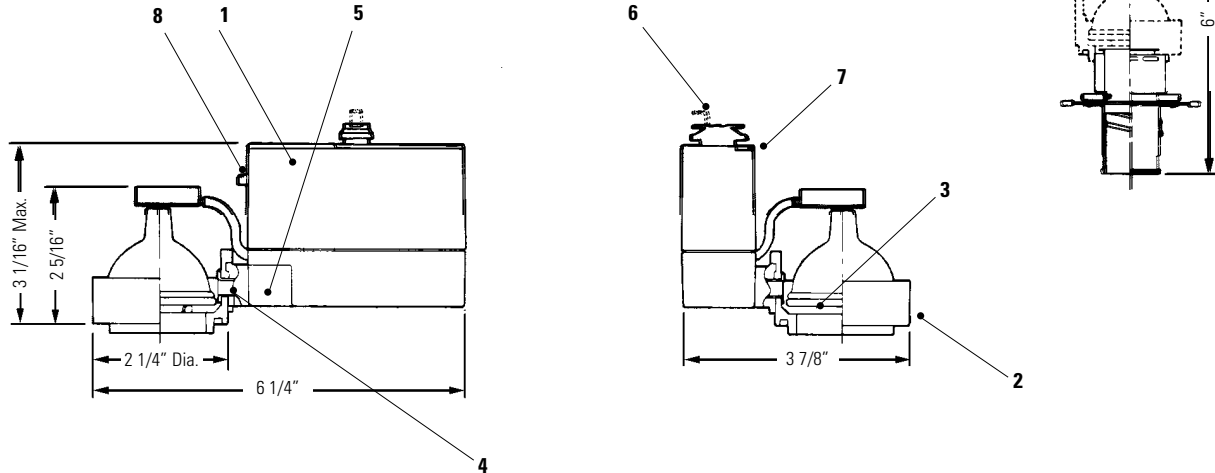


**Framing Projector  
Accessory  
(Order Separately)**

6296  
6297  
6497



### Ordering Information

Catalog No.	Mounting	Finish	Lamps
6296	All Lytespan Track Systems	Matte White	20W-65W, MR-16 12V
6297		Matte Black	
6497	Matte Black Framing Projector (For performance data see Lightolier Specification Sheet 6497)		

### Features

- Transformer Housing:** Die-cast aluminum. Fitter twists onto track and locks on.
- Housing:** Die-cast aluminum.
- Lamp Guard:** Tempered glass.
- Trunion Mounting:** Tensioned, provides 90° vertical adjustment for lighting unit.
- Pivot Mounting:** Tensioned; 90° horizontal stop for each side.
- Movable Brass Contact:** Extends for connection to 2nd circuit in Advent Lytespan Track.
- Polarity Key**
- Push Tab:** Molded polycarbonate. Detaches unit.

### Electrical/Dimming

Light-weight, electronic, low voltage transformer with integral radio frequency interface filter; soft-start feature for longer lamp life. Constant output lamp voltage to maintain rated lamp life and light output. Two-pin base socket, pre-wired with No. 18 braided SF-1 leads with fiberglass braided outer sleeve. For dimming control, use only those dimmers specifically designed for use with electronic transformers like Lightolier's Sunrise and Neptune Momentum QE series. Call (800) 526-2731 for further information.

### Options and Accessory

2" Series Color Filters and Spread Lens; Louver No. 7472.

### Finish

All painted finishes baked enamel.

### Labels

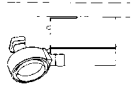
UL, I.B.E.W.

### Patents

U.S. Patent No. 3,496,518. Foreign patents granted.

Job Information	Type:
<b>Job Name:</b>	
<b>Cat. No.:</b>	
<b>Lamp(s):</b>	
<b>Notes:</b>	

Lightolier a Genlyte company www.lightolier.com  
 631 Airport Road, Fall River, MA 02720 • (508) 679-8131 • Fax (508) 674-4710  
 We reserve the right to change details of design, materials and finish.  
 © 2007 Genlyte Group LLC • C0607

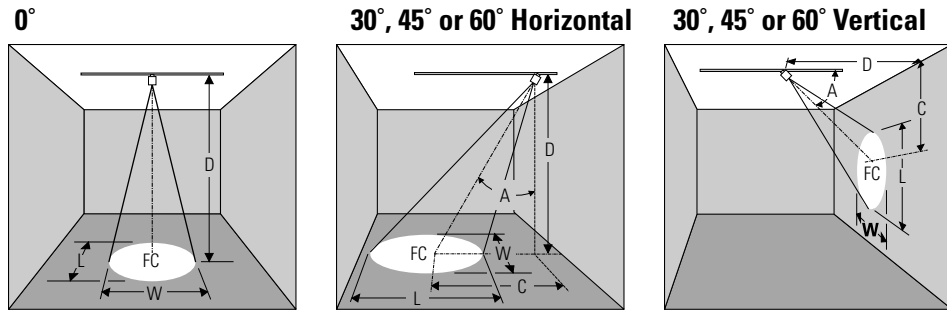


## Lighting Data

### Aiming Angle

**L** Beam Length  
**W** Beam Width  
**C** Distance to center beam  
**D** Distance  
**A** Aiming Angle  
**FC** Footcandles

**L** and **W** are the outer points where the candle power drops to 50% of the maximum. **FC** are the initial footcandles at the center of the beam.



Beam Spread 50% Max. CP	Beam Center C.P. Candelas	Rated Life-Hrs	0°				30°, 45° or 60° Horizontal				30°, 45° or 60° Vertical										
			D	FC	L	W	D	C	FC	L	W	D	C	FC	L	W					
20W MR16 VN <sup>SP</sup> (T-H) (EZ <sup>X</sup> ) 7°	8,200	3,000	7'	167	0.9'	0.9'	6'	3.5'	148	1.0'	0.8'	4'	4.0'	181	1.0'	0.7'	2'	3.5'	256	1.0'	0.5'
			10'	62	1.2'	1.2'	8'	5.2'	66	1.5'	1.3'	6'	6.0'	61	1.5'	1.0'	3'	5.2'	114	1.5'	0.7'
			13'	49	1.6'	1.6'	12'	6.9'	37	2.0'	1.7'	8'	8.0'	45	2.0'	1.4'	4'	6.9'	64	2.0'	1.0'
			16'	32	2.0'	2.0'	15'	8.7'	24	2.4'	2.1'	10'	10.0'	29	2.5'	1.7'	5'	8.7'	41	2.5'	1.2'
20W MR16 NS <sup>P</sup> (T-H) (ES <sup>X</sup> ) 13°	3,600	3,000	6'	100	1.4'	1.4'	5'	2.9'	84	1.5'	1.3'	3'	3.0'	141	1.4'	1.0'	2'	3.5'	113	1.9'	0.9'
			8'	56	1.8'	1.8'	7'	4.0'	48	2.1'	1.8'	5'	5.0'	51	2.3'	1.6'	3'	5.2'	50	2.8'	1.4'
			10'	36	2.3'	2.3'	9'	5.2'	29	2.7'	2.4'	7'	7.0'	26	3.2'	2.3'	4'	6.9'	28	3.8'	1.8'
			12'	25	2.7'	2.7'	11'	6.4'	19	3.4'	2.9'	9'	9.0'	16	4.2'	2.9'	5'	8.7'	18	4.7'	2.3'
20W MR16 FL (T-H) (BA <sup>B</sup> ) 40°	525	4,000	2'	131	1.5'	1.5'	2'	1.2'	85	2.0'	1.7'	2'	2.0'	46	3.4'	2.1'	1'	1.7'	66	4.8'	1.5'
			3'	58	2.2'	2.2'	3'	1.7'	38	3.0'	2.5'	3'	3.0'	21	5.0'	3.1'	2'	3.5'	16	9.7'	2.9'
			4'	33	2.9'	2.9'	4'	2.3'	21	4.1'	3.4'	4'	4.0'	12	6.7'	4.1'	3'	5.2'	7	14.5'	4.4'
			5'	21	3.6'	3.6'	5'	2.9'	14	5.1'	4.2'	5'	5.0'	7	8.4'	5.1'	4'	6.8'	4	19.3'	5.8'
35W MR16 NS <sup>P</sup> (T-H) (FR <sup>B</sup> ) 12°	6,700	4,000	7'	178	1.5'	1.5'	6'	3.5'	157	1.7'	1.5'	4'	4.0'	192	1.7'	1.2'	2'	3.5'	272	1.7'	0.8'
			10'	87	2.1'	2.1'	9'	5.2'	70	2.5'	2.2'	6'	6.0'	65	2.6'	1.8'	3'	5.2'	121	2.6'	1.3'
			13'	51	2.7'	2.7'	12'	6.9'	39	3.4'	2.9'	8'	8.0'	48	3.4'	2.4'	4'	6.9'	68	3.5'	1.7'
			16'	34	3.4'	3.4'	15'	8.7'	25	4.2'	3.6'	10'	10.0'	31	4.3'	3.0'	5'	8.7'	44	4.3'	2.1'
35W MR16 SP (T-H) (FR <sup>A</sup> ) 20°	3,900	4,000	6'	108	2.1'	2.1'	5'	2.9'	101	2.4'	2.0'	3'	3.0'	153	2.2'	1.5'	2'	3.5'	122	3.1'	1.4'
			8'	61	2.8'	2.8'	7'	4.0'	52	3.3'	2.9'	5'	5.0'	55	3.6'	2.5'	3'	5.2'	54	4.7'	2.1'
			10'	39	3.5'	3.5'	9'	5.2'	31	4.3'	3.7'	7'	7.0'	28	5.1'	3.5'	4'	6.9'	30	6.2'	2.8'
			12'	27	4.2'	4.2'	11'	6.4'	21	5.2'	4.5'	9'	9.0'	17	6.6'	4.5'	5'	8.7'	20	7.8'	3.5'
42W MR16 VN <sup>SP</sup> (T-H) (EZ <sup>Y</sup> ) 9°	13,100	3,500	8'	205	1.3'	1.3'	7'	4.0'	174	1.5'	1.3'	5'	5.0'	165	1.6'	1.1'	3'	5.2	182	1.9'	0.9'
			12'	91	1.9'	1.9'	10'	5.8'	85	2.1'	1.8'	7'	7.0'	95	2.2'	1.6'	4'	6.9'	102	2.6'	1.3'
			16'	51	2.5'	2.5'	13'	7.5'	50	2.7'	2.4'	9'	9.0'	57	2.9'	2.0'	5'	8.7'	66	3.2'	1.6'
			20'	33	3.1'	3.1'	16'	9.2'	33	3.4'	2.9'	11'	11.0'	38	3.5'	2.4'	6'	10.4'	45	3.8'	1.9'
50W MR16 NFL (T-H) (EX <sup>Z</sup> ) 27°	3,400	4,000	6'	94	2.8'	2.9'	5'	2.9'	88	3.3'	2.8'	3'	3.0'	134	3.1'	2.0'	2'	3.5'	106	4.6'	1.9'
			8'	53	3.8'	3.8'	7'	4.0'	45	4.6'	3.9'	5'	5.0'	48	5.1'	3.4'	3'	5.2'	47	7.0'	2.9'
			10'	34	4.8'	4.8'	9'	5.2'	27	5.9'	5.0'	7'	7.0'	25	7.1'	4.8'	4'	6.9'	27	9.3'	3.6'
			12'	24	5.8'	5.8'	11'	6.4'	18	7.2'	6.1'	9'	9.0'	15	9.2'	6.1'	5'	8.7'	17	11.6'	4.6'
50W MR16 FL (T-H) (EX <sup>N</sup> ) 40°	1,650	4,000	4'	118	2.9'	2.9'	3'	1.7'	134	3.0'	2.5'	3'	3.0'	73	5.0'	3.1'	1'	1.7'	231	4.8'	1.5'
			6'	51	4.4'	4.4'	5'	2.9'	48	5.1'	4.2'	4'	4.0'	41	6.7'	4.1'	2'	3.5'	58	9.7'	2.9'
			8'	29	5.8'	5.8'	7'	4.0'	25	7.1'	5.9'	5'	5.0'	26	8.4'	5.1'	3'	5.2'	26	14.5'	4.4'
			10'	19	7.3'	7.3'	9'	5.7'	15	9.1'	7.6'	6'	6.0'	18	10.1'	6.2'	4'	6.9'	14	19.3'	5.8'
50W MR16 WFL (T-H) (FN <sup>V</sup> ) 55°	1,150	4,000	3'	128	3.1'	3.1'	3'	1.7'	83	4.6'	3.6'	2'	2.0'	102	5.7'	2.9'	1'	1.7'	144	22.3'	2.1'
			5'	46	5.2'	5.2'	5'	2.9'	30	7.6'	6.0'	3'	3.0'	45	8.6'	4.4'	2'	3.5'	36	44.5'	4.2'
			7'	23	7.3'	7.3'	7'	4.0'	15	10.7'	8.4'	4'	4.0'	25	11.4'	5.9'	3'	5.2'	16	66.8'	6.2'
			9'	14	8.4'	9.4'	9'	5.2'	9	13.7'	10.8'	5'	5.0'	16	14.3'	7.4'	4'	6.9'	9	69.1'	8.3'

**Job Information** **Type:**

Lightolier a Genlyte company www.lightolier.com  
 631 Airport Road, Fall River, MA 02720 • (508) 679-8131 • Fax (508) 674-4710  
 We reserve the right to change details of design, materials and finish.  
 © 2007 Genlyte Group LLC • C0607

**LIGHTOLIER®**