

### Ordering Information

Catalog No.	Finish	Mounting	Lamps
23F39T6AL 23F39T6BK 23F39T6WH	Aluminum Black White	For use with Lytespan Radius, Basic and Advent Track. Not compatible with extension wands or slope ceiling adapters. For monopoint applications refer to spec sheet 6172.	39W T6 G12 Base Ceramic Metal Halide

### Features

- Track Attachment Fitting:** Locking lever for mechanical/electrical connection.
- Brass Contact:** Extends for connection to second circuit (Advent track only).
- Horizontal Pivot:** Wireless stem profile with 365° horizontal rotation. Position may be locked using an allen key.
- Vertical Pivot:** 0-90° vertical adjustment with aiming indicator. Position may be locked using an allen key.
- Fixture Housing:** Die cast aluminum
- Ballast Housing:** Molded polycarbonate
- Lamp Cartridge:** Allows easy side relamping without removal of glass shield.
- Safety Lens:** Tempered 1/8" glass. Meets or exceeds UL safety requirement for metal halide lamps.
- On/Off Switch:** Rocker switch to disconnect power to the ballast.
- Safety Locking Lever:** Locks ballast housing to track.

### Finish

All Painted finishes are baked enamel.

### Accessories

None

### Electrical

Electronic Ballast  
 Input Voltage: 120V  
 Power Factor: 0.9  
 Input Power: 45W  
 Max. Input Current: 0.40A  
 ANSI Code: M130  
 Do not use on dimming circuit.

### Labels

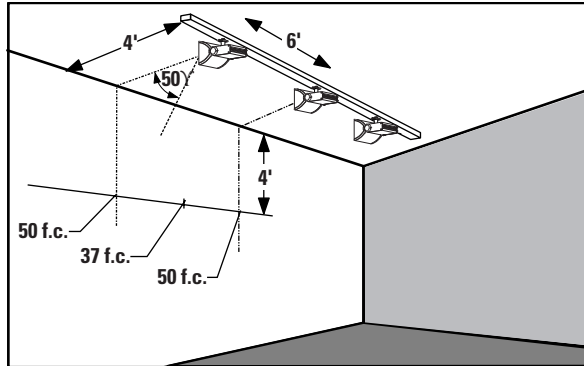
UL, cUL

Job Information	Type:
<b>Job Name:</b>	
<b>Cat. No.:</b>	
<b>Lamp(s):</b>	
<b>Notes:</b>	

631 Airport Road, Fall River, MA 02720 • (508) 679-8131 • Fax (508) 674-4710  
 We reserve the right to change details of design, materials and finish.  
 www.lightolier.com © 2008 Philips Group • B0308

## Lighting Data

Footcandles on wall:



### Lamp Information:

70W CDM T6 Single Ended Metal Halide.

Initial Lumens: 6600

CRI: 82

Rated Avg. life: 9,000 - 15,000 hrs.

For 39W Multiply by 0.5.

**EXAMPLE:** With track located 4' from wall and multiple units spaced 8' on center and aimed 50° from horizontal, the illumination on wall 4' from ceiling will be 50.c. beneath units and 37 f.c. between units.

### Footcandles on Wall

#### Track 3 Feet From Wall

#### Single Unit

Distance From Ceiling	0' 1' 2' 3' 4' 5'					
	Beam Center					
1'	153	129	70	30	13	6
2'	127	111	73	38	16	6
3'	85	76	56	34	17	7
4'	57	51	40	28	16	9
5'	39	35	20	21	13	8
6'	26	25	20	16	11	7
7'	17	16	14	11	9	6
8'	12	11	10	8	7	5
9'	8	8	7	6	5	4

#### Multiple Units

4'	5'	6'
104 150 184	169 98 169	163 63 163
159 149 159	139 109 139	132 76 132
120 118 120	99 91 99	90 69 91
93 90 93	76 73 76	67 59 68
67 65 67	54 52 54	47 42 47
53 52 53	43 41 43	37 35 37
39 38 39	31 31 31	27 26 27
29 29 29	23 23 23	20 20 20
23 23 23	19 19 19	16 16 16

#### Track 4 Feet From Wall

#### Single Unit

Distance From Ceiling	0' 1' 2' 3' 4' 5'					
	Beam Center					
1'	72	67	46	24	9	3
2'	84	76	56	36	19	9
3'	65	61	48	34	21	11
4'	48	45	38	29	19	12
5'	35	33	28	23	17	11
6'	26	25	21	18	14	10
7'	20	19	17	14	11	8
8'	15	14	13	11	9	7
9'	11	11	10	9	7	6

#### Multiple Units

6'	8'	10'
77 57 77	76 23 76	75 7 75
91 72 91	87 37 87	86 15 86
74 69 74	67 41 67	66 21 66
60 57 60	50 37 50	49 22 49
47 45 47	38 32 38	36 21 36
38 36 38	31 26 31	28 19 28
31 28 31	24 21 24	21 16 21
24 22 24	19 17 19	16 13 16
19 18 19	15 14 15	13 11 13
15 14 15	12 11 12	10 9 10
12 11 12	10 9 10	8 7 8
10 9 10	8 7 8	6 6 6

Footcandles are average and rounded off and data for multiple units are based on a minimum of five units.

For 39W: Multiply values by 0.5      Rated Lamp Life 9,000 - 12,000 Hrs.

### Job Information

### Type:

631 Airport Road, Fall River, MA 02720 • (508) 679-8131 • Fax (508) 674-4710

We reserve the right to change details of design, materials and finish.

www.lightolier.com © 2008 Philips Group •B0308