

Ordering Information

Catalog No.	Finish	Mounting	Lamps
22WW4WH	Matte White	All Lytespan Track Systems.	120V Incandescent T4 mini can. (Clear Only)
22WW4BK	Matte Black	Does not mount on ProSpec Track.	150W Max.
22WW4AL	Metallic Aluminum		CC-8 filament recommended

Features

- Track Attachment Fitting:** Locking lever for mechanical/electrical connection
- Brass Contact:** Extends for connection to second circuit (Advent Lytespan track only)
- Horizontal Pivot:** Wireless stem profile with 365° horizontal rotation
- Vertical Pivot:** 0-90° vertical adjustment
- Housing:** Extruded aluminum
- Lamp Cartridge:** Allows easy side relamping without removal of glass shield
- Glass Shield:** Tempered 1/8" glass. Meets or exceeds UL requirements
- Socket:** Nickel plated minican screw base

Finish

All Painted finishes are baked enamel.

Dimming

Fixture may be used on a track with a dimmer.
Consult dimmer manufacturer for correct dimmer selection.

Accessories

- Accessory Holder:** None
Accessories: None
Lens: None
Vizor: 22VZ4

Labels

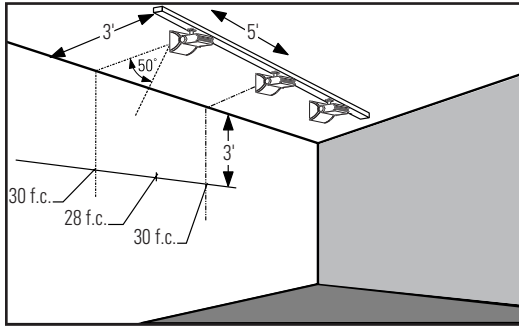
UL, cUL

Job Information	Type:
Job Name:	
Cat. No.:	
Lamp(s):	
Notes:	

631 Airport Road, Fall River, MA 02720 • (508) 679-8131 • Fax (508) 674-4710
 We reserve the right to change details of design, materials and finish.
 www.lightolier.com © 2008 Philips Group • 0208

Lighting Data

Footcandles on wall:



Lamp Information:
 120V, 150W T4 Clear
 Lumens: 2800
 Rated Avg. life: 2,000 hrs.

EXAMPLE: With track located 3' from wall and multiple units spaced 5' on center and aimed 50° from horizontal, the illumination on wall 3' from ceiling will be 30 f.c. beneath units and 28 f.c. between units.

Footcandles on Wall

Track 3 Feet From Wall

Single Unit

Distance From Ceiling	0' 1' 2' 3' 4' 5'					
	Beam Center					
1'	55	46	25	9	2	1
2'	43	37	24	11	4	1
3'	26	23	17	10	4	2
4'	16	14	11	7	4	2
5'	10	9	7	5	3	2
6'	7	6	5	4	3	2
7'	5	4	4	3	2	1
8'	3	3	3	2	2	1
9'	2	2	2	2	1	1

Multiple Units

4'		5'		6'				
59	53	59	56	35	56	55	19	55
52	51	52	46	38	46	44	24	44
36	36	36	30	28	30	28	20	28
25	24	25	20	19	20	18	16	18
18	17	18	15	14	15	12	11	12
13	13	13	11	10	11	9	8	9
10	9	10	8	8	8	7	6	7
7	7	7	6	6	6	5	5	5
6	6	6	5	5	5	4	4	4

Track 4 Feet From Wall

Single Unit

Distance From Ceiling	0' 1' 2' 3' 4' 5'					
	Beam Center					
1'	28	25	19	10	4	1
2'	29	26	20	12	6	3
3'	21	19	16	11	6	3
4'	15	13	11	9	6	3
5'	10	9	8	6	5	3
6'	7	7	6	5	4	3
7'	5	5	4	3	3	2
8'	4	4	3	3	2	1
9'	3	3	2	2	2	1

Multiple Units

4'		5'		6'				
37	40	37	31	31	31	29	22	29
43	43	43	35	34	35	31	26	31
35	36	35	28	29	28	24	23	24
27	27	27	21	22	21	18	18	18
20	20	21	16	16	16	14	13	14
15	15	15	13	12	13	11	10	11
12	12	12	10	9	10	8	8	8
9	9	10	8	8	8	7	6	7
7	7	8	6	6	6	5	5	5

Job Information

Type:

631 Airport Road, Fall River, MA 02720 • (508) 679-8131 • Fax (508) 674-4710
 We reserve the right to change details of design, materials and finish.
 www.lightolier.com © 2008 Philips Group • 0208