

READ AND UNDERSTAND THESE INSTRUCTIONS BEFORE INSTALLING FIXTURE

This fixture is intended for installation in accordance with the National Electrical Code and local regulations. To assure full compliance with local codes and regulations, check with your local electrical inspector before installation. To prevent electric shock, turn off electricity at fuse box before proceeding.

Retain these instructions for maintenance reference.

INSTALLATION PROCEDURE FOR: C4CEX (EXPO) SERIES H.I.D. SURFACE CYLINDER

STEP 1: Screw OUTLET BOX SCREWS (not provided) to 4" octagon outlet box, leaving about 1/4" space for engaging the MOUNTING PLATE.

STEP 2: Pass supply wires into large wire-way hole of MOUNTING PLATE.

STEP 3: Position key slots in MOUNTING PLATE onto the heads of OUTLET BOX SCREWS; shift housing into place and secure by tightening the screws firmly.

STEP 4: Make Connections. Bare Copper and/or green insulation wire(s) must be connected to SUPPLY GROUND. Connect WHITE BALLAST LEAD to NUETRAL (WHITE) SUPPLY LEAD. Connect BLACK BALLAST LEAD to HOT SUPPLY LEAD. Use wire nuts (local hardware items). Place wire nuts into outlet box.

STEP 5: Install BALLAST SUPPORT onto MOUNTING PLATE, secure with threaded CAP NUTS (DO NOT OVER TORQUE),

STEP 6: Install lamp. (Use only T4.5 metal halide lamp with G8.5 base).

STEP 7: Install LAMP BARRIER into the INNER GLASS assembly and secure with RETAINING SPRING.

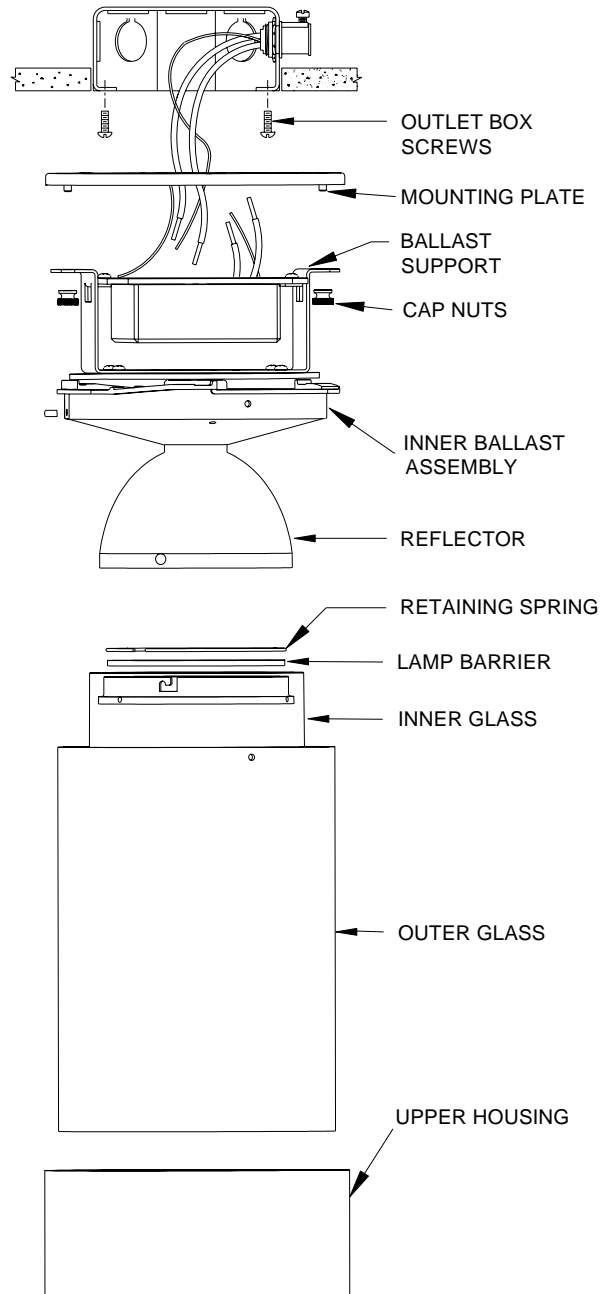
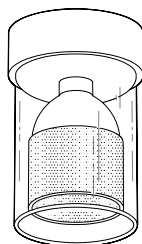
STEP 8: Attach the INNER GLASS assembly to the REFLECTOR by lining up the pins on the REFLECTOR and the slots on the INNER GLASS assembly and turn clockwise until tight.

STEP 9: Install OUTER GLASS by positioning over the INNER BALLAST ASSEMBLY and secure with three set screws

STEP 10: Position REFLECTOR HOUSING onto center stud, secure it with LOCK.

STEP 11: Slide the UPPER HOUSING over the OUTER GLASS and attach to the INNER BALLAST ASSEMBLY. Secure by twisting the housing clockwise until tight.

CAUTION: DO NOT ENERGIZE THE LAMP UNTIL THE FIXTURE IS COMPLETELY ASSEMBLED AND INSTALLED.



READ AND UNDERSTAND THESE INSTRUCTIONS BEFORE INSTALLING FIXTURE

This fixture is intended for installation in accordance with the National Electrical Code and local regulations. To assure full compliance with local codes and regulations, check with your local electrical inspector before installation. To prevent electric shock, turn off electricity at fuse box before proceeding.

Retain these instructions for maintenance reference.

INSTRUCTION SHEET NO.

IS:C4CEX

A0604

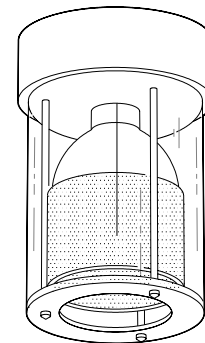
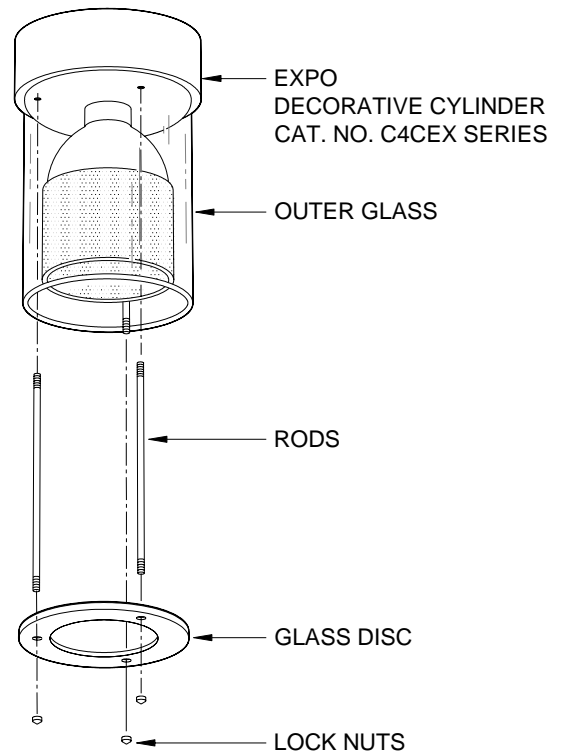
Page 2 of 2

**INSTALLATION PROCEDURE FOR: EXPO ROD/TRIM KIT (CAT. NO. CAEXPT)
H.I.D. SURFACE CYLINDER**

NOTE: EXPO Rod/Trim Kit can be installed without detaching outer glass.

STEP 1: Install ROD into threaded hole in EXPO DECORATIVE CYLINDER, repeat with the other two rods. Make sure rods are all the way in.

STEP 2: Align bottom end of RODS with holes in GLASS DISC, position GLASS DISC onto the bottom lip of OUTER GLASS, then secures with LOCK NUTS.



COMPLETED