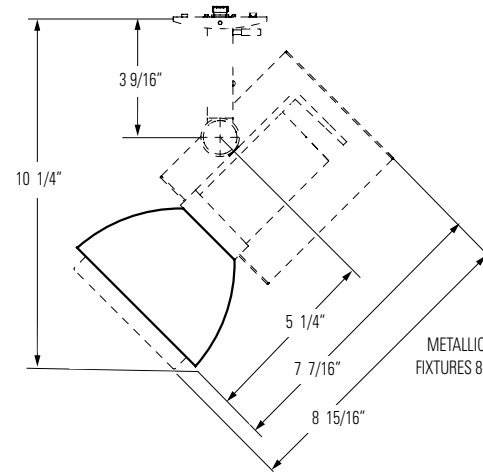


DOMES PAR 30 WITH METALLICS™ INCANDESCENT/HALOGEN FIXTURES 8701 & 28701 (PROSPEC)



DOMES PAR 30 WITH METALLICS™ ELECTRONIC METAL HALIDE FIXTURES 8704E, 8705E, & 28705E (PROSPEC)

Ordering Information

Catalog No.	Finishes	Lamps
8737 WH	Matte White	INCANDESCENT: PAR30 75W Max. (when used on fixtures 8701 & 28701)
8737 TM	Dark Titanium	METAL HALIDE: PAR30L 39W (When used on fixture 8704E)
8737 NM	Natural Metal	METAL HALIDE: PAR30L 70W (When used on fixtures 8705E & 28705E)

Features

- Shade:** Die-cast aluminum.
- Neck Flange:** Cold rolled steel, zinc-plated. Used to attach shade to fixture, without tools.
- Groove:** To connect optional Accessory Holder to shade.

Options and Accessories

Metallics™ PAR30 Accessory Holder (8783) & Accessories. Order separately (See Lightolier Specification Sheet 8783).

Finish

All painted finishes: White or Titanium baked enamel, or Brushed Metal with protective Clear Coat.

Labels

UL, I.B.E.W.

Job Information	Type:
Job Name:	
Cat. No.:	
Lamp(s):	
Notes:	

Lightolier a Genlyte Thomas Company www.lightolier.com
 631 Airport Road, Fall River, MA 02720 • (508) 679-8131 • Fax (508) 674-4710
 We reserve the right to change details of design, materials and finish.
 © 2002 Genlyte Thomas Group LLC (Lightolier Division) • A0902

LIGHTOLIER®