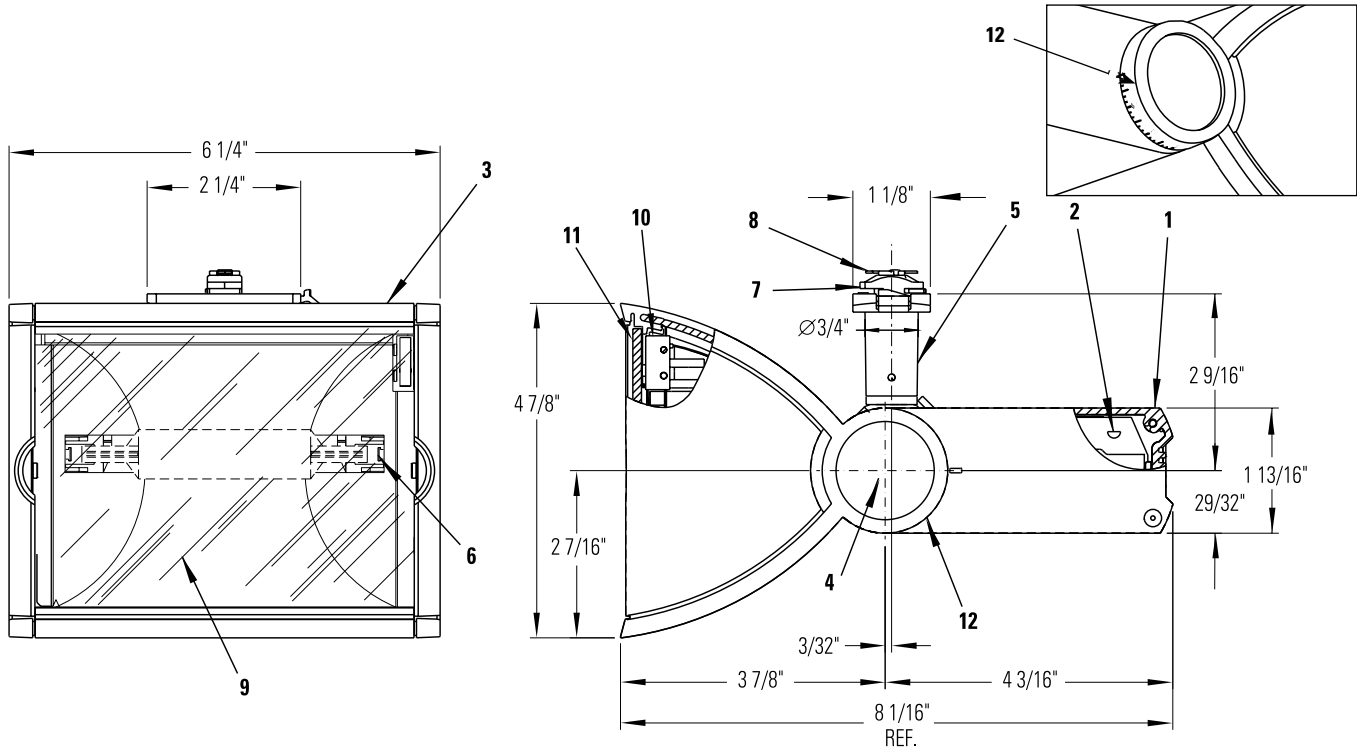


Lytespan® Track Lighting **8292F3E**

Page 1 of 2

PowerArc™ Double Ended Metal Halide 30° Vertical Flood



Ordering Information

Catalog No.	Finishes	Track Mountings	Lamps
8292F3EWH	Matte White	All Lytespan® Track Systems, Multipoint, and Monopoint. DO NOT USE with any other mounting accessories or stem mounted Radius® Track.	70W CDM or CMH T-6 Double Ended Metal Halide (M-98)
8292F3EBK	Matte Black		
8292F3EAL	Metallic Aluminum		

Features

- Ballast Housing:** 0.09" extruded aluminum housing with die cast endcaps.
- Ballast:** High power factor electronic metal halide ballast.
- Reflector Housing:** .095" thick extruded aluminum body with die cast end caps.
- Vertical Pivot:** 0 - 90° vertical adjustment.
- Horizontal Pivot:** Die cast track adapter with positive rotation stop provides 385° horizontal rotation.
- Sockets:** 5 Kv pulse rated sockets with nickel plated contacts; leads enclosed in silicone coated fiberglass sleeving.
- Contact Holder:** High temperature thermoplastic. Secures luminaire mechanically and makes electrical contact with track.
- Brass Contact:** Extends for connection to second circuit in Advent® Lytespan® track.
- Flood Reflector:** Symmetrical aluminum reflector for illumination on vertical surface.
- Safety Interlock Switch:** Disconnects power when safety lens is removed.
- Safety Lens:** Tempered 1/8" UV filtering glass. Meets or exceeds safety requirements for metal halide lamps.
- Indicator Guide:** Aiming indicator assures consistent and precise multiple unit alignment.
- Locking Lever:** Nickel plated steel. For mechanical/electrical connection to track.

Electrical

Electronic Ballast
 Input Voltage: 120V, 60Hz
 Power Factor: >95%
 Input Power: 78W
 Input Current: .67 amp

Electrical (Continued)

Harmonic Distortion: <10%
 DO NOT USE ON A DIMMING CIRCUIT

Options and Accessories

Accepts PowerArc Accessory Holder (8293AC), Vertical Blade Louver (8293LV), Spread Lens (8293BE), UV Filter (8293UV), and Visor (8293VS).
 NOTE: 8293UV or 8293BE must be combined with 8293AC.

Finish

All painted finishes are baked enamel.

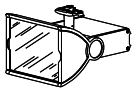
Labels

UL, cUL

Job Information	Type:
Job Name:	
Cat. No.:	
Lamp(s):	
Notes:	

Lightolier a Genlyte company www.lightolier.com
 631 Airport Road, Fall River, MA 02720 • (508) 679-8131 • Fax (508) 674-4710
 We reserve the right to change details of design, materials and finish.
 © 2006 Genlyte Group LLC • C0807

LIGHTOLIER®

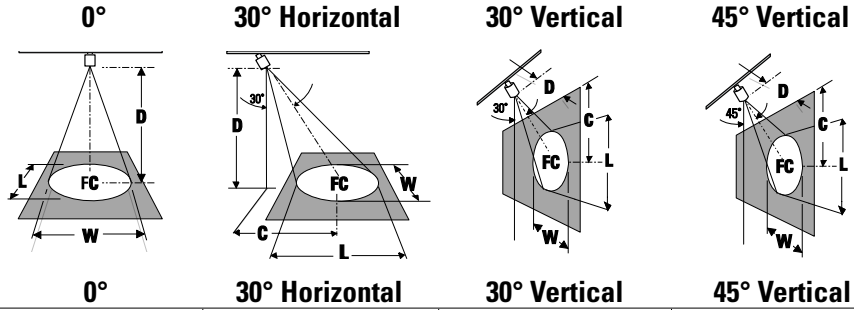


Lytespan® Track Lighting **8292F3E**

Aiming Angle

- L** Beam Length
- W** Beam Width
- C** Distance to center beam
- D** Distance
- A** Aiming Angle
- FC** Footcandles

L and **W** are the outer points where the candle power drops to 50% of the maximum. **FC** are the initial footcandles at the center of the beam.



Beam Spread (To 50% CBCP)	CBCP	Rated Life (Hrs.)	0°				30° Horizontal				30° Vertical				45° Vertical							
			D	FC	L	W	D	C	FC	L	W	D	C	FC	L	W	D	C	FC	L	W	
 T6 70W MasterColor Metal Halide	 29° x 85°	5,659	12,000	6'	157	3.1'	11.0'	5'	2.9'	147	3.5'	10.6'	2'	3.5'	177	5.2'	7.3'	3'	3.0'	222	3.3'	7.8'
				8'	88	4.1'	14.7'	7'	4.0'	75	4.9'	14.8'	3'	5.2'	79	7.8'	11.0'	5'	5.0'	80	5.5'	13.0'
				10'	57	5.2'	18.3'	8'	5.2'	45	6.3'	19.0'	4'	5.9'	44	10.4'	14.7'	7'	7.0'	41	7.8'	16.1'
				12'	38	6.2'	22.0'	11'	6.4'	30	7.8'	23.3'	5'	8.7'	28	12.9'	18.3'	9'	9.0'	25	10.0'	23.3'

Lamp Information:

70W CDM or CMH T6 Double Ended Metal Halide.

Initial Lumens: 6200 to 7000

CRI: 85

Rated Avg. life: 12,000 hrs.

Job Information

Type:

Lightolier a Genlyte company www.lightolier.com
 631 Airport Road, Fall River, MA 02720 • (508) 679-8131 • Fax (508) 674-4710
 We reserve the right to change details of design, materials and finish.
 © 2006 Genlyte Group LLC • B0807