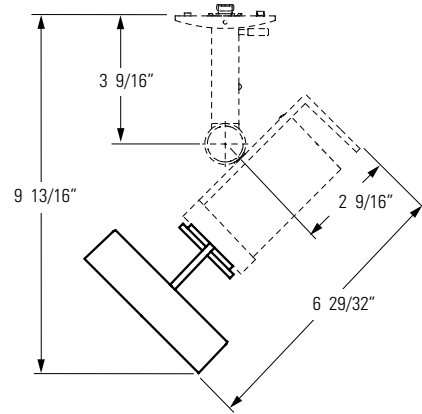
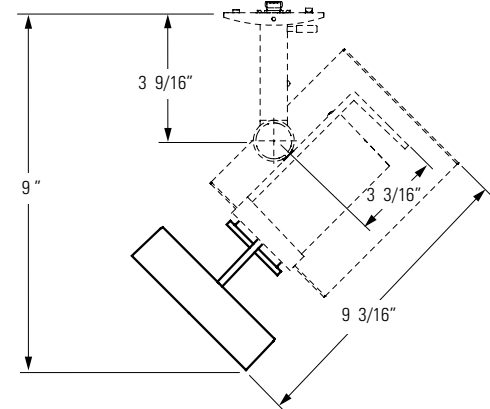


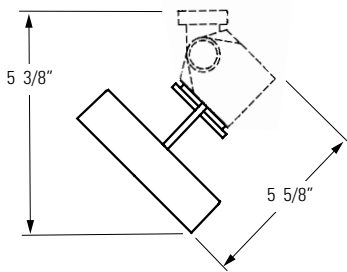
Ring PAR20 with Metallics™ Incandescent/Halogen Fixtures 8701 & 28701 (ProSpec)



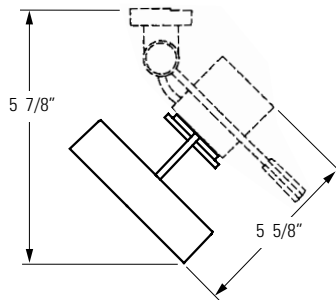
Ring PAR20 with Metallics™ Electronic Metal Halide Fixtures 8704E, 8705E, & 28705E (prospec)



Ring PAR30 with Par-Tech® Incandescent/halogen Fixture 8201



Ring PAR30 with Par-Tech® Incandescent/halogen Fixture 8202



### Ordering Information

Catalog No.	Finishes	Lamps
<b>8238 WH</b>	Matte White	INCANDESCENT: PAR30 75W Max. (When used on fixtures 8201, 8202, 8701, & 28701) METAL HALIDE: PAR30L 39W (When used on fixture no. 8704E) NO ACCESSORIES METAL HALIDE: PAR30L 70W (When used on fixtures no. 8705E & 28705E) NO ACCESSORIES
<b>8238 TM</b>	Dark Titanium	
<b>8238 NM</b>	Natural Metal	
<b>8238 BK</b>	Matte Black	

### Features

- 1. Shade:** Die-cast aluminum.
- 2. Neck Flange:** Cold rolled steel, zinc-plated. Used to attach shade to fixture, without tools.
- 3. Groove:** To connect optional Accessory Holder to shade.

### Options and Accessories

PAR30 Accessory Holder (8583) & Accessories (AF3 & AL3HC Series), Order separately (See Lightolier Specification Sheet 8583).

### Finish

All painted finishes: White, Titanium, or Black baked enamel. Natural Metal is Brushed Metal with protective Clear Coat.

### Labels

UL, I.B.E.W.

### Job Information

### Type:

**Job Name:**

**Cat. No.:**

**Lamp(s):**

**Notes:**

Lightolier a Genlyte Thomas Company [www.lightolier.com](http://www.lightolier.com)  
 631 Airport Road, Fall River, MA 02720 • (508) 679-8131 • Fax (508) 674-4710  
 We reserve the right to change details of design, materials and finish.  
 © 2002 Genlyte Thomas Group LLC (Lightolier Division) • A0902

# LIGHTOLIER®