

# INSTRUCTIONS FOR ATTACHING LYTESPOT® TO LYTESPAN® TRACK

INSTRUCTION SHEET NO.

# IS:7637AZ

R0490

Page 1 of 2

## FOR USE WITH LYTESPAN® TRACK SYSTEMS ONLY.

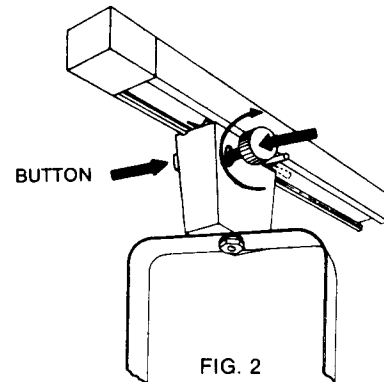
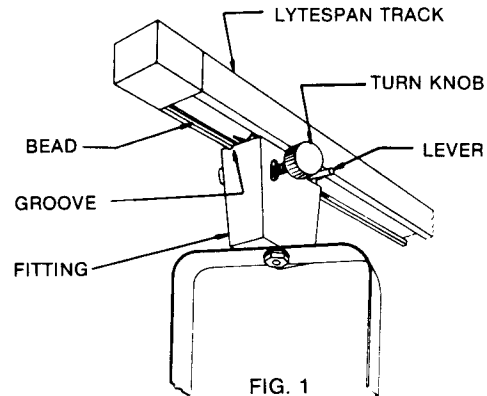
### READ AND UNDERSTAND THESE INSTRUCTIONS BEFORE INSTALLING FIXTURE.

This fixture is intended for installation in accordance with the National Electrical Code and local regulations. To assure full compliance with local codes and regulations, check with your local electrical inspector before installation. To prevent electrical shock, turn off electricity at fuse box before proceeding.

**Retain these instructions for reference.**

### INSTRUCTIONS FOR ATTACHING LYTESPOT® TO SINGLE CIRCUIT TRACK

1. Align BEAD on LYTESPAN TRACK and GROOVE in FITTING before inserting into LYTESPAN TRACK. See Fig. 1. (If BEAD is NOT aligned, a potential hazard may result.)
2. Unscrew the TURN KNOB partially and position LEVER. See Fig. 1.
3. To attach FITTING, squeeze BUTTON and KNOB, insert into LYTESPAN TRACK, and release. Tighten TURN KNOB. This holds FITTING to LYTESPAN TRACK mechanically. To energize turn LEVER all the way until LEVER is parallel to LYTESPAN TRACK. See Fig. 2.
4. To shift fixture location on the LYTESPAN TRACK loosen TURN KNOB slightly, release LEVER and slide to new position.
5. To remove fixture reverse the procedure in (3), push TURN KNOB in and allow FITTING to disengage.
6. Fixture can be left on LYTESPAN TRACK when not in use by turning LEVER to disconnect electrically.



### INSTRUCTIONS FOR CONVERTING LYTESPOT® ATTACHMENT FITTING TO OPERATE ON 2 CIRCUIT TRACK

**NOTE:** To insure proper operation of fixture on Two Circuit Lytespan Track, the BLACK SPACER (provided) must be used at all times on the plug assembly.

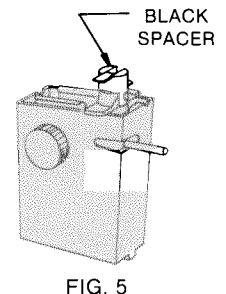
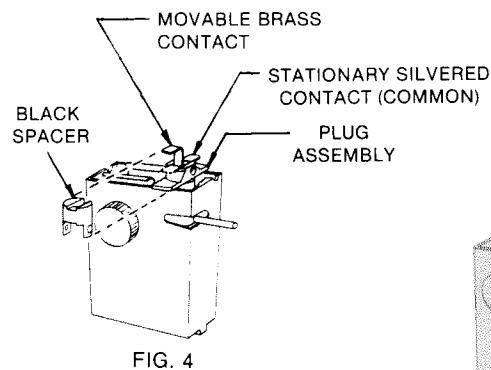
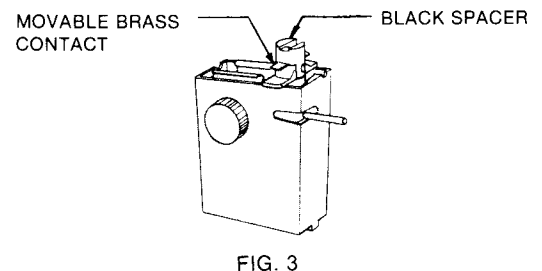
The BLACK SPACER is not used when operating Lytespots on Single Circuit Track.

#### LOWER CIRCUIT, FIG. 3:

Illustrates contacts in low position with spacer in place for lower circuit.

#### UPPER CIRCUIT, FIG. 4 and 5:

To convert attachment fitting for upper circuit, raise BRASS CONTACT to high position (as indicated by dotted line) by pulling CONTACT as high as stop permits and slipping on BLACK SPACER as shown in Fig. 4 and 5.



## INSTRUCTIONS FOR LAMPING DRAMALUX® LOW VOLTAGE (SEE FIG. 6)

1. Loosen KNURLED KNOB on FIXTURE HOUSING and remove FIXTURE COVER.
2. Select voltage (12V or 5.5V depending on lamp being used) by setting Slide Switch by inserting screwdriver or tool into slot in Slide Switch.

**CAUTION:** Do not use SLIDE SWITCH as ON/OFF SWITCH.

3. Install lamp by pushing into LAMP CONNECTOR until the rim of lamp snaps onto LAMPHOLDER SPRINGS,
4. Slide FIXTURE COVER onto FIXTURE HOUSING and tighten KNURLED KNOB.

**NOTE:** For dimming control, use only variable autotransformer dimmers or electronic dimmers specifically designed for use with transformers such as Lutron NLV600 or SLV600P, Atmos LU-500 or Hunt LV-5 or LV-6.

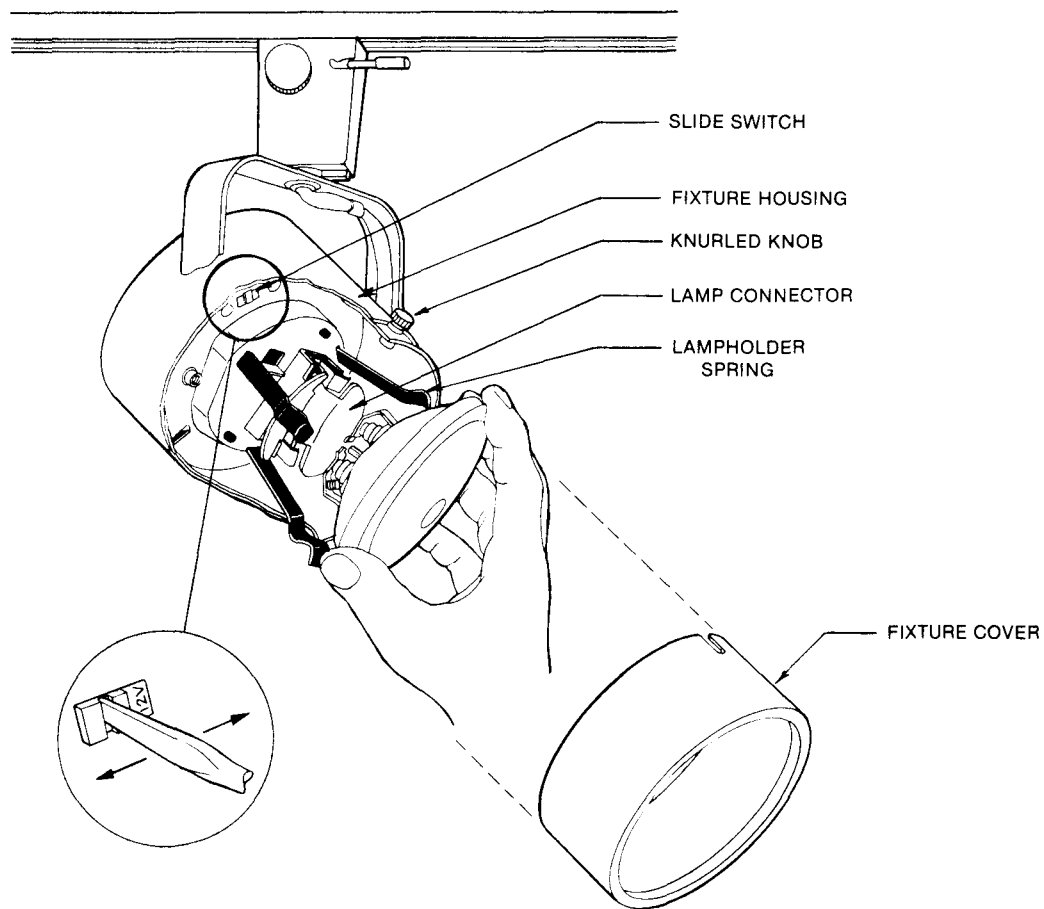


FIG. 6