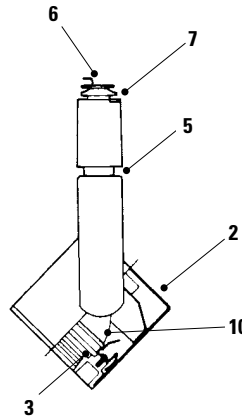
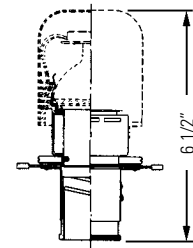


Fixture MOL = 7 3/4"



Framing Projector Accessory (Order Separately)



Ordering Information

Catalog No.	Mountings	Finish	Lamps
6294	All Lytespan Track Systems	Matte White	20W-50W, MR-16 12V
6295		Matte Black	
6497		Matte Black Framing Projector (For performance data see Lightolier Specification Sheet 6497)	

Features

- Transformer Housing:** Die-cast aluminum. Fitter twists onto track and locks on.
- Housing:** .040" aluminum.
- Step Baffle:** Die-cast aluminum with stepped conical surface for low brightness. Matte black finish.
- Trunion Mounting:** Tensioned with internal spring washer and vibration-resistant nut.
- Pivot Mounting:** Tensioned; 350° stop.
- Movable Brass Contact:** Extends for connection to 2nd circuit in Advent Lytespan Track.
- Polarity Key**
- Push Tab:** Molded polycarbonate. Detaches unit.
- Yoke:** .187" extruded aluminum.
- Lamp Guard:** Tempered glass.

Electrical/Dimming

Light-weight, electronic, low voltage transformer with integral radio frequency interface filter; constant output lamp voltage to maintain rated lamp life and light output. Two-pin base socket, pre-wired with No. 18 braided SF-1 leads with fiberglass braided outer sleeve. For dimming control, use only those dimmers specifically designed for use with electronic transformers like Lightolier's Sunrise and Neptune Momentum QE series. Call (800) 526-2731 for further information.

Options and Accessory

2" Series Color Filters, Louver, Spread Lens (See Lightolier Specification Sheet 7472).

Finish

All painted finishes baked enamel.

Labels

UL, I.B.E.W.

Patents

U.S. Patent No. 3,496,518. Foreign patents granted.

Job Information	Type:
Job Name:	
Cat. No.:	
Lamp(s):	
Notes:	

Lightolier a Genlyte company www.lightolier.com
 631 Airport Road, Fall River, MA 02720 • (508) 679-8131 • Fax (508) 674-4710
 We reserve the right to change details of design, materials and finish.
 © 2007 Genlyte Group LLC • C0507

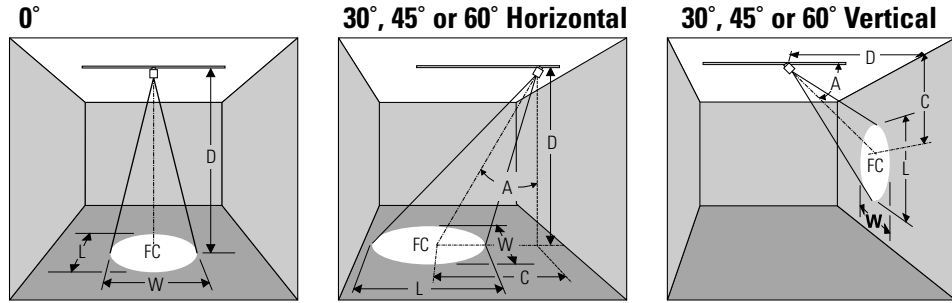


Page 1 of 2
Lighting Data
Aiming Angle

Tron 16 Electronic
 6294
 6295
 6497

L Beam Length
W Beam Width
C Distance to center beam
D Distance
A Aiming Angle
FC Footcandles

L and W are the outer points where the candle power drops to 50% of the maximum. FC are the initial footcandles at the center of the beam.



LAMP

LAMP	Beam Spread 50% Max. CP	Beam Center C.P. Candelas	Rated Life-Hrs	0° AIMING ANGLE				A=30° AIMING ANGLE				A=45° AIMING ANGLE				A=60° AIMING ANGLE						
				D	FC	L	W	D	C	FC	L	W	D	C	FC	L	W	D	C	FC	L	W
20W MR16 VNSP (T-H) (EZX)	7°	8,200	3,000	7'	167	0.9'	0.9'	6'	3.5'	148	1.0'	0.8'	4'	4.0'	181	1.0'	0.7'	2'	3.5'	256	1.0'	0.5'
20W MR16 NSP (T-H) (ESX)	13°	3,600	3,000	10'	62	1.2'	1.2'	8'	5.2'	66	1.5'	1.3'	6'	6.0'	61	1.5'	1.0'	3'	5.2'	114	1.5'	0.7'
20W MR16 FL (T-H) (BAB)	40°	525	4,000	13'	49	1.6'	1.6'	12'	6.9'	37	2.0'	1.7'	8'	8.0'	45	2.0'	1.4'	4'	6.9'	64	2.0'	1.0'
20W MR16 NSP (T-H) (FRB)	12°	6,700	4,000	16'	32	2.0'	2.0'	15'	8.7'	24	2.4'	2.1'	10'	10.0'	29	2.5'	1.7'	5'	8.7'	41	2.5'	1.2'
35W MR16 SP (T-H) (FRA)	20°	3,900	4,000	6'	100	1.4'	1.4'	5'	2.9'	84	1.5'	1.3'	3'	3.0'	141	1.4'	1.0'	2'	3.5'	113	1.9'	0.9'
42W MR16 VNSP (T-H) (EZY)	9°	13,100	3,500	8'	56	1.8'	1.8'	7'	4.0'	48	2.1'	1.8'	5'	5.0'	51	2.3'	1.6'	3'	5.2'	50	2.8'	1.4'
50W MR16 NFL (T-H) (EXZ)	27°	3,400	4,000	10'	36	2.3'	2.3'	9'	5.2'	29	2.7'	2.4'	7'	7.0'	26	3.2'	2.3'	4'	6.9'	28	3.8'	1.8'
50W MR16 FL (T-H) (EXN)	40°	1,650	4,000	12'	25	2.7'	2.7'	11'	6.4'	19	3.4'	2.9'	9'	9.0'	16	4.2'	2.9'	5'	8.7'	18	4.7'	2.3'
50W MR16 WFL (T-H) (FNV)	55°	1,150	4,000	2'	131	1.5'	1.5'	2'	1.2'	85	2.0'	1.7'	2'	2.0'	46	3.4'	2.1'	1'	1.7'	66	4.8'	1.5'
				3'	58	2.2'	2.2'	3'	1.7'	38	3.0'	2.5'	3'	3.0'	21	5.0'	3.1'	2'	3.5'	16	9.7'	2.9'
				4'	33	2.9'	2.9'	4'	2.3'	21	4.1'	3.4'	4'	4.0'	12	6.7'	4.1'	3'	5.2'	7	14.5'	4.4'
				5'	21	3.6'	3.6'	5'	2.9'	14	5.1'	4.2'	5'	5.0'	7	8.4'	5.1'	4'	6.8'	4	19.3'	5.8'
				7'	178	1.5'	1.5'	6'	3.5'	157	1.7'	1.5'	4'	4.0'	192	1.7'	1.2'	2'	3.5'	272	1.7'	0.8'
				10'	87	2.1'	2.1'	9'	5.2'	70	2.5'	2.2'	6'	6.0'	65	2.6'	1.8'	3'	5.2'	121	2.6'	1.3'
				13'	51	2.7'	2.7'	12'	6.9'	39	3.4'	2.9'	8'	8.0'	48	3.4'	2.4'	4'	6.9'	30	6.2'	2.8'
				16'	34	3.4'	3.4'	15'	8.7'	25	4.2'	3.6'	10'	10.0'	31	4.3'	3.0'	5'	8.7'	44	4.3'	2.1'
				6'	108	2.1'	2.1'	5'	2.9'	101	2.4'	2.0'	3'	3.0'	153	2.2'	1.5'	2'	3.5'	122	3.1'	1.4'
				8'	61	2.8'	2.8'	7'	4.0'	52	3.3'	2.9'	5'	5.0'	55	3.6'	2.5'	3'	5.2'	54	4.7'	2.1'
				10'	39	3.5'	3.5'	9'	5.2'	31	4.3'	3.7'	7'	7.0'	28	5.1'	3.5'	4'	6.9'	30	6.2'	2.8'
				12'	27	4.2'	4.2'	11'	6.4'	21	5.2'	4.5'	9'	9.0'	17	6.6'	4.5'	5'	8.7'	20	7.8'	3.5'
				8'	205	1.3'	1.3'	7'	4.0'	174	1.5'	1.3'	5'	5.0'	165	1.6'	1.1'	3'	5.2	182	1.9'	0.9'
				12'	91	1.9'	1.9'	10'	5.8'	85	2.1'	1.8'	7'	7.0'	95	2.2'	1.6'	4'	6.9'	102	2.6'	1.3'
				16'	51	2.5'	2.5'	13'	7.5'	50	2.7'	2.4'	9'	9.0'	57	2.9'	2.0'	5'	8.7'	66	3.2'	1.6'
				20'	33	3.1'	3.1'	16'	9.2'	33	3.4'	2.9'	11'	11.0'	38	3.5'	2.4'	6'	10.4'	45	3.8'	1.9'
				6'	94	2.8'	2.9'	5'	2.9'	88	3.3'	2.8'	3'	3.0'	134	3.1'	2.0'	2'	3.5'	106	4.6'	1.9'
				8'	53	3.8'	3.8'	7'	4.0'	45	4.6'	3.9'	5'	5.0'	48	5.1'	3.4'	3'	5.2'	47	7.0'	2.9'
				10'	34	4.8'	4.8'	9'	5.2'	27	5.9'	5.0'	7'	7.0'	25	7.1'	4.8'	4'	6.9'	27	9.3'	3.6'
				12'	24	5.8'	5.8'	11'	6.4'	18	7.2'	6.1'	9'	9.0'	15	9.2'	6.1'	5'	8.7'	17	11.6'	4.6'
				4'	118	2.9'	2.9'	3'	1.7'	134	3.0'	2.5'	3'	3.0'	73	5.0'	3.1'	1'	1.7'	231	4.8'	1.5'
				6'	51	4.4'	4.4'	5'	2.9'	48	5.1'	4.2'	4'	4.0'	41	6.7'	4.1'	2'	3.5'	58	9.7'	2.9'
				8'	29	5.8'	5.8'	7'	4.0'	25	7.1'	5.9'	5'	5.0'	26	8.4'	5.1'	3'	5.2'	26	14.5'	4.4'
				10'	19	7.3'	7.3'	9'	5.7'	15	9.1'	7.6'	6'	6.0'	18	10.1'	6.2'	4'	6.9'	14	19.3'	5.8'
				3'	128	3.1'	3.1'	3'	1.7'	83	4.6'	3.6'	2'	2.0'	102	5.7'	2.9'	1'	1.7'	144	22.3'	2.1'
				5'	46	5.2'	5.2'	5'	2.9'	30	7.6'	6.0'	3'	3.0'	45	8.6'	4.4'	2'	3.5'	36	44.5'	4.2'
				7'	23	7.3'	7.3'	7'	4.0'	15	10.7'	8.4'	4'	4.0'	25	11.4'	5.9'	3'	5.2'	16	66.8'	6.2'
				9'	14	8.4'	9.4'	9'	5.2'	9	13.7'	10.8'	5'	5.0'	16	14.3'	7.4'	4'	6.9'	9	69.1'	8.3'

Job Information **Type:**

Lightolier a Genlyte company www.lightolier.com
 631 Airport Road, Fall River, MA 02720 • (508) 679-8131 • Fax (508) 674-4710
 We reserve the right to change details of design, materials and finish.
 © 2007 Genlyte Group LLC • B0107

LIGHTOLIER®