

Ordering Information

Catalog No.	Finishes	Track Mountings	Lamps
6272 WH	Matte White	All Lytespan Track Systems	AR70 50W Max.
6272 BK	Matte Black		

Features

- 1. Ring:** Die-cast aluminum with cool grip insulation band, a high temperature silicone rubber which allows aiming adjustments while fixture is on.
- 2. Socket:** Double contact bayonet base, zinc plated steel body prewired with 18 ga. stranded Teflon leads with fiberglass outer sleeve.
- 3. Transformer:** Electronic low voltage transformer with integral radio frequency interference filter and anti-crossover circuit for increased reliability; housed in extruded aluminum.
- 4. Track Attachment Fitting:** Molded polycarbonate, rotates into track and locks on with push tab; integral polarity key guard.
- 5. Push Tab:** Locks and detaches unit from track.
- 6. Brass Contacts:** Extends for connection to second circuit in Advent® Lytespan track.
- 7. Tension Pivot Mounts:** Die-cast aluminum. Allows for 180° horizontal rotation and 180° vertical rotation.
- 8. Lamp Guard:** Tempered glass.
- 9. Spring:** Steel springs hold lamp and housing in place.
- 10. Housing:** Aluminum, fully encloses lamp back and socket. Vents dissipate lamp heat.

Options & Accessories

- Accessory Holder** 7661
- 2 1/2" Dia. Series** Lenses and Louver

Electrical/Dimming

Dimming controls: Use only dimmers specifically designed for use with electronic transformers, like Lightolier Sunrise™ and Neptune Momentum QE™ series. Low voltage fixtures may produce audible sound when used with dimmers, which may be objectionable in acoustically critical areas.

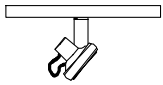
Labels

UL; Patent Pending

Job Information	Type:
Job Name:	
Cat. No.:	
Lamp(s):	
Notes:	

Lightolier a Genlyte Thomas Company www.lightolier.com
 631 Airport Road, Fall River, MA 02720 • (508) 679-8131 • Fax (508) 674-4710
 We reserve the right to change details of design, materials and finish.
 © 2002 Genlyte Thomas Group LLC (Lightolier Division) • A0902

LIGHTOLIER®

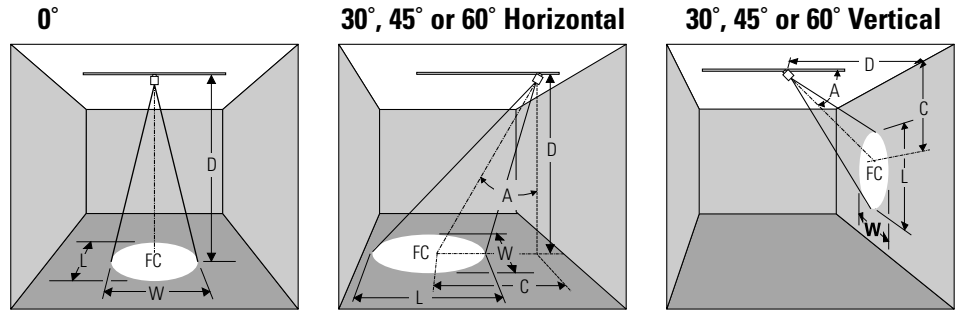


Lighting Data

Aiming Angle

- L** Beam Length
- W** Beam Width
- C** Distance to center beam
- D** Distance
- A** Aiming Angle
- FC** Footcandles

L and W are the outer points where the candle power drops to 50% of the maximum. FC are the initial footcandles at the center of the beam.



LAMP	Beam Spread 50% Max CP	Beam Center C.P. Candelas	Rated Life-Hrs	0° AIMING ANGLE					A=30° AIMING ANGLE					A=45° AIMING ANGLE					A=60° AIMING ANGLE				
				D	FC	L	W	D	C	FC	L	W	D	C	FC	L	W	D	C	FC	L	W	
 20W AR70 SP (T-H)	 10°	7000	2000	7'	143	1.2'	1.2'	6'	3.5'	126	1.4'	1.2'	4'	4.0'	155	1.4'	1.0'	2'	3.5'	219	1.4'	0.7'	
				10'	70	1.7'	1.7'	9'	5.2'	56	2.1'	1.8'	6'	6.0'	69	2.1'	1.5'	3'	5.2'	97	2.1'	1.0'	
				13'	41	2.3'	2.3'	12'	6.9'	32	2.8'	2.4'	8'	8.0'	39	2.8'	2.0'	4'	6.9'	55	2.9'	1.4'	
				16'	27	2.8'	2.8'	15'	8.7'	20	3.5'	3.0'	10'	10.0'	25	3.5'	2.5'	5'	8.7'	35	3.6'	1.7'	
 20W AR70 FL (T-H)	 30°	1000	2000	3'	111	1.6'	1.6'	3'	1.7'	72	2.2'	1.9'	2'	2.0'	88	2.3'	1.5'	1'	1.7'	125	2.7'	1.1'	
				5'	40	2.7'	2.7'	5'	2.9'	26	3.7'	3.1'	3'	3.0'	39	3.5'	2.3'	2'	3.5	31	5.5'	2.1'	
				7'	20	3.8'	3.8'	7'	4.0'	13	5.1'	4.3'	4'	4.0'	22	4.6'	3.0'	3'	5.2'	14	8.2'	3.2'	
				9'	12	4.8'	4.8'	9'	5.2'	8	6.6'	5.6'	5'	5.0'	14	5.8'	3.8'	4'	6.9'	8	10.9'	4.3'	
 50W AR70 SP (T-H)	 10°	15000	2000	8'	234	1.4'	1.4'	7'	4.0'	199	1.6'	1.4'	5'	5.0'	212	1.8'	1.2'	3'	5.2'	208	2.1'	1.0'	
				12'	104	2.1'	2.1'	10'	5.8'	97	2.3'	2.0'	7'	7.0'	108	2.5'	1.7'	4'	6.9'	117	2.9'	1.4'	
				16'	59	2.8'	2.8'	13'	7.5'	58	3.0'	2.6'	9'	9.0'	65	3.2'	2.2'	5'	8.7'	75	3.6'	1.7'	
				20'	38	3.5'	3.5'	16'	9.2'	38	3.7'	3.2'	11'	11.0'	44	3.9'	2.7'	6'	10.4'	52	4.3'	2.1'	
 50W AR70 FL (T-H)	 30°	2000	2000	4'	125	2.1'	2.1'	3'	1.7'	144	2.2'	1.9'	3'	3.0'	79	3.5'	2.3'	1'	1.7'	250	2.7'	1.1'	
				6'	56	3.2'	3.2'	5'	2.9'	52	3.7'	3.1'	4'	4.0'	44	4.6'	3.0'	2'	3.5	63	5.5'	2.1'	
				8'	31	4.3'	4.3'	7'	4.0'	27	5.1'	4.3'	5'	5.0'	28	5.8'	3.8'	3'	5.2'	28	8.2'	3.2'	
				10'	20	5.4'	5.4'	9'	5.2'	16	6.6'	5.6'	6'	6.0'	20	6.9'	4.5'	4'	6.9'	16	10.9'	4.3'	
 50W AR70 SP GOLD (T-H)	 10°	13500	2000	8'	211	1.4'	1.4'	7'	4.0'	179	1.6'	1.4'	5'	5.0'	191	1.8'	1.2'	3'	5.2'	188	2.1'	1.0'	
				12'	94	2.1'	2.1'	10'	5.8'	88	2.3'	2.0'	7'	7.0'	97	2.5'	1.7'	4'	6.9'	105	2.9'	1.4'	
				16'	53	2.8'	2.8'	13'	7.5'	52	3.0'	2.6'	9'	9.0'	59	3.2'	2.2'	5'	8.7'	68	3.6'	1.7'	
				20'	34	3.5'	3.5'	16'	9.2'	34	3.7'	3.2'	11'	11.0'	39	3.9'	2.7'	6'	10.4'	47	4.3'	2.1'	
 50W AR70 FL GOLD (T-H)	 30°	1800	2000	4'	113	2.1'	2.1'	3'	1.7'	130	2.2'	1.9'	3'	3.0'	71	3.5'	2.3'	1'	1.7'	225	2.7'	1.1'	
				6'	50	3.2'	3.2'	5'	2.9'	47	3.7'	3.1'	4'	4.0'	40	4.6'	3.0'	2'	3.5	56	5.5'	2.1'	
				8'	28	4.3'	4.3'	7'	4.0'	25	5.1'	4.3'	5'	5.0'	25	5.8'	3.8'	3'	5.2'	25	8.2'	3.2'	
				10'	18	5.4'	5.4'	9'	5.2'	18	6.6'	5.6'	6'	6.0'	18	6.9'	4.5'	4'	6.9'	14	10.9'	4.3'	

LIGHTOLIER®

Job Information **Type:**

Lightolier a Genlyte Thomas Company www.lightolier.com
 631 Airport Road, Fall River, MA 02720 • (508) 679-8131 • Fax (508) 674-4710
 We reserve the right to change details of design, materials and finish.
 © 2002 Genlyte Thomas Group LLC (Lightolier Division) • A0902