

Catalog No.	Finish	Specifications	Mounting
LLACSWWH	White	120V - 60Hz	Portable luminaire not recommended for grid ceiling only. Designed for other ceiling types, floor or wall (vertical and horizontal).
LLACSWBK	Black		
LLACSWAL	Aluminum		

### Features

- Power Control Module:** Extruded aluminum. High power factor power supply unit. Thermally protected, Class 2, short circuit protection. Solid state controller and driver. Providing power and data to accurately control LED array. Thermally protected.
- Synchronizer:** Printed circuit board (PCB) mounted. With a sensitive capter and audible captation fo rthe 4 button controller.
- 4-Button Controller:** 4 button interface allows selection of light show and variation of intensity. Molded polycarbonate. Digital.
- DMX Connector:** Two RJ45e jacks mounted on printed circuit board (PCB), for DMX connection and an exit for daisy chain mounting. Uses standard CAT5 round 8 conductor stranded twisted pair shielded network cables.
- Pivot w/Lock:** Die-cast aluminum. Adjusts the aiming angle up to 120° with a locking screw, using a 3/16" Allen key tool.
- LED Optic Housing:** Extruded aluminum. Integral heat sink and color mixing chamber.
- LED Array:** 48 High-power linear lighting emitting diodes (LED) red, green, blue and amber (RGBA). Thermally protected with color sensor for accurate color adjustment over life.
- LED Optics:** Asymmetrical MicroBlend technology ensures smooth washing and color uniformity and minimizes undesirable color fringing.
- Lens:** Tempered glass, fine prisms provide additional mixing at the aperture and minimizes the appearance of the individul RGBA sources.
- Wiring:** 10 amperes SVT 2 wire cord with grounded plug. 8 feet.
- ON/Off Switch:** Rocker switch to disconnect power to the power supply unit.
- Splice Door:** 18 gauge steel. 7/8" (222.3 mm) K.O. accepts 3/8" low profile connector for hardwiring in continuous row for flexible conduit. Two connectors are included in the luminaire.

### Features (continued)

- Mounting Bracket:** 14 Gauge steel. Pivots 360° to permit any type of mounting with aligning features for accurate positioning.

### Dimming

Not compatible w/dimmers.

### Finish

All painted finishes are baked powder or enamel.

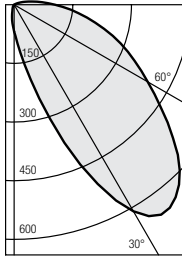
### Labels

cULus, Suitable for damp locations.

Job Information	Type:
<b>Job Name:</b>	
<b>Cat. No.:</b>	
<b>Lamp(s):</b>	
<b>Notes:</b>	

631 Airport Road, Fall River, MA 02720 • (508) 679-8131 • Fax (508) 674-4710  
 We reserve the right to change details of design, materials and finish.  
 www.lightolier.com © 2008 Philips Group • C0708

**Lighting Data** (All data is based on 3000K color temperature and 45° tilt)

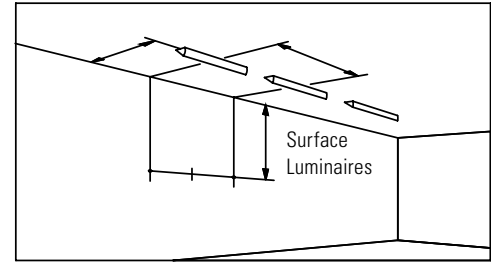


**Color Temperature:** 3000K

**Max. Tilt:** 45°

**Report No:** 22906

**Example:** With multiple units located 3' from wall and spaced 4' on center, the illumination on the wall 3' down from ceiling will be 30 f.c. beneath units and 29 f.c. between units. Footcandle values are averaged and rounded off and are based on a minimum of five units.

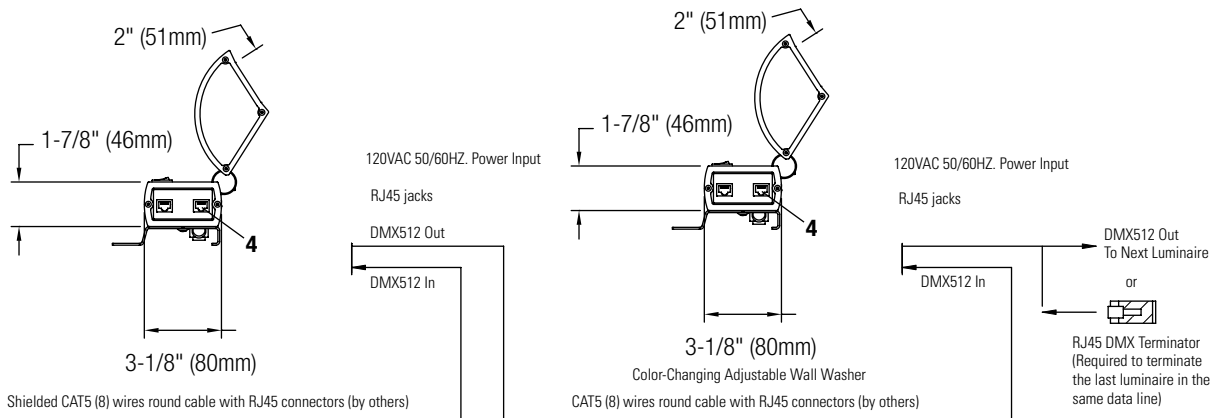


2' From Wall - Single					2' From Wall - 2' On Center					2' From Wall - 3' On Center					2' From Wall - 4' On Center				
1	1	12	56	12	1	1	84	83	84	1	64	48	64	1	59	25	59		
2	2	17	49	17	2	2	87	87	87	2	61	56	61	2	53	34	59		
3	2	12	26	12	2	3	57	57	57	3	38	38	38	3	31	26	31		
4	2	7	12	7	2	4	31	31	31	4	21	21	21	4	16	15	16		
5	1	4	5	4	1	5	18	18	18	5	12	12	12	5	9	9	9		
6	1	2	3	2	1	6	11	11	11	6	8	7	8	6	5	5	5		
7	1	1	1	1	1	7	8	8	8	7	5	5	5	7	4	4	4		
8	1	1	1	1	1	8	6	6	6	8	4	4	4	8	3	3	3		
9	0	1	1	1	0	9	4	4	4	9	3	3	3	9	2	2	2		

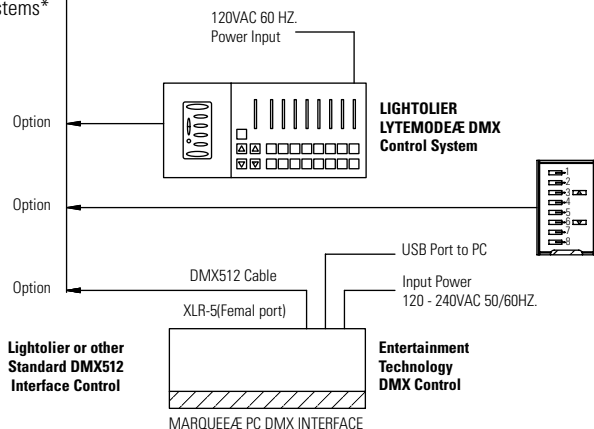
  

3' From Wall - Single					3' From Wall - 3' On Center					3' From Wall - 4' On Center					3' From Wall - 5' On Center					3' From Wall - 6' On Center				
1	2	10	25	10	2	1	34	32	34	1	28	20	28	1	27	13	27	1	26	8	25			
2	3	13	27	13	3	2	41	41	41	2	33	28	33	2	30	19	30	2	28	13	28			
3	3	13	23	13	3	3	40	40	40	3	30	29	30	3	26	21	26	3	25	15	25			
4	3	10	15	10	3	4	31	31	31	4	23	23	23	4	19	18	19	4	17	13	17			
5	3	7	9	7	3	5	22	22	22	5	16	16	16	5	13	13	13	5	11	10	11			
6	2	4	5	4	2	6	15	15	15	6	11	11	11	6	9	9	9	6	7	7	7			
7	2	3	3	3	2	7	10	10	10	7	7	7	7	7	6	6	6	7	5	5	5			
8	1	2	2	2	1	8	7	7	7	8	5	5	5	8	4	4	4	8	3	3	3			
9	1	1	1	1	1	9	5	5	5	9	4	4	4	9	3	3	3	9	3	3	3			

**DMX Network**



OPTIONS  
DMX512  
Systems\*



Compatible DMX controls by Lightolier Controls [www.lolcontrols.com](http://www.lolcontrols.com)

**Accessories**

**Addressable Interface Kit:** Cat. No. **CLEDAIK**

Load addresses and select operating mode for DMX protocol, load serial numbers and specific lighting preset, update firmware to each LED lighting unit

**DMX Terminator:** Cat. No. **CLEDDMXTERM**

**Job Information**

**Type:**

631 Airport Road, Fall River, MA 02720 • (508) 679-8131 • Fax (508) 674-4710  
We reserve the right to change details of design, materials and finish.  
[www.lightolier.com](http://www.lightolier.com) © 2008 Philips Group • C0708