

Ordering Information

| Catalog No. | Finishes | Mountings | Lamps |
|-------------|-------------|--------------------------------------|-------------|
| 8675BD12 WH | Matte White | All Power Jacks | MR16 Bi-Pin |
| 8675BD12 BK | Matte Black | (Does not mount into Extender Stems) | 50W Max. |

Features

- Ring:** die-cast aluminum with cool grip insulation band, a high temperature silicone rubber which allows aiming adjustments while fixture is on.
- Socket:** bi-pin base ceramic socket, prewired with 18 ga.stranded Teflon leads with fiberglass outer sleeve.
- Male Jack Connector:** mounted 3/8" dia. stainless steel stem plugs into any 8600 Power Jack, allows for continuous horizontal rotation.
- Tension Pivot Mount:** die-cast aluminum. Allows for 180° vertical rotation.
- Lamp Guard:** tempered glass.
- Spring:** steel springs hold lamp and housing in place.
- Socket Boot:** high temperature insulated silicone rubber and aluminum heat shield encases socket.
- Stem lock:** plastic bushing used to lock fixture into Power Jack.
- Set screw:** Locks horizontal rotation.

Finish

All painted finishes are baked enamel.

Options & Accessories

| | |
|------------------------------|--|
| Accessory Holder | 7662 Sof-Tech series; holds one accessory. |
| All 2" Color Filters | AF2 (BL, RD, MM, YG, BG, MA, SP, LS, SB, BA, DA, LP, GR) |
| Prismatic Spread Lens | AF2SY |
| Beam Elongator | AF2AS |
| UV Filter | AF2UV |
| Beam Smoother | AF2LF |
| Hexcell Louver | AL2HC |

Electrical/Dimming

For dimming information refer to Power Jack specification sheets.

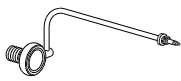
Labels

UL

| Job Information | Type: |
|-----------------|-------|
| Job Name: | |
| Cat. No.: | |
| Lamp(s): | |
| Notes: | |

Lightolier a Genlyte Thomas Company www.lightolier.com
 631 Airport Road, Fall River, MA 02720 • (508) 679-8131 • Fax (508) 674-4710
 We reserve the right to change details of design, materials and finish.
 © 2002 Genlyte Thomas Group LLC (Lightolier Division) • B0806

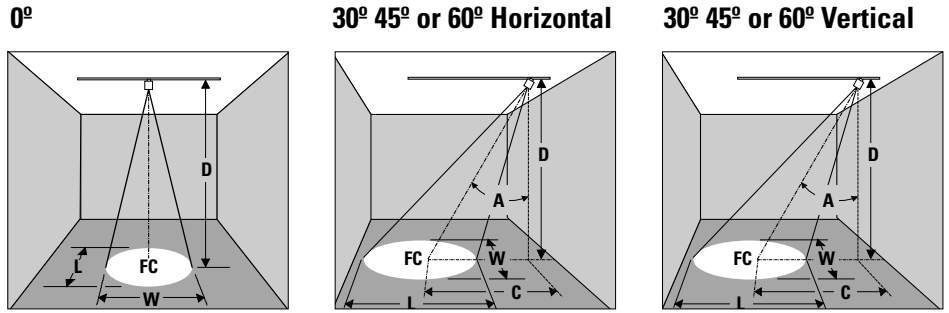
LIGHTOLIER®



Lighting Data

Aiming Angle:

L Beam length
W Beam width
C Distance to center of beam
D Distance
A Aiming angle
FC Footcandles
L and **W** are the outer points where the candlepower drops to 50% of the maximum. **FC** are the initial footcandles at the center of the beam.



Lamp

| Beam Spread 50% Max CP | Beam Center C.P. Candelas | Rated Life-Hrs | 0° Aiming Angle | | | | | A = 30° Aiming Angle | | | | | A = 45° Aiming Angle | | | | | A = 60° Aiming Angle | | | | |
|---------------------------------|------------------------------|-------------------|-----------------|-----|------|------|--|----------------------|------|------|-------|-------|----------------------|-------|------|-------|-------|----------------------|-------|-------|-------|------|
| | | | D | FC | L | W | | D | C | FC | L | W | D | C | FC | L | W | D | C | FC | L | W |
| 20W MR16 (T-H) VNSP (EZX) 7° | 8200 | 3000 | 7' | 167 | 0.9' | 0.9' | | 6' | 3.5' | 148 | 1.0' | 0.8' | 4' | 4.0' | 181 | 1.0' | 0.7' | 2' | 3.5' | 256 | 1.0' | 0.5' |
| | | | 10' | 82 | 1.2' | 1.2' | | 9' | 5.2' | 66 | 1.5' | 1.3' | 6' | 6.0' | 81 | 1.5' | 1.0' | 3' | 5.2' | 114 | 1.5' | 0.7' |
| | | | 13' | 49 | 1.6' | 1.6' | | 12' | 6.9' | 37 | 2.0' | 1.7' | 8' | 8.0' | 45 | 2.0' | 1.4' | 4' | 6.9' | 64 | 2.0' | 1.0' |
| 20W MR16 (T-H) NSP (ESX) 13° | 3600 | 3000 | 16' | 32 | 2.0' | 2.0' | | 15' | 8.7' | 24 | 2.4' | 2.1' | 10' | 10.0' | 29 | 2.5' | 1.7' | 5' | 8.7' | 41 | 2.5' | 1.2' |
| | | | 6' | 100 | 1.4' | 1.4' | | 5' | 2.8' | 94 | 1.5' | 1.3' | 3' | 3.0' | 141 | 1.4' | 1.0' | 2' | 3.5' | 113 | 1.9' | 0.9' |
| | | | 8' | 58 | 1.8' | 1.8' | | 7' | 4.0' | 48 | 2.1' | 1.8' | 5' | 5.0' | 51 | 2.3' | 1.6' | 3' | 5.2' | 50 | 2.8' | 1.4' |
| 20W MR16 (T-H) FL (BAB) 40° | 525 | 4000 | 10' | 38 | 2.3' | 2.3' | | 9' | 5.2' | 29 | 2.7' | 2.4' | 7' | 7.0' | 28 | 3.2' | 2.3' | 4' | 6.9' | 28 | 3.8' | 1.8' |
| | | | 4' | 33 | 2.9' | 2.9' | | 11' | 6.4' | 19 | 3.4' | 2.9' | 9' | 9.0' | 18 | 4.2' | 2.9' | 5' | 8.7' | 18 | 4.3' | 2.3' |
| | | | 5' | 21 | 3.6' | 3.6' | | 5' | 2.9' | 14 | 5.1' | 4.2' | 5' | 5.0' | 7 | 8.4' | 5.1' | 1' | 1.7' | 66 | 4.8' | 1.5' |
| 35W MR16 (T-H) NSP (FRB) 12° | 8700 | 4000 | 2' | 131 | 1.5' | 1.5' | | 2' | 1.2' | 85 | 2.0' | 1.7' | 2' | 2.0' | 45 | 3.4' | 2.1' | 2' | 3.5' | 16 | 9.7' | 2.9' |
| | | | 3' | 58 | 2.2' | 2.2' | | 3' | 1.7' | 38 | 3.0' | 2.5' | 3' | 3.0' | 21 | 5.0' | 3.1' | 3' | 5.2' | 7 | 14.5' | 4.4' |
| | | | 4' | 33 | 2.9' | 2.9' | | 5' | 2.3' | 21 | 4.1' | 3.4' | 4' | 4.0' | 12 | 6.7' | 4.1' | 4' | 6.9' | 7 | 14.5' | 4.4' |
| 35W MR16 (T-H) SP (FRA) 20° | 3900 | 4000 | 5' | 21 | 3.6' | 3.6' | | 5' | 2.9' | 14 | 5.1' | 4.2' | 5' | 5.0' | 7 | 8.4' | 5.1' | 4' | 6.9' | 7 | 14.5' | 4.4' |
| | | | 7' | 178 | 1.5' | 1.5' | | 6' | 3.5' | 157 | 1.7' | 1.5' | 4' | 4.0' | 192 | 1.7' | 1.2' | 2' | 3.5' | 272 | 1.7' | 0.8' |
| | | | 10' | 87 | 2.1' | 2.1' | | 9' | 5.2' | 70 | 2.5' | 2.2' | 6' | 6.0' | 85 | 2.6' | 1.8' | 3' | 5.2' | 121 | 2.6' | 1.3' |
| 35W MR16 (T-H) SP (FRA) 20° | 3900 | 4000 | 13' | 51 | 2.7' | 2.7' | | 12' | 6.9' | 39 | 3.4' | 2.9' | 8' | 8.0' | 48 | 3.4' | 2.4' | 4' | 6.9' | 68 | 3.5' | 1.7' |
| | | | 16' | 34 | 3.4' | 3.4' | | 15' | 8.7' | 25 | 4.2' | 3.6' | 10' | 10.0' | 31 | 4.3' | 3.0' | 5' | 8.7' | 44 | 4.3' | 2.1' |
| | | | 6' | 108 | 2.1' | 2.1' | | 5' | 2.9' | 101 | 2.4' | 2.0' | 3' | 3.0' | 153 | 2.2' | 1.5' | 2' | 3.5' | 122 | 3.1' | 1.4' |
| 42W MR16 (T-H) VNSP (EZY) 9° | 13100 | 3500 | 8' | 61 | 2.8' | 2.8' | | 7' | 4.0' | 52 | 3.3' | 2.9' | 5' | 5.0' | 56 | 3.6' | 2.5' | 3' | 5.2' | 54 | 4.7' | 2.1' |
| | | | 10' | 39 | 3.5' | 3.5' | | 19' | 5.2' | 31 | 4.3' | 3.7' | 7' | 7.0' | 28 | 5.1' | 3.5' | 4' | 6.9' | 30 | 6.2' | 2.8' |
| | | | 12' | 27 | 4.2' | 4.2' | | 111' | 6.4' | 21 | 5.2' | 4.5' | 9' | 9.0' | 17 | 6.6' | 4.5' | 5' | 8.7' | 20 | 7.8' | 3.5' |
| 50W MR16 (T-H) NFL (EXZ) 27° | 3400 | 4000 | 11' | 205 | 1.3' | 1.3' | | 20' | 33 | 3.1' | 3.1' | 16' | 9.2' | 33 | 3.4' | 2.9' | 11' | 11.0' | 38 | 3.5' | 2.4' | |
| | | | 8' | 94 | 2.9' | 2.9' | | 7' | 4.0' | 174 | 1.5' | 1.3' | 5' | 5.0' | 185 | 1.6' | 1.1' | 3' | 5.2' | 182 | 1.9' | 0.9' |
| | | | 12' | 91 | 1.9' | 1.9' | | 10' | 5.8' | 85 | 2.1' | 1.8' | 7' | 7.0' | 95 | 2.2' | 1.6' | 4' | 6.9' | 102 | 2.6' | 1.3' |
| 50W MR16 (T-H) FL (EXN) 40° | 1850 | 4000 | 13' | 51 | 2.5' | 2.5' | | 12' | 24 | 5.8' | 5.8' | 9' | 9.0' | 57 | 2.9' | 2.0' | 5' | 8.7' | 66 | 3.2' | 1.6' | |
| | | | 6' | 94 | 2.9' | 2.9' | | 5' | 2.9' | 88 | 3.3' | 2.8' | 3' | 3.0' | 134 | 3.1' | 2.0' | 6' | 10.4' | 45 | 3.8' | 1.9' |
| | | | 8' | 53 | 3.8' | 3.8' | | 7' | 4.0' | 45 | 4.6' | 3.9' | 5' | 5.0' | 48 | 5.1' | 3.4' | 9' | 9.0' | 15 | 9.2' | 6.1' |
| 50W MR16 (T-H) WFL (FNV) 55° | 1150 | 4000 | 10' | 34 | 4.8' | 4.8' | | 9' | 5.2' | 27 | 5.9' | 5.0' | 7' | 7.0' | 25 | 7.1' | 4.8' | 2' | 3.5' | 106 | 4.6' | 1.9' |
| | | | 4' | 116 | 2.9' | 2.9' | | 10' | 19 | 7.3' | 7.3' | 9' | 9.0' | 15 | 9.1' | 7.6' | 3' | 5.2' | 47 | 7.0' | 2.9' | |
| | | | 6' | 51 | 4.4' | 4.4' | | 3' | 1.7' | 134 | 3.0' | 2.5' | 3' | 3.0' | 73 | 5.0' | 3.1' | 4' | 6.9' | 27 | 9.3' | 3.8' |
| 75W MR16 (T-H) NSP (EYF) 14° | 12000 | 4000 | 5' | 29 | 5.8' | 5.8' | | 5' | 2.9' | 48 | 5.1' | 4.2' | 4' | 4.0' | 41 | 6.7' | 4.1' | 5' | 8.7' | 17 | 11.6' | 4.8' |
| | | | 3' | 128 | 3.1' | 3.1' | | 7' | 4.0' | 25 | 7.4' | 5.9' | 4' | 4.0' | 26 | 8.4' | 5.1' | 1' | 1.7' | 231 | 4.8' | 1.5' |
| | | | 5' | 46 | 5.2' | 5.2' | | 9' | 5.2' | 9 | 13.7' | 10.8' | 9' | 9.0' | 9 | 13.7' | 10.8' | 2' | 3.5' | 58 | 9.7' | 2.9' |
| 75W MR16 (T-H) NFL (EYJ) 25° | 4900 | 4000 | 7' | 23 | 7.3' | 7.3' | | 20' | 30 | 4.9' | 4.9' | 16' | 9.2' | 30 | 5.3' | 4.5' | 4' | 6.9' | 14 | 19.3' | 5.8' | |
| | | | 8' | 188 | 2.0' | 2.0' | | 3' | 1.7' | 83 | 4.6' | 3.6' | 2' | 2.0' | 102 | 5.7' | 2.9' | 4' | 6.9' | 14 | 19.3' | 5.8' |
| | | | 12' | 83 | 2.9' | 2.9' | | 5' | 2.9' | 30 | 7.8' | 6.0' | 3' | 3.0' | 45 | 8.6' | 4.4' | 5' | 5.0' | 16 | 14.3' | 7.4' |
| 75W MR16 (T-H) FL (EYC) 42° | 2100 | 4000 | 4' | 49 | 4.4' | 4.4' | | 7' | 4.0' | 15 | 10.7' | 8.4' | 4' | 4.0' | 25 | 11.4' | 5.9' | 1' | 1.7' | 144 | 22.3' | 2.1' |
| | | | 6' | 136 | 2.7' | 2.7' | | 20' | 30 | 4.9' | 4.9' | 16' | 9.2' | 30 | 5.3' | 4.5' | 2' | 3.5' | 36 | 44.5' | 4.2' | |
| | | | 8' | 77 | 3.5' | 3.5' | | 7' | 4.0' | 159 | 2.3' | 2.0' | 5' | 5.0' | 170 | 2.5' | 1.7' | 3' | 5.2' | 167 | 3.1' | 1.5' |
| 75W MR16 (T-H) FL (EYC) 42° | 2100 | 4000 | 16' | 47 | 3.9' | 3.9' | | 10' | 5.8' | 78 | 3.3' | 2.8' | 7' | 7.0' | 87 | 3.5' | 2.4' | 4' | 6.9' | 94 | 4.1' | 2.0' |
| | | | 6' | 136 | 2.7' | 2.7' | | 12' | 34 | 5.3' | 5.3' | 11' | 6.4' | 26 | 6.0' | 5.6' | 5' | 8.7' | 60 | 5.1' | 2.5' | |
| | | | 8' | 58 | 4.6' | 4.6' | | 5' | 2.9' | 127 | 3.0' | 2.6' | 3' | 3.0' | 192 | 2.8' | 1.9' | 6' | 10.4' | 42 | 6.2' | 2.9' |
| 75W MR16 (T-H) FL (EYC) 42° | 2100 | 4000 | 10' | 49 | 4.4' | 4.4' | | 3' | 1.7' | 152 | 3.2' | 2.7' | 3' | 3.0' | 82 | 5.4' | 3.3' | 9' | 9.0' | 21 | 8.4' | 5.6' |
| | | | 6' | 136 | 2.7' | 2.7' | | 5' | 2.9' | 55 | 5.4' | 4.4' | 4' | 4.0' | 46 | 7.2' | 4.3' | 2' | 3.5' | 153 | 4.2' | 1.8' |
| | | | 8' | 58 | 4.6' | 4.6' | | 7' | 4.0' | 65 | 4.2' | 3.6' | 5' | 5.0' | 69 | 4.7' | 3.1' | 2' | 3.5' | 153 | 4.2' | 1.8' |
| 75W MR16 (T-H) FL (EYC) 42° | 2100 | 4000 | 16' | 47 | 3.9' | 3.9' | | 9' | 5.2' | 39 | 5.4' | 4.6' | 9' | 9.0' | 35 | 6.5' | 4.4' | 3' | 5.2' | 68 | 6.2' | 2.7' |
| | | | 6' | 136 | 2.7' | 2.7' | | 10' | 21 | 7.7' | 7.7' | 9' | 9.0' | 17 | 9.7' | 8.0' | 4' | 6.9' | 38 | 8.3' | 3.5' | |
| | | | 8' | 58 | 4.6' | 4.6' | | 3' | 1.7' | 152 | 3.2' | 2.7' | 3' | 3.0' | 82 | 5.4' | 3.3' | 5' | 8.7' | 25 | 10.4' | 4.4' |
| 75W MR16 (T-H) FL (EYC) 42° | 2100 | 4000 | 4' | 131 | 3.1' | 3.1' | | 5' | 2.9' | 55 | 5.4' | 4.4' | 4' | 4.0' | 46 | 7.2' | 4.3' | 6' | 6.0' | 21 | 10.8' | 6.5' |
| | | | 6' | 58 | 4.6' | 4.6' | | 7' | 4.0' | 28 | 7.5' | 6.2' | 5' | 5.0' | 30 | 9.0' | 5.4' | 1' | 1.7' | 263 | 5.5' | 1.5' |
| | | | 8' | 33 | 6.1' | 6.1' | | 7' | 4.0' | 28 | 7.5' | 6.2' | 5' | 5.0' | 30 | 9.0' | 5.4' | 2' | 3.5' | 66 | 11.0' | 3.1' |
| 75W MR16 (T-H) FL (EYC) 42° | 2100 | 4000 | 16' | 47 | 3.9' | 3.9' | | 9' | 5.2' | 9 | 13.7' | 10.8' | 9' | 9.0' | 9 | 13.7' | 10.8' | 3' | 5.2' | 29 | 15.5' | 4.6' |
| | | | 4' | 131 | 3.1' | 3.1' | | 7' | 4.0' | 28 | 7.5' | 6.2' | 5' | 5.0' | 30 | 9.0' | 5.4' | 4' | 6.9' | 16 | 22.0' | 6.1' |
| | | | 6' | 58 | 4.6' | 4.6' | | 7' | 4.0' | 28 | 7.5' | 6.2' | 5' | 5.0' | 30 | 9.0' | 5.4' | 4' | 6.9' | 16 | 22.0' | 6.1' |

Job Information Type:

Lightolier a Genlyte Thomas Company www.lightolier.com
 631 Airport Road, Fall River, MA 02720 • (508) 679-8131 • Fax (508) 674-4710
 We reserve the right to change details of design, materials and finish.
 © 2002 Genlyte Thomas Group LLC (Lightolier Division) • A0902

LIGHTOLIER®