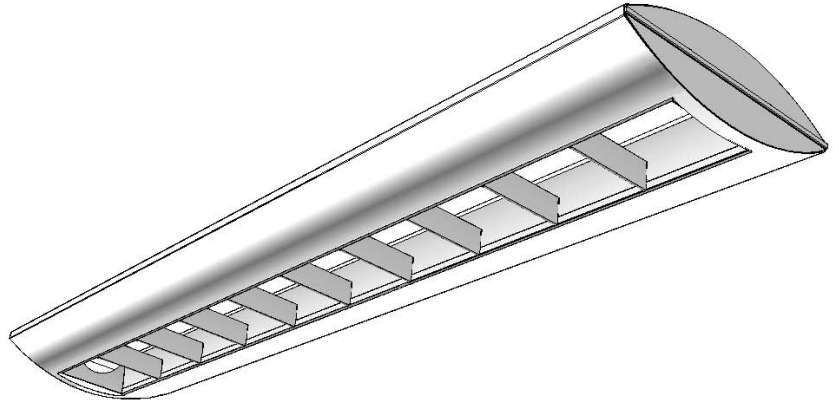


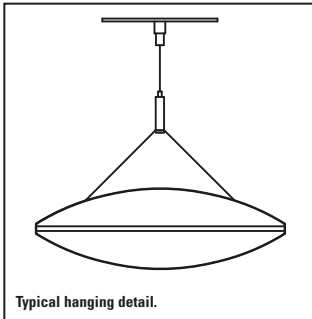
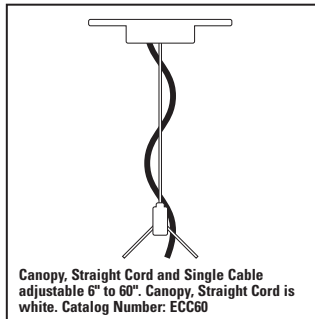
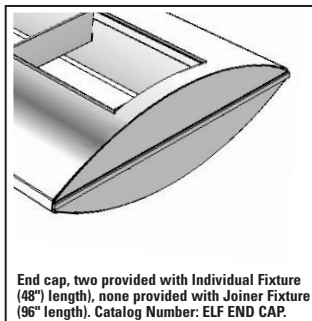
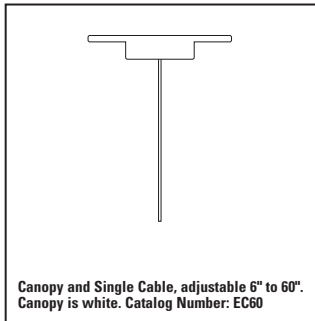
Lytecel™-EL EL4MF10LX228 or 254

Features

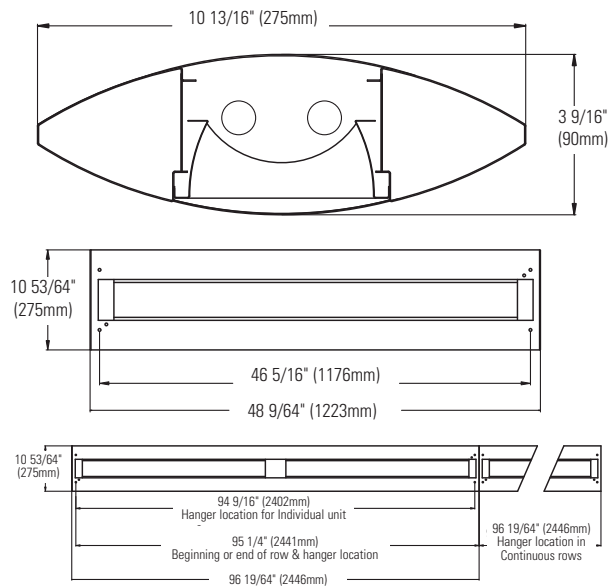
- Ideal for offices, stores or schools.
- Subtle low-profile ellipsoidal shape.
- Seamless welded 20 gauge steel body.
- No visible fasteners.
- 60% uplight, 40% downlight distribution.
- Low iridescence semi-specular aluminum parabolic louver.
- 2 lamp 28 watt T5 is 79.5% efficient.
- 2 lamp 54 watt T5HO is 81.9% efficient.
- Spacing mounting ratio of 1.5.
- 48 9/64" and 96 19/64" lengths.
- Same fixture can be used individually or for row mounting.
- 3 #12 wires included for continuous mounting.
- Powder coated flat white polyester enamel finish.
- Cable mounted only.



Mounting Methods/Features



Dimensions



Job Information

Type:

Job Name:

Cat. No.:

Lamp(s):

Volts/Ballast:

Lightolier a Genlyte company

www.lightolier.com

Technical Information: (978) 657-7600 • Fax (978) 658-0595

631 Airport Road, Fall River, MA 02720 • (508) 679-8131 • Fax (508) 674-4710

We reserve the right to change details of design, materials and finish.

Lytecel™-EL EL4MF10LX228 or 254

Uplight/Downlight, Pendant, 3-9/16" Deep, 10-13/16" Wide
48" or 96" Nominal Lengths, 2 Lamp T5

Model No. EL4MF10LX228UNVPG

LER = FP - 38.3 IW - 66 BF - 1.0
Comparative yearly lighting energy cost per
1000 lumens = \$6.27

Report Number: G2007025
Catalog Number: EL4F10F10LX228UNVPG
Lamp: (2) F28T5
Luminaire: Lytecel EL Downlight with Semi
Specular Louver
Ballast: Triad B228PUNV-C
Report is based on 2900 Lumens per lamp.

Efficiency: 79.5%
CIE Type-Direct-Indirect
Plane: 0-Deg 90-Deg
Spacing Criteria: 1.2 1.5
Shielding Angles: 90 90
Plane: 0-Deg 90-Deg
Luminous Length: 46.200 3.960

CANDELA DISTRIBUTION

	0.0	45.0	90.0	FLUX
0	749	749	749	
5	730	749	764	71
15	687	753	829	215
25	622	771	865	348
35	539	707	722	417
45	440	545	695	441
55	324	454	487	389
65	191	217	210	208
75	48	62	84	73
85	7	13	17	15
95	16	27	36	31
105	88	106	138	122
115	232	363	322	308
125	356	481	677	457
135	459	619	692	465
145	548	739	796	437
155	623	737	857	341
165	679	724	773	206
175	714	725	730	69

COEFFICIENTS OF UTILIZATION – ZONAL CAVITY METHOD, EFFECTIVE FLOOR CAVITY REFLECTANCE 0.20

RC	80	50	30	10	50	30	10
1	78	74	71	58	56	54	47
2	71	65	60	51	48	45	42
3	65	57	52	45	41	38	37
4	59	51	45	40	36	32	33
5	54	45	39	36	31	28	30
6	50	40	34	32	28	24	27
7	46	36	30	29	25	21	24
8	43	33	27	26	22	19	22
9	40	30	24	24	20	17	20
10	37	28	22	22	18	15	19

LUMINANCE DATA IN CANDELA/SQ. METER

AVERAGE IN DEG.	AVERAGE 0-DEG.	AVERAGE 45-DEG.	AVERAGE 90-DEG.
45	5270.	6528.	8324.
55	4784.	6704.	7191.
65	3828.	4349.	4208.
75	1571.	2029.	2749.
85	680.	1263.	1652.

ZONAL LUMEN SUMMARY

ZONE	LUMENS	% LAMP	% FIXT
0- 30	634	10.9	13.8
0- 40	1051	18.1	22.8
0- 60	1881	32.4	40.8
0- 90	2178	37.5	47.2
90-180	2436	42.0	52.8
0-180	4613	79.5	100.0

Model No. EL4MF10LX254UNVPG

LER = FP - 68.5 IW - 119 BF - 1.0
Comparative yearly lighting energy cost per
1000 lumens = \$3.50

Report Number: G2007011
Catalog Number: EL4MF10LX254UNVPG
Lamp: (2) F54T5
Luminaire: Lytecel EL Downlight with Semi
Specular Louver
Ballast: Triad B254P UNV-D
Report is based on 5000 Lumens per lamp.

Efficiency: 81.9%
CIE Type-Direct-Indirect
Plane: 0-Deg 90-Deg
Spacing Criteria: 1.2 1.4
Shielding Angles: 90 90
Plane: 0-Deg 90-Deg
Lumen Length: 46.200 3.960

CANDELA DISTRIBUTION

	0.0	45.0	90.0	FLUX
0	1256	1256	1256	
5	1228	1256	1275	120
15	1152	1262	1391	360
25	1040	1290	1445	582
35	896	1173	1177	689
45	727	884	1159	729
55	533	752	791	636
65	303	384	346	338
75	74	103	139	119
85	10	21	29	26
95	56	77	61	96
105	227	449	262	377
115	426	729	837	691
125	622	1041	1042	828
135	802	1144	1339	854
145	956	1177	1360	733
155	1076	1200	1305	553
165	1159	1215	1255	343
175	1202	1221	1227	116

COEFFICIENTS OF UTILIZATION – ZONAL CAVITY METHOD, EFFECTIVE FLOOR CAVITY REFLECTANCE 0.20

RC	80	50	30	10	50	30	10
1	79	76	73	58	56	54	47
2	72	67	62	51	48	45	42
3	66	59	53	45	41	38	37
4	60	52	46	40	36	33	30
5	55	46	40	36	31	28	29
6	51	41	35	32	28	24	27
7	47	37	31	29	25	21	24
8	44	34	28	26	22	19	22
9	41	31	25	24	20	17	20
10	38	28	22	22	18	15	19

LUMINANCE DATA IN CANDELA/SQ. METER

AVERAGE IN DEG.	AVERAGE 0-DEG.	AVERAGE 45-DEG.	AVERAGE 90-DEG.
45	8707.	10588.	13881.
55	7870.	11104.	11679.
65	6072.	6974.	6934.
75	2421.	3370.	4548.
85	972.	2041.	2818.

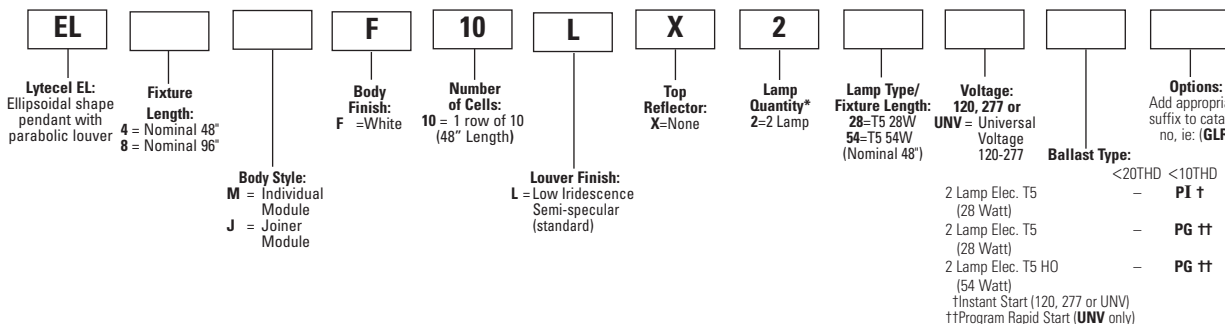
ZONAL LUMEN SUMMARY

ZONE	LUMENS	% LAMP	% FIXT
0- 30	1062	10.6	13.0
0- 40	1751	17.5	21.4
0- 60	3116	31.2	38.0
0- 90	3599	36.0	43.9
90-180	4592	45.9	56.1
0-180	8191	81.9	100.0

Ordering Information

Explanation of Catalog Number: Example: EL4MF10LX228UNVPG

*For any additional ballast or wiring combination consult factory.
8' Units have lamps in tandem



Options/accessories

Single Cable and Canopy. Catalog Number: **EC60**.
Single Cable, Straight Cord and Canopy. Catalog Number: **ECC60**.
Electrical Wiring Options: Consult factory.
Fusing: Internal fast-blow fusing. Suffix: **GLR**.
Internal slow-blow fusing. Suffix: **GMF**.

Specifications

Performance: In an installation of 2 lamp 28W luminaires with a room cavity ratio of 1, with reflectance 80% ceiling, 50% wall, 20% floor, the C.U. shall be not less than .74. Candelas at 65° shall not exceed 210 (10 cell). To control veiling reflections, luminaire output in the 30°- 90° zone shall be not less than 35%.
Materials: Chassis parts are die-formed 20 gauge cold rolled steel, End caps are 18 gauge cold rolled steel with a ribbed accent.
Louvers: Pre-anodized aluminum (Coilzak® or equal).
Finish: Louver—low iridescence semi-specular anodized aluminum (standard).

Specifications (continued)

Chassis: Flat white polyester powder coat (standard).
Rust preventive undercoating.
Electrical: Thermally protected class "P" ballast, non PCB. If K.O. is within 3" of ballast, use wire suitable for at least 90°.
Labels: I.B.E.W./UL and ULc Listed.

Job Information Type:

Lightlier a Genlyte company www.lightlier.com
Technical Information: (978) 657-7600 • Fax (978) 658-0595
631 Airport Road, Fall River, MA 02720 • (508) 679-8131 • Fax (508) 674-4710
We reserve the right to change details of design, materials and finish.