

Ordering Information

Catalog No.	Finish	Mounting	Lamps
23F39T4AL 23F39T4BK 23F39T4WH	Aluminum Black White	For use with Lytespan Radius, Basic and Advent Track. Not compatible with extension wands or slope ceiling adapters. For monopoint applications refer to spec sheet 6172.	39W T4 GU6.5 Base Ceramic Metal Halide

Features

- Track Attachment Fitting:** Locking lever for mechanical/ electrical connection.
- Brass Contact:** Extends for connection to second circuit (Advent track only).
- Horizontal Pivot:** Wireless stem profile with 365° horizontal rotation. Position may be locked using an allen key.
- Vertical Pivot:** 0-90° vertical adjustment with aiming indicator. Position may be locked using an allen key.
- Fixture Housing:** Extruded and diecast aluminum.
- Ballast Housing:** Molded polycarbonate
- Lamp Cartridge:** Allows easy side relamping without removal of glass shield.
- Safety Lens:** Tempered 1/8" glass. Meets or exceeds UL safety requirement for metal halide lamps.
- On/Off Switch:** Rocker switch to disconnect power to the ballast.
- Safety Locking Lever:** Locks ballast housing to track.

Finish

All Painted finishes are baked enamel.

Accessories

Visor: 22VZ4AL, 22VZ4BK, 22VZ4WH

Electrical

Electronic Ballast
 Input Voltage: 120V
 Power Factor: .9
 Input Power: 45W
 Max. Input Current: 0.40A
 ANSI Code: C(M)130
 Do not use on dimming circuit.

Labels

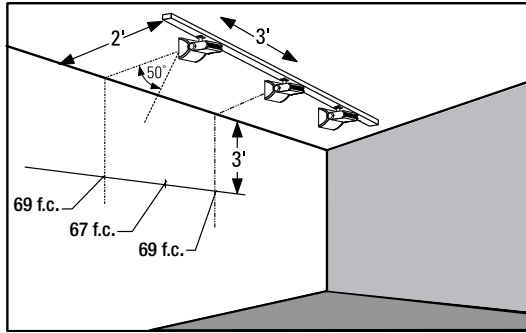
UL, cUL

Job Information	Type:
Job Name:	
Cat. No.:	
Lamp(s):	
Notes:	

631 Airport Road, Fall River, MA 02720 • (508) 679-8131 • Fax (508) 674-4710
 We reserve the right to change details of design, materials and finish.
 www.lightolier.com © 2008 Philips Group • B0908

Lighting Data

Footcandles on wall:



Lamp Information:
 20W T4 Gu6.5
 Lumens: 1615
 Rated Avg. life: 9,000 hrs.

EXAMPLE: With track located 2' from wall and multiple units spaced 3' on center and aimed 50° from horizontal, the illumination on wall 3' from ceiling will be 33 f.c. beneath units and 32 f.c. between units.

Footcandles on Wall

Track 2 Feet From Wall

Single Unit

Distance From Ceiling	Beam Center				
	0'	1'	2'	3'	4'
1	120	86	36	8	2
2	86	69	36	13	4
3	44	38	25	13	4
4	23	21	17	11	4
5	15	13	11	6	4
6	8	8	6	6	4
7	6	6	4	4	2
8	4	4	4	2	2

Multiple Units

2' Spacing			3' Spacing			4' Spacing			
1	187	189	187	134	124	134	126	69	126
2	160	162	160	111	109	111	95	74	95
3	97	99	97	69	67	69	55	50	55
4	59	61	59	44	44	44	34	34	34
5	38	40	38	29	29	29	23	23	23
6	25	25	25	21	21	21	17	17	17
7	19	19	19	15	15	15	13	13	13
8	13	13	13	11	11	11	8	8	8

Track 3 Feet From Wall

Single Unit

Distance From Ceiling	Beam Center				
	0'	1'	2'	3'	4'
1	59	50	29	13	4
2	59	53	34	17	6
3	40	36	27	17	8
4	23	23	19	13	8
5	36	36	13	8	6
6	11	11	8	6	6
7	8	6	6	6	4
8	6	4	4	4	4

Multiple Units

3' Spacing			4' Spacing			5' Spacing			
1	84	84	84	67	50	67	61	42	61
2	92	95	92	71	69	71	63	50	63
3	71	71	71	55	55	55	46	42	46
4	50	50	50	40	40	40	32	32	32
5	36	36	36	29	29	29	23	23	23
6	27	27	27	21	21	21	19	19	19
7	21	21	21	17	17	17	15	15	15
8	15	15	15	13	13	13	11	11	11

Job Information

Type:

631 Airport Road, Fall River, MA 02720 • (508) 679-8131 • Fax (508) 674-4710
 We reserve the right to change details of design, materials and finish.
 www.lightolier.com © 2008 Philips Group • B0908