

Ordering Information

Catalog No.	Finish	Mounting	Lamps
23F20T4AL 23F20T4BK 23F20T4WH	Aluminum Black White	For use with Lytespan Radius, Basic and Advent Track. Not compatible with extension wands or slope ceiling adapters. For monopoint applications refer to spec sheet 6171.	20W T4 GU6.5 Base Ceramic Metal Halide

Features

- Track Attachment Fitting:** Locking lever for mechanical/ electrical connection.
- Brass Contact:** Extends for connection to second circuit (Advent track only).
- Horizontal Pivot:** Wireless stem profile with 365° horizontal rotation. Position may be locked using an allen key.
- Vertical Pivot:** 0-90° vertical adjustment with aiming indicator. Position may be locked using an allen key.
- Fixture Housing:** Extruded and diecast aluminum.
- Ballast Housing:** Molded polycarbonate
- Lamp Cartridge:** Allows easy side relamping without removal of glass shield.
- Safety Lens:** Tempered 1/8" glass. Meets or exceeds UL safety requirement for metal halide lamps.
- On/Off Switch:** Rocker switch to disconnect power to the ballast.
- Safety Locking Lever:** Locks ballast housing to track.

Finish

All Painted finishes are baked enamel.

Accessories

Visor: 22VZ4AL, 22VZ4BK, 22VZ4WH

Electrical

Electronic Ballast
 Input Voltage: 120V
 Power Factor: High
 Input Power: 24.5W
 Max. Input Current: 0.20A
 ANSI Code: M156
 Do not use on dimming circuit.

Labels

UL, cUL

Job Information

Type:

Job Name:

Cat. No.:

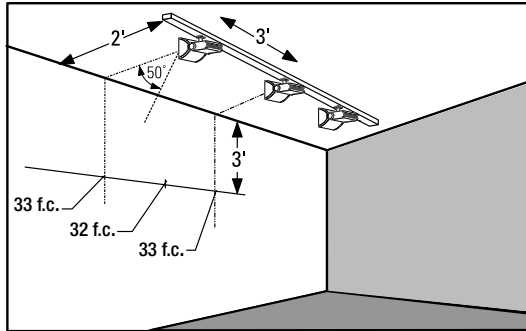
Lamp(s):

Notes:

631 Airport Road, Fall River, MA 02720 • (508) 679-8131 • Fax (508) 674-4710
 We reserve the right to change details of design, materials and finish.
 www.lightolier.com © 2008 Philips Group • B0308

Lighting Data

Footcandles on wall:



Lamp Information:

20W T4 Gu6.5
Lumens: 1615
Rated Avg. life: 9,000 hrs.

EXAMPLE: With track located 2' from wall and multiple units spaced 3' on center and aimed 50° from horizontal, the illumination on wall 3' from ceiling will be 33 f.c. beneath units and 32 f.c. between units.

Footcandles on Wall

Track 2 Feet From Wall

Single Unit

Distance From Ceiling	Beam Center				
	0'	1'	2'	3'	4'
1'	57	41	17	4	1
2'	41	33	17	6	2
3'	21	18	12	6	2
4'	11	10	8	5	2
5'	7	6	5	3	2
6'	4	4	3	3	2
7'	3	3	2	2	1
8'	2	2	2	1	1

Multiple Units

2' Spacing			3' Spacing			4' Spacing		
89	90	89	64	59	64	60	33	60
76	77	76	53	52	53	45	35	45
46	47	46	33	32	33	26	24	26
28	29	28	21	21	21	16	16	16
18	19	18	14	14	14	11	11	11
12	12	12	10	10	10	8	8	8
9	9	9	7	7	7	6	6	6
6	6	6	5	5	6	4	4	4

Track 3 Feet From Wall

Single Unit

Distance From Ceiling	Beam Center				
	0'	1'	2'	3'	4'
1'	28	24	14	6	2
2'	28	25	16	8	3
3'	19	17	13	8	4
4'	11	11	9	6	4
5'	17	17	6	4	3
6'	5	5	4	3	3
7'	4	3	3	3	2
8'	3	2	2	2	2

Multiple Units

3' Spacing			4' Spacing			5' Spacing		
40	40	40	32	24	32	29	20	29
44	45	44	34	33	34	30	24	30
34	34	34	26	26	26	22	20	22
24	24	24	19	19	19	15	15	15
17	17	17	14	14	14	11	11	11
13	13	13	10	10	10	9	9	9
10	10	10	8	8	8	7	7	7
7	7	7	6	6	6	5	5	5

Job Information

Type:

631 Airport Road, Fall River, MA 02720 • (508) 679-8131 • Fax (508) 674-4710
We reserve the right to change details of design, materials and finish.
www.lightolier.com © 2008 Philips Group • B0308