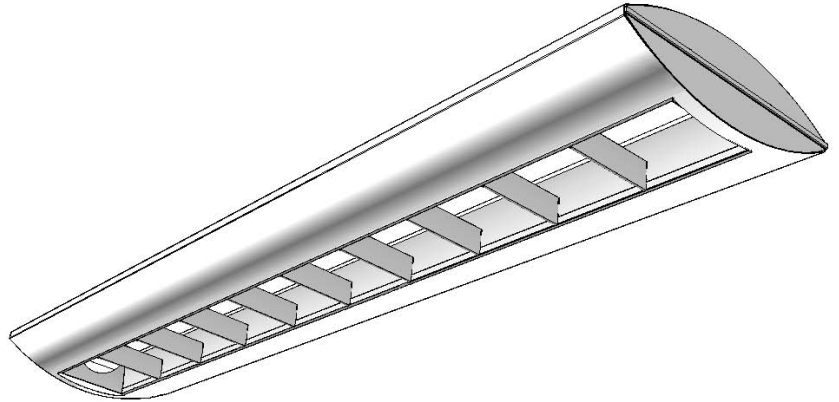


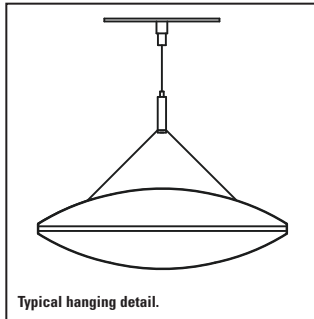
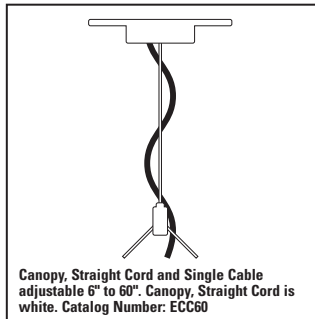
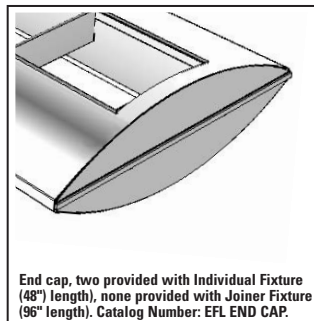
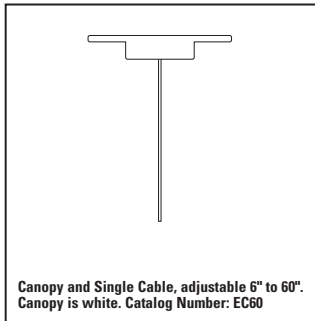
Lytecel™-EL EL4MF10LX232

Features

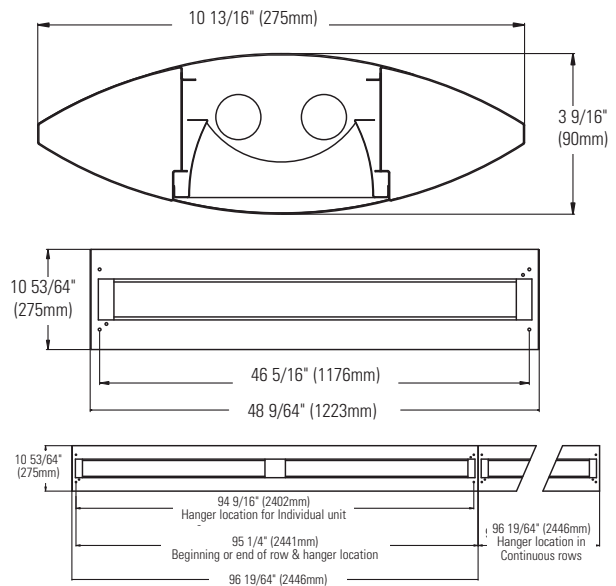
- Ideal for offices, stores or schools.
- Subtle low-profile ellipsoidal shape.
- Seamless welded 20 gauge steel body.
- No visible fasteners.
- 60% uplight, 40% downlight distribution.
- Low iridescence semi-specular aluminum parabolic louver.
- 2 lamp 32 watt T8 is 73.5% efficient.
- Spacing mounting ratio of 1.3.
- 48 9/64" and 96 19/64" lengths.
- Same fixture can be used individually or for row mounting.
- 3 #12 wires included for continuous mounting.
- Powder coated flat white polyester enamel finish.
- Cable mounted only.



Mounting Methods/Features



Dimensions



Job Information

Type:

Job Name:

Cat. No.:

Lamp(s):

Volts/Ballast:

Lightolier a Genlyte company

www.lightolier.com

Technical Information: (978) 657-7600 • Fax (978) 658-0595

631 Airport Road, Fall River, MA 02720 • (508) 679-8131 • Fax (508) 674-4710

We reserve the right to change details of design, materials and finish.

Model No. EL4MF10LX232UNVHI

LER = FP - 80.0 IW - 61.3 BF - 1.03
Comparative yearly lighting energy cost per 1000 lumens = \$3.00

Report Number: G2007008
Catalog Number: EL4MF10LX232UNVHI
Lamp: (2) F32T8
Luminaire: Lytecel-EL Downlight with Semi Specular Louver
Ballast: ICN-2P32-SC
Report is based on 2850 Lumens per lamp.
Efficiency: 73.5%
CIE Type-Direct-Indirect
Plane: 0-Deg 90-Deg
Spacing Criteria: 1.2 1.3
Shielding Angles: 90 90
Plane: 0-Deg 90-Deg
Luminous Length: 46.200 3.960

CANDELA DISTRIBUTION

	0.0	45.0	90.0	FLUX
0	789	789	789	
5	771	786	799	75
15	723	779	836	220
25	651	731	767	331
35	556	623	672	391
45	446	498	649	407
55	318	414	453	352
65	177	204	192	192
75	41	56	79	66
85	6	12	17	15
95	33	38	31	52
105	132	294	188	223
115	251	429	459	395
125	373	560	614	477
135	486	668	726	492
145	584	728	805	445
155	661	740	811	341
165	714	745	774	211
175	741	750	756	72

COEFFICIENTS OF UTILIZATION – ZONAL CAVITY METHOD, EFFECTIVE FLOOR CAVITY REFLECTANCE 0.20

RC	80	50	30	10	50	30	10
RW 70	81	77	74	59	57	55	48
1	81	77	74	59	57	55	48
2	74	68	63	52	49	46	42
3	67	60	54	46	42	39	37
4	62	53	47	41	37	33	30
5	57	47	41	36	32	29	27
6	52	42	36	33	28	25	24
7	48	38	32	30	25	22	21
8	45	35	28	27	23	19	17
9	41	31	25	20	17	14	13
10	39	29	23	19	16	13	12

LUMINANCE DATA IN CANDELA/SQ. METER

AVERAGE IN DEG.	AVERAGE 0-DEG.	AVERAGE 45-DEG.	AVERAGE 90-DEG.
45	5342.	5965.	7773.
55	4695.	6113.	6689.
65	3547.	4088.	3848.
75	1342.	1832.	2585.
85	583.	1166.	1652.

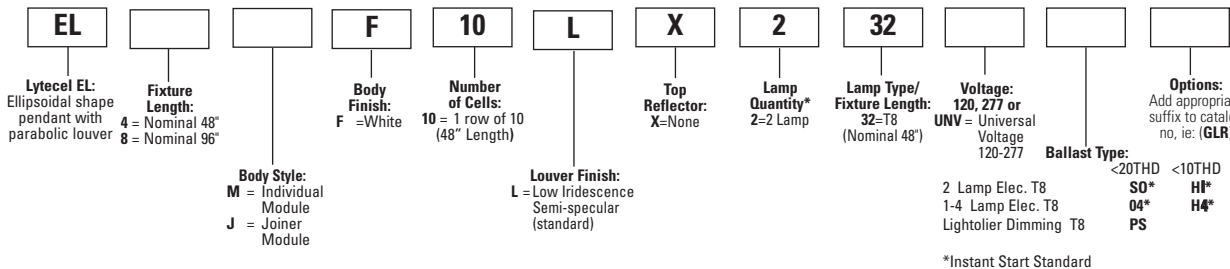
ZONAL LUMEN SUMMARY

ZONE	LUMENS	% LAMP	% FIXT
0- 30	626	11.0	13.2
0- 40	1017	17.8	21.4
0- 60	1776	31.2	37.3
0- 90	2049	35.9	43.1
90-180	2708	47.5	56.9
0-180	4757	83.5	100.0

Ordering Information

Explanation of Catalog Number: Example: EL4MF10LX232UNVHI

*For any additional ballast or wiring combination consult factory.
8' Units have lamps in tandem



Options/accessories

- Single Cable and Canopy.** Catalog Number: **EC60.**
- Single Cable, Straight Cord and Canopy.** Catalog Number: **ECC60.**
- Electrical Wiring Options:** Consult factory.
- Fusing:** Internal fast-blow fusing. Suffix: **GLR.**
Internal slow-blow fusing. Suffix: **GMF.**

Specifications

Performance: In an installation of 2 lamp 28W luminaires with a room cavity ratio of 1, with reflectance 80% ceiling, 50% wall, 20% floor, the C.U. shall be not less than .77. Candelas at 65° shall not exceed 204 (10 cell). To control veiling reflections, luminaire output in the 30°- 90° zone shall be not less than 29.9%.

Materials: **Chassis parts** are die-formed 20 gauge cold rolled steel, End caps are 18 gauge cold rolled steel with a ribbed accent.

Louver: Pre-anodized aluminum (Coilzak® or equal).

Finish: **Louver**—low iridescence semi-specular anodized aluminum (standard).

Specifications (continued)

- Chassis:** Flat white polyester powder coat (standard).
Rust preventive undercoating.
- Electrical:** Thermally protected class "P" ballast, non PCB. If K.O. is within 3" of ballast, use wire suitable for at least 90°.
- Labels:** I.B.E.W./UL and ULc Listed.

Job Information Type:

Lightlier a Genlyte company www.lightlier.com
Technical Information: (978) 657-7600 • Fax (978) 658-0595
631 Airport Road, Fall River, MA 02720 • (508) 679-8131 • Fax (508) 674-4710
We reserve the right to change details of design, materials and finish.