

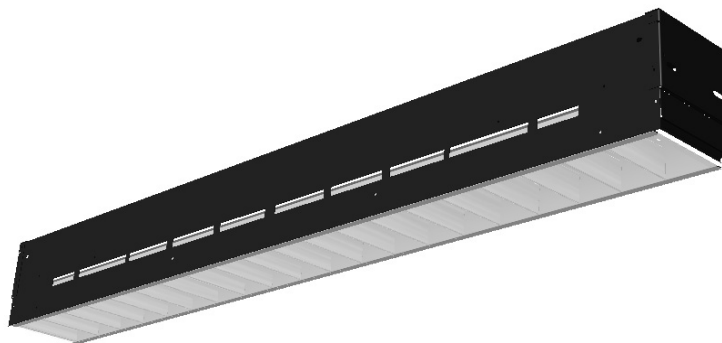
# Lytecel Recessed Fluorescent LIS6G20LW228

Page 1 of 2

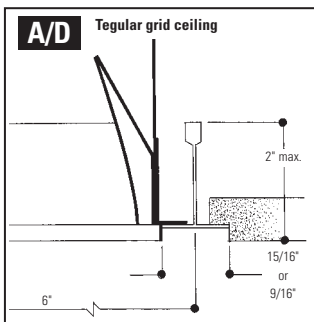
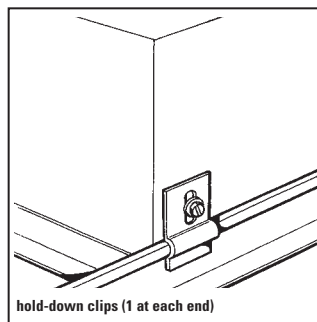
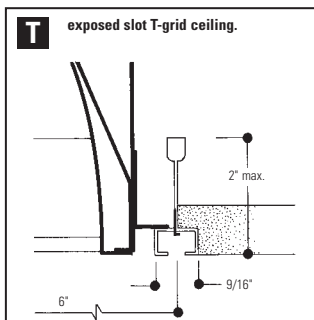
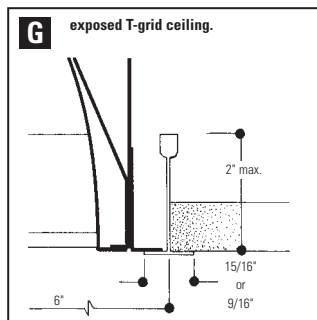
6" wide x 48", 20 Cell (1 Row) Parabolic Louver, Air Return/Static, 2 Lamp T5, IES RP1 For VDT Areas

## Features

- 52.0% efficient (2 lamp) semi-specular louver.
- 55.3% efficient (2 lamp) specular louver.
- 1.3 spacing mounting ratio semi-specular louver
- 1.5 spacing mounting ratio specular louver.
- Semi-specular or specular, low iridescence, pre-anodized aluminum louver.
- Vertical grain on cross blades eliminates reflected lamp image.
- Spring loaded latches (self centering).
- Louver has protective dust guard.
- Only 5-1/2" deep body.
- Black housing exterior for cooler ballast operating temperature.
- UL-Listed twin knockout access plate.
- Can be mounted in continuous rows.
- 2 hold-down clips standard.
- Compatible with **Armstrong TECHZONE™** ceiling systems.
- Meets NYC Code requirements.
- Construction to meet Chicago Plenum Code is available.
- Optional DALI ballast accepts digital dimming commands from computers, scene controllers and automatic control devices.

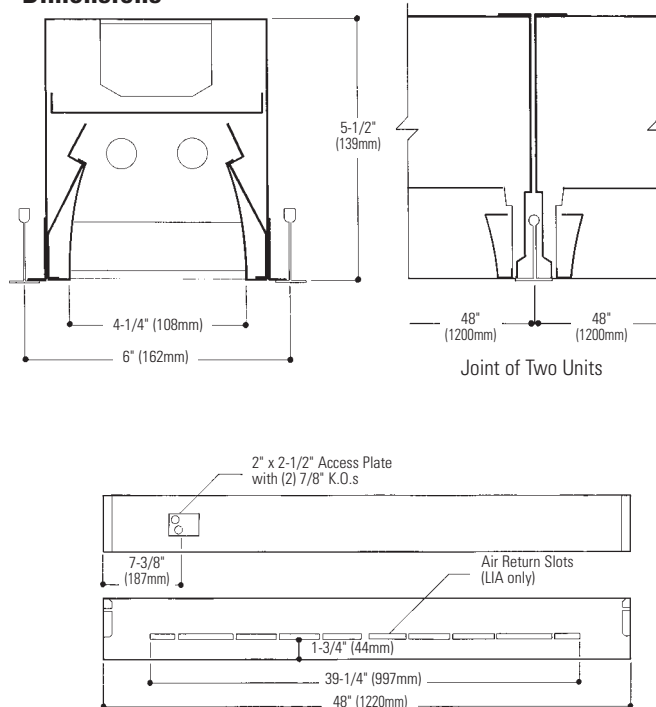


## Mounting Methods



Shown in **Armstrong TECHZONE™** ceiling.

## Dimensions



## Job Information

## Type:

**Job Name:**

**Cat. No.:**

**Lamp(s):**

**Volts/Ballast:**

Lightolier a Genlyte company

www.lightolier.com

Technical Information: (978) 657-7600 • Fax (978) 658-0595

631 Airport Road, Fall River, MA 02720 • (508) 679-8131 • Fax (508) 674-4710

We reserve the right to change details of design, materials and finish.

© 2007 a Genlyte company

Section 2/Folio G07-34



# Lytecel Recessed Fluorescent LIS6G20LW228

## 6" wide x 48", 20 Cell (1 Row) Parabolic Louver, Air Return/Static, 2 Lamp T5, IES RP1 For VDT Areas

### Model No. LIS6G20LW228120PG

LER = FP - 43.3 IW - 66.0 BF - 1.0  
 Comparative yearly lighting energy cost per 1000 lumens = \$5.54  
 Report Number: G1206007  
 Catalog Number: LIS6G20LW228120PG  
 Lamp: F28 T5  
 Luminaire: 6" wide Troffer with semi-specular louver and white reflector.  
 Ballast: Advance ICN-2S28  
 Report is based on 2750 Lumens per lamp.  
 Efficiency: 52.0%  
 CIE Type-Direct-Indirect  
 Plane: 0-Deg 90-Deg  
 Spacing Criteria: 1.2 1.3  
 Shielding Angles: 90 90  
 Plane: 0-Deg 90-Deg  
 Luminous Length: 47.943 5.816

#### CANDELA DISTRIBUTION

	0.0	45.0	90.0	FLUX
0	1373	1373	1373	
5	1300	1383	1363	133
15	1278	1420	1516	393
25	1188	1382	1403	614
35	1023	1139	1216	711
45	829	868	861	668
55	488	348	137	288
65	26	36	31	37
75	3	5	9	6
85	1	2	3	2
90	1	2	1	

#### COEFFICIENTS OF UTILIZATION – ZONAL CAVITY METHOD. EFFECTIVE FLOOR CAVITY REFLECTANCE 0.20

RC	80	50	30	10	50	30	10
RW 70	58	55	53	52	51	51	50
2	54	51	48	46	45	47	45
3	50	46	43	44	41	39	43
4	47	42	38	40	37	35	36
5	44	38	34	37	33	31	36
6	41	35	31	33	30	28	33
7	38	32	28	31	27	25	30
8	35	29	25	28	25	23	28
9	33	27	23	26	23	20	26
10	31	25	21	24	21	19	24

#### TYPICAL V.C.P.'s

Room Size	Mounting Height						
	Lengthwise			Crosswise			
	Luminaires 0 Deg Plane		Luminaires 90 Deg Plane				
	8.5	10	8.5	10	8.5	10	
30x30	87	84	80	71	93	89	85
40x40	87	84	81	78	94	91	89
60x30	87	84	81	77	93	89	87
60x60	87	83	81	79	94	91	90
100x100	88	83	81	79	94	92	91

#### LUMINANCE DATA IN CANDELA/SQ. METER

AVERAGE IN DEG.	AVERAGE 0-DEG.	AVERAGE 45-DEG.	AVERAGE 90-DEG.
45	6515.	6821.	6766.
55	4728.	3371.	1327.
65	342.	473.	408.
75	64.	107.	193.
85	64.	128.	181.

#### ZONAL LUMEN SUMMARY

ZONE	LUMENS	% LAMP	% FIXT
0- 30	1144	20.8	40.0
0- 40	1856	33.7	64.9
0- 60	2812	51.1	98.4
0- 90	2858	52.0	100.0
90-180	0	0.0	0.0
0-180	2858	52.0	100.0

### Model No. LIS6G20PW228120PG

LER = FP - 45.8 IW - 66.0 BF - 1.0  
 Comparative yearly lighting energy cost per 1000 lumens = \$5.24  
 Report Number: G1206008  
 Catalog Number: LIS6G20PW228120PG  
 Lamps: F28 T5  
 Luminaire: 6" wide Troffer with semi-specular louver and specular reflector.  
 Ballast: Advance ICN-2S28  
 Report is based on 2750 Lumens per lamp.  
 Efficiency: 55.3%  
 CIE Type-Direct-Indirect  
 Plane: 0-Deg 90-Deg  
 Spacing Criteria: 1.3 1.5  
 Shielding Angles: 90 90  
 Plane: 0-Deg 90-Deg  
 Luminous Length: 47.943 5.816

#### CANDELA DISTRIBUTION

	0.0	45.0	90.0	FLUX
0	1348	1347	1348	
5	1337	1348	1377	134
15	1278	1470	1522	414
25	1184	1483	1448	649
35	1079	1221	1262	756
45	893	963	980	737
55	586	377	113	314
65	1	35	29	27
75	1	4	9	5
85	1	2	4	2
90	0	1	1	

#### COEFFICIENTS OF UTILIZATION – ZONAL CAVITY METHOD. EFFECTIVE FLOOR CAVITY REFLECTANCE 0.20

RC	80	50	30	10	50	30	10
RW 70	62	60	58	56	55	54	53
2	58	54	51	51	49	47	46
3	54	49	46	47	44	42	45
4	50	45	41	43	39	37	41
5	46	40	36	39	35	33	35
6	43	37	33	35	32	29	35
7	40	34	30	33	29	26	32
8	38	31	27	30	26	24	29
9	35	29	24	28	24	22	27
10	33	26	22	26	22	20	25

#### TYPICAL V.C.P.'s

Room Size	Mounting Height						
	Lengthwise			Crosswise			
	Luminaires 0 Deg Plane		Luminaires 90 Deg Plane				
	8.5	10	8.5	10	8.5	10	
30x30	86	76	73	71	93	88	85
40x40	86	76	75	74	94	90	87
60x30	86	76	75	76	93	88	85
60x60	86	77	76	76	94	91	89
100x100	86	77	76	76	93	92	91

#### LUMINANCE DATA IN CANDELA/SQ. METER

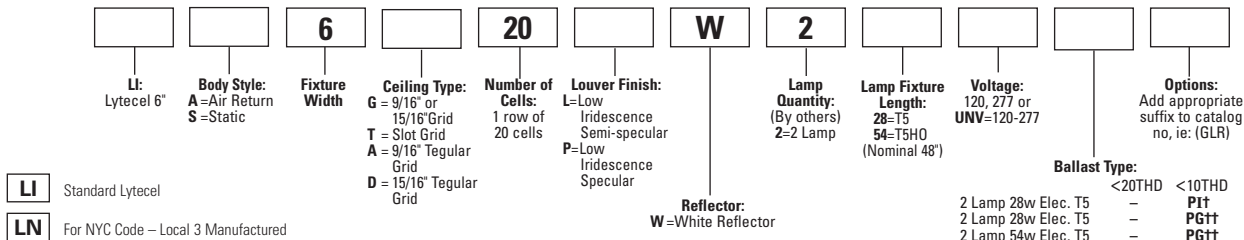
AVERAGE IN DEG.	AVERAGE 0-DEG.	AVERAGE 45-DEG.	AVERAGE 90-DEG.
45	7018.	7568.	7701.
55	5677.	3652.	1095.
65	13.	460.	381.
75	21.	86.	193.
85	64.	128.	255.

#### ZONAL LUMEN SUMMARY

ZONE	LUMENS	% LAMP	% FIXT
0- 30	1198	21.8	39.4
0- 40	1954	35.5	64.3
0- 60	3004	54.6	98.8
0- 90	3039	55.3	100.0
90-180	0	0.0	0.0
0-180	3039	55.3	100.0

## Ordering Information

Explanation of Catalog Number. Example: LIS6G20LW228120PG



## Options/Accessories

**Access Plate:** Top Wiring access plate is shipped with fixture as standard. When access plates are required in advance for wiring convenience, specify separately. Order Catalog Number: **ACP5 CSP**.

**Electrical/Wiring Options:** Consult factory.

**EM Pack or Dimming Ballast:** Consult factory.

**Fusing:** Internal fast-blow fusing. Suffix: **GLR**.  
 Internal slow-blow fusing. Suffix: **GMF**.

**Chicago Plenum:** Suffix: **CP**.

## Specifications

**Performance:** In an installation of 2 lamp 28W semi-specular luminaires in a room cavity ratio of 1, reflectance 80% ceiling, 50% wall, 20% floor, the C.U. shall not be less than .56 with a spacing to mounting ratio of 1.3 perpendicular to the lamps. To meet IES RP-1 for VDT areas the VCP (visual comfort probability) shall not be less than 87 either crosswise or lengthwise and the candela value between 55° and 90° in the 0° to 90° planes shall not exceed 2858. Candelas at Nadir (0°) not to exceed 1373.

**Air Handling-(LIA)** side air passages for air return.

**Materials: Chassis parts** are die-formed cold rolled steel.

**Louver:** Pre-anodized aluminum (Coilzak® or equal).

## Specifications (continued)

**Finish: Louver**—specular or semi-specular low iridescence pre-anodized reflector sheet. **Reflector:** White baked polyester enamel or specular reflector.

**Chassis exterior**—black baked polyester enamel.

**Electrical:** Thermally protected class "P" ballast C.B.M. approved, non PCB. If K.O. is within 3" of ballast, use wire suitable for at least 90°.

**Labels:** I.B.E.W./UL and ULc Listed.

This product may have a mercury containing lamp. Manage in accord with Disposal Laws. See: www.lamprecycle.org

## Job Information

## Type:

**Lightolier** a Genlyte company www.lightolier.com  
 Technical Information: (978) 657-7600 • Fax (978) 658-0595  
 631 Airport Road, Fall River, MA 02720 • (508) 679-8131 • Fax (508) 674-4710  
 We reserve the right to change details of design, materials and finish.  
 © 2007 a Genlyte company **Section 2/Folio G07-34**

# LIGHTOLIER®