

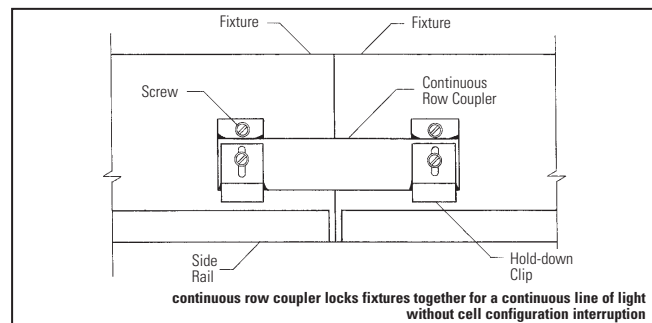
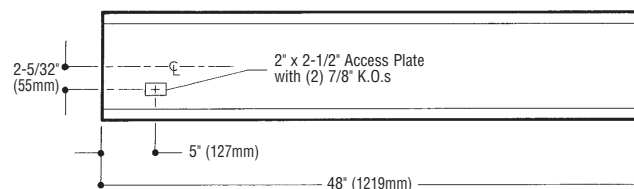
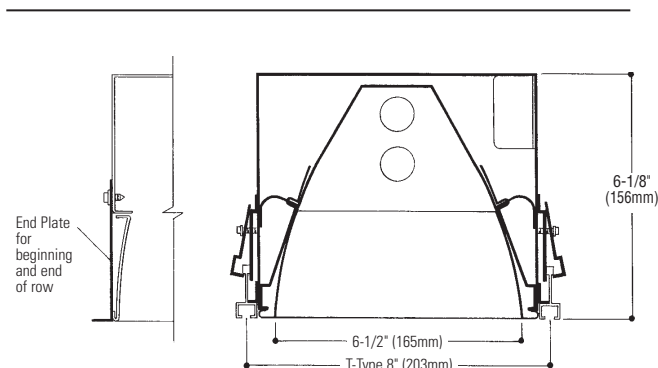
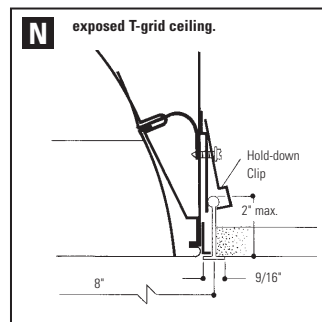
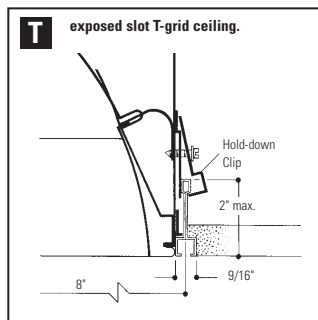
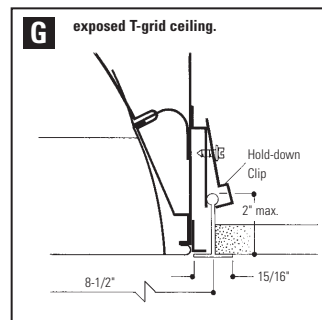
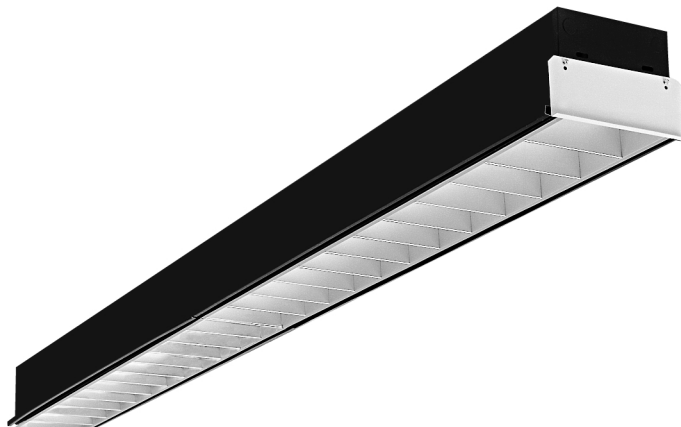
Lytecel Recessed Fluorescent **LCS8G12PR232**

Page 1 of 2

For Continuous Row Mounting – 6-1/2" wide, 12 Cell (1 Row) Parabolic Louver, Static, 2 Lamp T8, IES RP1 For VDT Areas

Features

- 48" long louver gives an uninterrupted louver appearance when row mounted.
- Meets IES RP1 for lighting VDT areas.
- 61.0% efficient (T8).
- 1.4 spacing mounting ratio.
- Specular, low iridescence, pre-anodized aluminum louver.
- Vertical grain on cross blades eliminates reflected lamp image.
- Spring loaded latches (self centering).
- Reversible louver hinging.
- Louver has protective dust guard.
- Only 6-1/8" deep body.
- Black housing exterior for cooler ballast operating temperature.
- Turned-in edges for safe handling.
- UL-Listed twin knockout access plate.
- Construction to meet NYC Code or Chicago Plenum is available.
- Optional DALI ballast accepts digital dimming commands from computers, scene controllers and automatic control devices.



Job Information	Type:
Job Name:	
Cat. No.:	
Lamp(s):	
Volts/Ballast:	

Lightolier a Genlyte Thomas Company www.lightolier.com
 Technical Information: (978) 657-7600 • Fax (978) 658-0595
 631 Airport Road, Fall River, MA 02720 • (508) 679-8131 • Fax (508) 674-4710
 We reserve the right to change details of design, materials and finish.
 Copyright 2004 Lightolier **Section 2/Folio G07-21**



Lytecel Recessed Fluorescent **LCS8G12PR232**

Page 2 of 2

For Continuous Row Mounting – 6-1/2" wide, 12 Cell (1 Row) Parabolic Louver, Static, 2 Lamp T8, IES RP1 For VDT

Photometry

Model No. **LCS8G12PR232120S0**

LER = FP - 52.1 IW - 58.0 BF - 0.87
Comparative yearly lighting energy cost per 1000 lumens = \$4.61

TESTING LABORATORY
45 Industrial Way
Wilmington, MA 01887
(978) 657-7600

REPORT NO.: G03007
CATALOG NO.: LCS8G12PR232120S0
DATE: 02-13-2003

LAMP(S): 2 F32/T8 TL841, EACH RATED 2850 LUMENS.
LUMINAIRE: 9X4S WITH SPECULAR 12 CELL LOUVER, RP-1 COMPLIANT
TRIAD B2321120
0.46 AMPS 55.6 WATTS

CANDELA DISTRIBUTION

	0.0	22.5	45.0	67.5	90.0	FLUX
0	1870	1870	1870	1870	1870	
5	1854	1860	1858	1872	1882	179
15	1741	1787	1997	2121	2160	554
25	1539	1739	2019	2375	2399	925
35	1268	1591	1834	1697	1637	1018
45	877	1162	914	586	422	640
55	90	191	179	67	46	140
65	12	12	11	14	9	14
75	6	6	5	5	4	6
85	4	4	4	4	3	4
90	0	0	0	0	0	

ZONAL LUMEN SUMMARY

ZONE	LUMENS	%LAMP	%EXIT
0-30	1658	29.1	47.7
0-40	2676	46.9	76.9
0-60	3455	60.6	99.3
0-90	3479	61.0	100.0
90-180	0	0.0	0.0
0-180	3479	61.0	100.0

TOTAL LUMINAIRE EFFICIENCY = 61.0 %
TOTAL REFLECTANCE OF PAINT = 90.0 %
CIE TYPE - DIRECT

PLANE: 0-DEG 90-DEG
SPACING CRITERIA: 1.1 1.4
SHIELDING ANGLES: 55 55
PLANE: 0-DEG 90-DEG
LUMINOUS LENGTH: 48.000 12.000

LUMINANCE DATA IN CANDELA/SQ M

IN DEG	0-DEG	45-DEG	90-DEG	AVERAGE
45	3336	3477	1605	
55	422	939	216	
65	76	70	57	
75	62	52	42	
85	123	123	93	

THIS REPORT IS BASED ON PUBLISHED INDUSTRY PROCEDURES • FIELD PERFORMANCE MAY VARY FROM LABORATORY PERFORMANCE.

coefficients of utilization — zonal cavity method

RF	20			20			20		
RC	80			50			30		
RW	70	50	30	50	30	10	50	30	10
1	69	67	65	63	62	60	61	60	59
2	65	61	58	58	56	54	56	54	53
3	60	56	52	53	50	48	52	49	47
4	57	51	47	49	46	43	48	45	43
5	53	47	43	45	42	39	44	41	39
6	50	43	39	42	38	35	41	37	35
7	46	40	35	38	35	32	38	34	32
8	44	37	32	36	32	29	35	32	29
9	41	34	30	33	29	27	32	29	27
10	39	32	28	31	27	25	30	27	25

visual comfort probability

room size		ceiling height				ceiling height			
W	L	8.5	10.0	13.0	16.0	8.5	10.0	13.0	16.0
20	20	93	95	93	83	99	98	98	94
20	30	95	95	93	84	99	98	98	95
20	40	96	95	93	84	99	98	98	95
20	60	95	96	93	84	99	98	98	95
30	20	93	95	94	86	99	98	98	94
30	30	95	95	94	86	99	98	98	95
30	40	95	95	94	86	99	98	98	95
30	60	95	96	94	87	99	98	98	95
40	20	93	95	94	87	99	98	98	94
40	30	95	95	94	88	99	98	98	95
40	40	95	95	94	88	99	98	98	95
40	60	95	96	94	88	99	98	98	95
40	80	97	97	94	88	99	98	98	95
40	100	97	97	94	88	99	98	98	95
60	30	95	95	94	88	99	98	98	95
60	40	94	95	94	88	99	98	98	95
60	60	97	97	94	88	99	98	98	95
60	80	97	97	95	88	99	98	98	95
60	100	97	97	95	88	99	98	98	95
100	40	94	95	94	88	99	98	98	95
100	60	97	97	95	88	99	98	98	95
100	80	97	97	95	88	99	98	98	95
100	100	97	97	95	88	98	98	98	95

Ordering Information

Explanation of Catalog Number. Example: LCS8G12PR232120S0GLR

Blank = Standard N = NYC Code	LC Lytecel 8" Continuous	S Body Style: S=Static	8 Fixture Width	12 Number of Cells: 1 row of 12 cells	R Louver Finish: P=Low Iridescence Specular L=Low Iridescence Semi-specular	2 Lamp Quantity	32 Lamp/Fixture Length: 32-T8 (Nominal 48")	Voltage: 120 or 277	Ballast Type: <20THD SO* HI*	Options: Add appropriate suffix to catalog no, ie: (GLR)
----------------------------------	---------------------------------------	-------------------------------------	------------------------------	--	---	------------------------------	--	------------------------	------------------------------------	---

Reflector:
R= Semi-Specular
95%
Reflective

2 Lamp Elec. T8
*Instant Start Standard
Other dimming options, consult factory.

DA=DALI digital addressable dimming.

Options/Accessories

Access Plate: Top Wiring access plate is shipped with fixture as standard. When access plates are required in advance for wiring convenience, specify separately. Order Catalog Number: **ACP5 CSP**.

Electrical/Wiring Options: Consult factory.

Fusing: Internal fast-blow fusing. Suffix: **GLR**.
Internal slow-blow fusing. Suffix: **GMF**.

Chicago Plenum: Suffix: **CP**.

Specifications

Performance: In an installation of 2 lamp 32W luminaires in a room cavity ratio of 1, reflectance 80% ceiling, 50% wall, 20% floor, the C.U. shall not be less than .67 with a spacing to mounting ratio of 1.4 perpendicular to the lamps. To meet IES RP-1 for VDT areas the VCP (visual comfort probability) shall not be less than 97 either crosswise or lengthwise and the candela value between 55° and 90° in the 0° to 90° planes shall not exceed 839. Candelas at Nadir (0°) not to exceed 1870.

Materials: Chassis parts are die-formed cold rolled steel. Housing is with all edges turned-in for safe handling.

Louver: Pre-anodized aluminum (Coilzak® or equal).

Specifications (continued)

Finish: Louver—specular low iridescence pre-anodized reflector sheet.

Reflector: Semi-Specular reflector sheet, 95% reflective. Chassis exterior—black baked polyester enamel.

Electrical: Thermally protected class "P" ballast C.B.M. approved, non PCB. If K.O. is within 3" of ballast, use wire suitable for at least 90°.

Labels: I.B.E.W./UL and ULc Listed.

Job Information

Type:

Lightolier a Genlyte Thomas Company www.lightolier.com
Technical Information: (978) 657-7600 • Fax (978) 658-0595
631 Airport Road, Fall River, MA 02720 • (508) 679-8131 • Fax (508) 674-4710
We reserve the right to change details of design, materials and finish.
Copyright 2004 Lightolier Section2/Folio G07-21

LIGHTOLIER®