

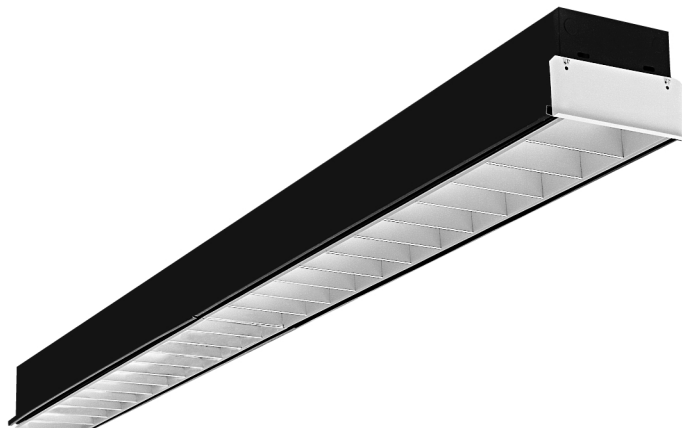
# Lytecel Recessed Fluorescent **LCS8G12PR132**

Page 1 of 2

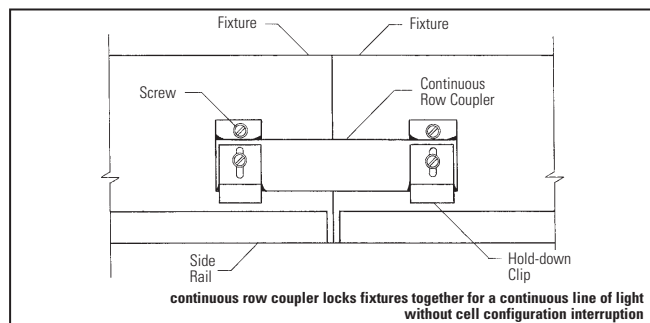
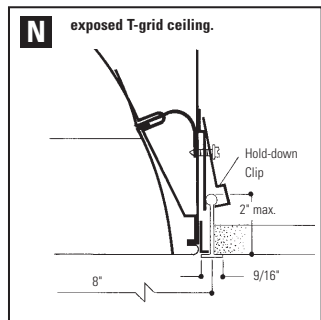
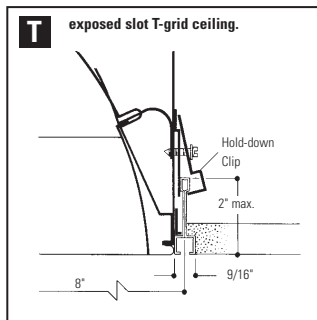
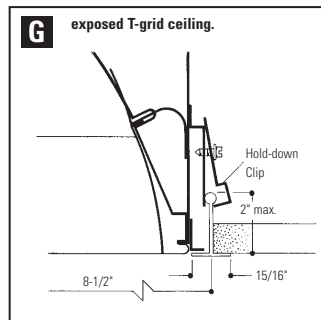
For Continuous Row Mounting – 6-1/2" wide, 12 Cell (1 Row) Parabolic Louver, Static, 1 Lamp T8, IES RP1 For VDT Areas

## Features

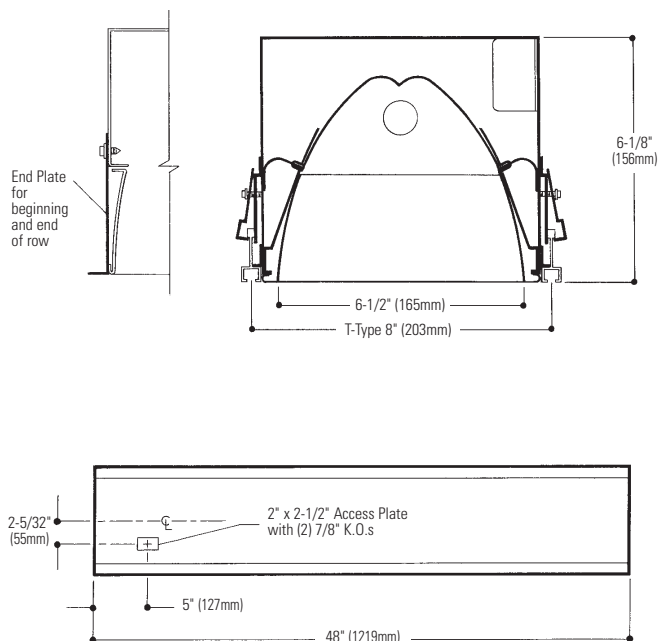
- 48" long louver gives an uninterrupted louver appearance when row mounted.
- Meets IES RP1 for lighting VDT areas.
- 65.2% efficient (T8).
- 1.5 spacing mounting ratio.
- Specular, low iridescence, pre-anodized aluminum louver.
- Vertical grain on cross blades eliminates reflected lamp image.
- Spring loaded latches (self centering).
- Reversible louver hinging.
- Louver has protective dust guard.
- Only 6-1/8" deep body.
- Black housing exterior for cooler ballast operating temperature.
- Turned-in edges for safe handling.
- UL-Listed twin knockout access plate.
- Construction to meet NYC Code or Chicago Plenum is available.
- Optional DALI ballast accepts digital dimming commands from computers, scene controllers and automatic control devices.



## Mounting Methods



## Dimensions



## Job Information

Type:

Job Name:

Cat. No.:

Lamp(s):

Volts/Ballast:

Lightolier a Genlyte Thomas Company [www.lightolier.com](http://www.lightolier.com)  
 Technical Information: (978) 657-7600 • Fax (978) 658-0595  
 631 Airport Road, Fall River, MA 02720 • (508) 679-8131 • Fax (508) 674-4710  
 We reserve the right to change details of design, materials and finish.  
 Copyright 2004 Lightolier **Section 2/Folio G07-19**



# Lytecel Recessed Fluorescent **LCS8G12PR132**

For Continuous Row Mounting – 6-1/2" wide, 12 Cell (1 Row) Parabolic Louver, Static, 1 Lamp T8, IES RP1 For VDT Areas

## Photometry

Model No. **LCS8G12PR132120S0**

LER = FP - 53.2 IW - 32 BF - 0.92  
Comparative yearly lighting energy cost per 1000 lumens = \$4.53

45 Industrial Way  
 Wilmington, MA 01887  
 (978) 657-7600

REPORT NO.: G02090      DATE: 12-17-2002  
 CATALOG NO.: LCS8G12PR132120S0  
 LAMP(S): 1 F32/T8 TL841, RATED 2850 LUMENS  
 LUMINAIRE: 9X48 WITH SPECULAR 12 CELL LOUVER, RP1 COMPLIANT  
 TRIAD B2321120  
 0.31 AMPS 34.7 WATTS

CANDELA DISTRIBUTION	FLUX
0.0 22.5 45.0 67.5 90.0	
0 908 908 908 908	
5 900 925 959 978 983	91
15 854 929 997 1093 1135	285
25 756 872 1073 1133 1153	467
35 637 829 957 1057 1049	567
45 448 621 584 363 246	365
55 47 92 93 42 13	72
65 3 6 5 9 5	7
75 3 3 3 3 2	3
85 2 2 2 2 2	2
90 0 0 0 0 0	0

**ZONAL LUMEN SUMMARY**

ZONE	LUMENS	%LAMP	%FIXT
0- 30	842	29.6	45.3
0- 40	1410	49.5	75.8
0- 60	1847	64.8	99.4
0- 90	1859	65.2	100.0
90-180	0	0.0	0.0
0-180	1859	65.2	100.0

TOTAL LUMINAIRE EFFICIENCY = 65.2 %  
 TOTAL REFLECTANCE OF PAINT = 90.0 %  
 CIE TYPE - DIRECT

PLANE : 0-DEG 90-DEG  
 SPACING CRITERIA : 1.2 1.5  
 SHIELDING ANGLES : 55 55  
 PLANE : 0-DEG 90-DEG  
 LUMINOUS LENGTH : 45.960 6.480

LUMINANCE DATA IN CANDELA/FOOT  
 ANGLE AVERAGE AVERAGE AVERAGE  
 IN DEG 0-DEG 45-DEG 90-DEG  
 45 3296. 4297. 1810.  
 55 426. 844. 118.  
 65 62. 62. 62.  
 75 60. 60. 40.  
 85 119. 119. 119.

THIS REPORT IS BASED ON PUBLISHED INDUSTRY PROCEDURES - FIELD PERFORMANCE MAY VARY FROM LABORATORY PERFORMANCE.

### coefficients of utilization — zonal cavity method

	20			20			20		
	RF	RC		RF	RC		RF	RC	
room cavity ratio	70	50	30	50	30	10	50	30	10
1	73	71	69	67	66	65	65	64	63
2	69	65	62	62	59	57	60	58	56
3	64	59	56	57	54	51	55	53	50
4	60	54	50	52	49	46	51	48	45
5	56	50	45	48	44	41	47	43	41
6	53	46	41	44	40	37	43	40	37
7	49	42	37	41	37	34	40	36	34
8	46	39	34	38	34	31	37	33	31
9	43	36	31	35	31	28	34	31	28
10	41	33	29	32	29	26	32	28	26

### visual comfort probability

room size	ceiling height	ceiling height				ceiling height			
		8.5	10.0	13.0	16.0	8.5	10.0	13.0	16.0
20	20	92	95	93	82	99	98	97	92
20	30	93	95	93	83	99	98	97	94
20	40	93	95	93	83	99	98	98	94
20	60	95	96	93	83	99	98	98	94
30	20	93	95	94	85	99	98	97	93
30	30	93	95	93	86	99	98	98	94
30	40	93	95	93	86	99	98	98	94
30	60	96	96	94	86	99	98	98	94
30	80	96	97	94	86	99	98	98	94
40	20	93	95	94	86	99	98	98	93
40	30	93	95	93	86	99	98	98	94
40	40	93	95	94	86	99	98	98	94
40	60	96	96	94	86	99	98	98	94
40	80	97	97	94	86	99	98	98	94
40	100	97	97	94	86	99	98	98	94
60	30	93	95	94	86	99	98	98	94
60	40	93	95	94	86	99	98	98	94
60	60	95	96	94	86	99	98	98	94
60	80	97	97	94	87	99	98	98	94
60	100	96	97	95	87	99	98	98	94
100	40	93	95	94	86	99	98	98	94
100	60	97	96	94	87	99	98	98	94
100	80	97	97	93	87	98	98	98	94
100	100	96	97	93	87	98	98	98	95

## Ordering Information

Explanation of Catalog Number. Example: LCS8G12PR132120S0GLR

	<b>LC</b>	<b>S</b>	<b>8</b>		<b>12</b>		<b>R</b>	<b>1</b>	<b>32</b>			
<b>Blank</b> = Standard <b>N</b> = NYC Code	<b>LC:</b> Lytecel 8" Continuous	<b>Body Style:</b> S=Static	<b>Fixture Width</b>	<b>Ceiling Type:</b> G = 15/16" Grid N = 9/16" Grid T = Slot Grid	<b>Number of Cells:</b> 1 row of 12 cells	<b>Louver Finish:</b> P=Low Irrescence S=Specular L=Low Irrescence S=semi-specular	<b>Reflector:</b> R= Semi-Specular 95% Reflective	<b>Lamp Quantity</b>	<b>Lamp Fixture Length:</b> 32=T8 (Nominal 48")	<b>Voltage:</b> 120 or 277	<b>Ballast type:</b> <20THD SO* HI*	<b>Options:</b> Add appropriate suffix to catalog no, ie: (GLR)

\*Instant Start Standard  
Other dimming options, consult factory.  
DA=DALI digital addressable dimming.

## Options/Accessories

**Access Plate:** Top Wiring access plate is shipped with fixture as standard. When access plates are required in advance for wiring convenience, specify separately. Order Catalog Number: **ACP5 CSP**.

**Electrical/Wiring Options:** Consult factory.

**Fusing:** Internal fast-blow fusing. Suffix: **GLR**.  
Internal slow-blow fusing. Suffix: **GMF**.

**Chicago Plenum:** Suffix: **CP**.

## Specifications

**Performance:** In an installation of 1 lamp 32W luminaires in a room cavity ratio of 1, reflectance 80% ceiling, 50% wall, 20% floor, the C.U. shall not be less than .71 with a spacing to mounting ratio of 1.5 perpendicular to the lamps. To meet IES RP-1 for VDT areas the VCP (visual comfort probability) shall not be less than 95 either crosswise or lengthwise and the candela value between 55° and 90° in the 0° to 90° planes shall not exceed 844. Candelas at Nadir (0°) not to exceed 908.

**Materials:** Chassis parts are die-formed cold rolled steel. Housing is with all edges turned-in for safe handling.

**Louver:** Pre-anodized aluminum (Coilzak® or equal).

## Specifications (continued)

**Finish: Louver**—specular low iridescence pre-anodized reflector sheet.  
**Reflector:** Semi-Specular reflector sheet, 95% reflective. **Chassis exterior**—black baked polyester enamel.  
**Electrical:** Thermally protected class "P" ballast C.B.M. approved, non PCB. If K.O. is within 3" of ballast, use wire suitable for at least 90°.  
**Labels:** I.B.E.W./UL and ULc Listed.

**Job Information**
**Type:**

**Lightolier** a Genlyte Thomas Company www.lightolier.com  
 Technical Information: (978) 657-7600 • Fax (978) 658-0595  
 631 Airport Road, Fall River, MA 02720 • (508) 679-8131 • Fax (508) 674-4710  
 We reserve the right to change details of design, materials and finish.  
 Copyright 2004 Lightolier **Section2/Folio G07-19**

