

Lytecel Recessed Fluorescent **LCS6G20LW132**

Page 1 of 2

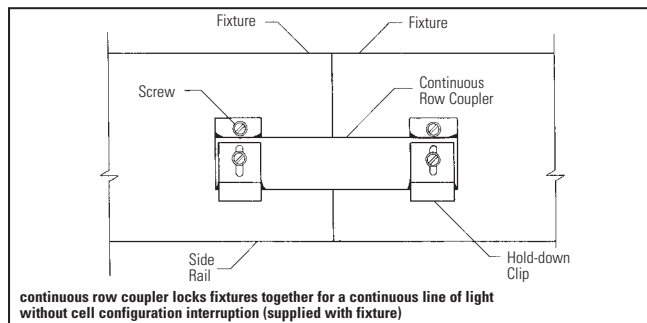
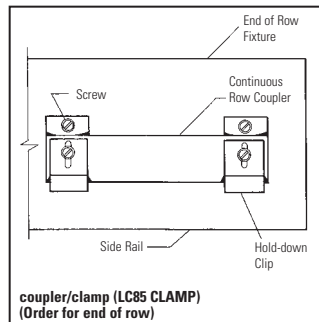
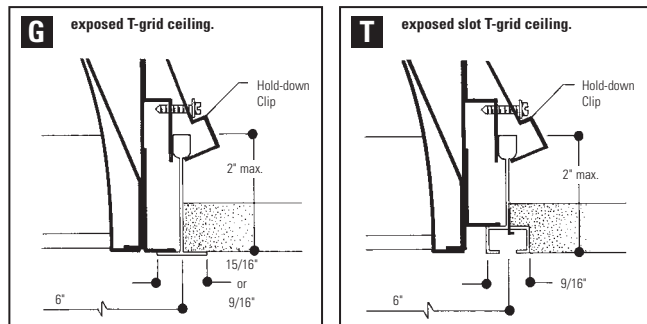
For Continuous Row Mounting, 6" wide x 48", 20 Cell (1 Row) Parabolic Louver, Air Return/Static, 1 Lamp T8, IES RP1 For VDT Areas

Features

- 48" long louver gives an uninterrupted louver appearance when row mounted. Ideal for continuous row applications.
- 54.1% efficient (1 lamp) semi-specular louver.
- 57.6% efficient (1 lamp) specular louver.
- 1.7 spacing mounting ratio (1 lamp).
- Semi-specular or specular, low iridescence, pre-anodized aluminum louver.
- Vertical grain on cross blades eliminates reflected lamp image.
- Spring loaded latches (self centering).
- Louver has protective dust guard.
- Only 5-1/2" deep body.
- Black housing exterior for cooler ballast operating temperature.
- UL-Listed twin knockout access plate.
- Meets NYC Code requirements.
- Construction to meet Chicago Plenum Code is available.
- Optional DALI ballast accepts digital dimming commands from computers, scene controllers and automatic control devices.



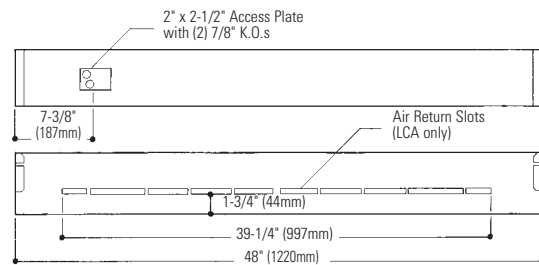
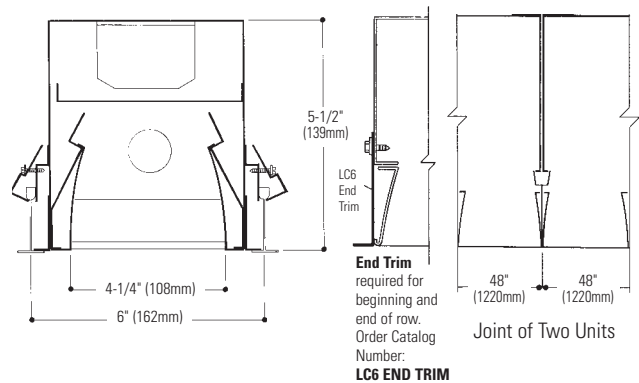
Mounting Methods



NOTE:

If product is to be mounted individually, use LI series, Folio G07-32.

Dimensions



Job Information

Type:

Job Name:

Cat. No.:

Lamp(s):

Volts/Ballast:

Lightolier a Genlyte company

www.lightolier.com

Technical Information: (978) 657-7600 • Fax (978) 658-0595

631 Airport Road, Fall River, MA 02720 • (508) 679-8131 • Fax (508) 674-4710

We reserve the right to change details of design, materials and finish.

© 2007 a Genlyte company

Section 2/Folio G07-40



Lytecel Recessed Fluorescent LCS6G20LW132

For Continuous Row Mounting, 6" wide x 48", 20 Cell (1 Row) Parabolic Louver, Air Return/Static, 1 Lamp T8, IES RP1 For VDT Areas

Model No. LCS6G20LW132120SO

LER = FP - 43.4 IW - 39.00 BF - 1.10
 Comparative yearly lighting energy cost per 1000 lumens = \$5.53
 Report Number: G1206002
 Catalog Number: LCS6G20LW132120SO
 Lamp: F32 T8
 Luminaire: 6" wide Troffer with semi-specular louver and white reflector.
 Ballast: Advance REL-2P32-SC
 Report is based on 2850 Lumens per lamp.
 Efficiency: 54.1%
 CIE Type-Direct-Indirect
 Plane: 0-Deg 90-Deg
 Spacing Criteria: 1.2 1.7
 Shielding Angles: 90 90
 Plane: 0-Deg 90-Deg
 Luminous Length: 47.943 5.816

CANDELA DISTRIBUTION

| | 0.0 | 45.0 | 90.0 | FLUX |
|----|-----|------|------|------|
| 0 | 633 | 633 | 633 | |
| 5 | 630 | 628 | 635 | 60 |
| 15 | 590 | 619 | 660 | 175 |
| 25 | 539 | 599 | 694 | 285 |
| 35 | 473 | 621 | 760 | 388 |
| 45 | 373 | 554 | 581 | 389 |
| 55 | 231 | 260 | 203 | 212 |
| 65 | 12 | 32 | 21 | 28 |
| 75 | 2 | 3 | 5 | 4 |
| 85 | 1 | 1 | 2 | 1 |
| 90 | 0 | 1 | 1 | |

COEFFICIENTS OF UTILIZATION – ZONAL CAVITY METHOD. EFFECTIVE FLOOR CAVITY REFLECTANCE 0.20

| RC | 80 | 50 | 30 | 10 | 50 | 30 | 10 |
|----|----|----|----|----|----|----|----|
| 1 | 60 | 58 | 57 | 55 | 54 | 53 | 53 |
| 2 | 56 | 53 | 50 | 50 | 48 | 46 | 48 |
| 3 | 52 | 47 | 44 | 45 | 42 | 40 | 44 |
| 4 | 48 | 43 | 39 | 41 | 37 | 35 | 39 |
| 5 | 44 | 38 | 34 | 37 | 33 | 31 | 36 |
| 6 | 41 | 35 | 30 | 33 | 30 | 27 | 33 |
| 7 | 38 | 32 | 27 | 30 | 27 | 24 | 30 |
| 8 | 36 | 29 | 25 | 28 | 24 | 22 | 27 |
| 9 | 33 | 27 | 22 | 26 | 22 | 19 | 25 |
| 10 | 31 | 24 | 20 | 24 | 20 | 18 | 23 |

TYPICAL V.C.P.'s

| Room Size | Mounting Height | | | | | |
|-----------|-----------------|--------------|-------------|--------------|-------------|--------------|
| | Lengthwise | | Crosswise | | Luminaires | |
| | 0 Deg Plane | 90 Deg Plane | 0 Deg Plane | 90 Deg Plane | 0 Deg Plane | 90 Deg Plane |
| | 8.5 | 10 | 8.5 | 10 | 8.5 | 10 |
| 30x30 | 91 | 88 | 87 | 82 | 92 | 88 |
| 40x40 | 92 | 88 | 87 | 85 | 94 | 88 |
| 60x30 | 92 | 88 | 87 | 84 | 93 | 88 |
| 60x60 | 92 | 88 | 87 | 85 | 94 | 88 |
| 100x100 | 91 | 89 | 88 | 85 | 95 | 92 |

Model No. LCS6G20PW132120SO

LER = FP - 45.8 IW - 39.0 BF - 1.10
 Comparative yearly lighting energy cost per 1000 lumens = \$5.24
 Report Number: G1206003
 Catalog Number: LCS6G20PW132120SO
 Lamps: F32 T8
 Luminaire: 6" wide Troffer with specular louver and white reflector.
 Ballast: Advance REL-2P32-SC
 Report is based on 2850 Lumens per lamp.
 Efficiency: 57.6%
 CIE Type-Direct-Indirect
 Plane: 0-Deg 90-Deg
 Spacing Criteria: 1.2 1.7
 Shielding Angles: 90 90
 Plane: 0-Deg 90-Deg
 Luminous Length: 47.943 5.816

CANDELA DISTRIBUTION

| | 0.0 | 45.0 | 90.0 | FLUX |
|----|-----|------|------|------|
| 0 | 662 | 662 | 662 | |
| 5 | 641 | 643 | 664 | 61 |
| 15 | 630 | 644 | 652 | 181 |
| 25 | 556 | 620 | 712 | 292 |
| 35 | 487 | 678 | 821 | 416 |
| 45 | 398 | 623 | 647 | 430 |
| 55 | 269 | 293 | 208 | 236 |
| 65 | 1 | 29 | 17 | 21 |
| 75 | 0 | 2 | 5 | 3 |
| 85 | 0 | 1 | 2 | 1 |
| 90 | 1 | 1 | 1 | |

COEFFICIENTS OF UTILIZATION – ZONAL CAVITY METHOD. EFFECTIVE FLOOR CAVITY REFLECTANCE 0.20

| RC | 80 | 50 | 30 | 10 | 50 | 30 | 10 |
|----|----|----|----|----|----|----|----|
| 1 | 64 | 62 | 60 | 59 | 57 | 56 | 55 |
| 2 | 60 | 56 | 53 | 53 | 51 | 49 | 49 |
| 3 | 55 | 50 | 46 | 48 | 45 | 42 | 46 |
| 4 | 51 | 45 | 41 | 43 | 40 | 37 | 42 |
| 5 | 47 | 41 | 36 | 39 | 35 | 32 | 38 |
| 6 | 44 | 37 | 32 | 35 | 31 | 29 | 34 |
| 7 | 41 | 33 | 29 | 33 | 28 | 25 | 31 |
| 8 | 38 | 31 | 26 | 29 | 26 | 23 | 29 |
| 9 | 35 | 28 | 24 | 27 | 23 | 20 | 26 |
| 10 | 33 | 26 | 21 | 25 | 21 | 19 | 24 |

TYPICAL V.C.P.'s

| Room Size | Mounting Height | | | | | |
|-----------|-----------------|--------------|-------------|--------------|-------------|--------------|
| | Lengthwise | | Crosswise | | Luminaires | |
| | 0 Deg Plane | 90 Deg Plane | 0 Deg Plane | 90 Deg Plane | 0 Deg Plane | 90 Deg Plane |
| | 8.5 | 10 | 8.5 | 10 | 8.5 | 10 |
| 30x30 | 90 | 82 | 82 | 81 | 93 | 88 |
| 40x40 | 91 | 82 | 82 | 83 | 94 | 88 |
| 60x30 | 91 | 82 | 82 | 83 | 93 | 88 |
| 60x60 | 91 | 82 | 83 | 83 | 94 | 90 |
| 100x100 | 91 | 82 | 83 | 83 | 95 | 91 |

LUMINANCE DATA IN CANDELA/SQ. METER

| AVERAGE IN DEG. | AVERAGE 0-DEG. | AVERAGE 45-DEG. | AVERAGE 90-DEG. |
|-----------------|----------------|-----------------|-----------------|
| 45 | 2929. | 4350. | 4564. |
| 55 | 2242. | 2521. | 1969. |
| 65 | 162. | 419. | 270. |
| 75 | 39. | 65. | 104. |
| 85 | 33. | 59. | 103. |

ZONAL LUMEN SUMMARY

| ZONE | LUMENS | % LAMP | % FIXT |
|--------|--------|--------|--------|
| 0-30 | 520 | 18.3 | 33.7 |
| 0-40 | 909 | 31.9 | 58.9 |
| 0-60 | 1510 | 53.0 | 97.9 |
| 0-90 | 1542 | 54.1 | 100.0 |
| 90-180 | 0 | 0.0 | 0.0 |
| 0-180 | 1542 | 54.1 | 100.0 |

LUMINANCE DATA IN CANDELA/SQ. METER

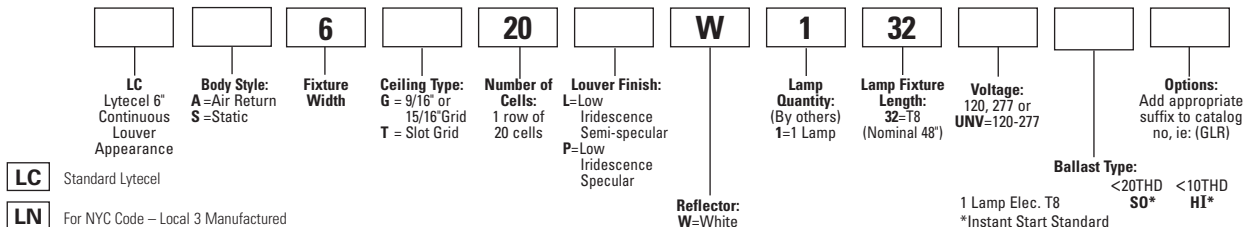
| AVERAGE IN DEG. | AVERAGE 0-DEG. | AVERAGE 45-DEG. | AVERAGE 90-DEG. |
|-----------------|----------------|-----------------|-----------------|
| 45 | 3130. | 4896. | 5087. |
| 55 | 2605. | 2838. | 2018. |
| 65 | 8. | 379. | 217. |
| 75 | 10. | 53. | 98. |
| 85 | 23. | 67. | 113. |

ZONAL LUMEN SUMMARY

| ZONE | LUMENS | % LAMP | % FIXT |
|--------|--------|--------|--------|
| 0-30 | 535 | 18.8 | 32.6 |
| 0-40 | 950 | 33.3 | 57.9 |
| 0-60 | 1617 | 56.7 | 98.5 |
| 0-90 | 1641 | 57.6 | 100.0 |
| 90-180 | 0 | 0.0 | 0.0 |
| 0-180 | 1641 | 57.6 | 100.0 |

Ordering Information

Explanation of Catalog Number. Example: LCS6G20LW132120SO



Options/Accessories

- Access Plate:** Top Wiring access plate is shipped with fixture as standard. When access plates are required in advance for wiring convenience, specify separately. Order Catalog Number: **ACP5 CSP**.
- Coupler/Clamp:** (Set of 2) Required for beginning of rows. Order Catalog Number: **LC85 CLAMP** (for G or T type)
- End Trim:** Required at beginning and end of rows. For every row order (2). Order Catalog Number: **LC6 END TRIM**.
- Electrical/Wiring Options:** Consult factory.
- EM Pack or Dimming Ballast:** Consult factory.
- Fusing:** Internal fast-blow fusing. Suffix: **GLR**. Internal slow-blow fusing. Suffix: **GMF**.
- Chicago Plenum:** Suffix: **CP**.

Specifications

Performance: In an installation of 1 lamp 32W semi-specular luminaires in a room cavity ratio of 1, reflectance 80% ceiling, 50% wall, 20% floor, the C.U. shall not be less than .58 with a spacing to mounting ratio of 1.7 perpendicular to the lamps. To meet IES RP-1 for VDT areas the VCP (visual comfort probability) shall not be less than 91 either crosswise or lengthwise and the candela value between 55° and 90° in the 0° to 90° planes shall not exceed 2521. Candelas at Nadir (0°) not to exceed 633.

Specifications (continued)

- Air Handling**—(LCA only) Side air passages for air return.
 - Materials:** Chassis parts are die-formed cold rolled steel.
 - Louver:** Pre-anodized aluminum (Coilzak® or equal).
 - Finish:** Louver—specular or semi-specular low iridescence pre-anodized reflector sheet. Reflector: White baked polyester enamel. Chassis exterior—black baked polyester enamel.
 - Electrical:** Thermally protected class "P" ballast C.B.M. approved, non PCB. If K.O. is within 3" of ballast, use wire suitable for at least 90°.
 - Labels:** I.B.E.W./UL and ULc Listed.
- This product may have a mercury containing lamp. Manage in accord with Disposal Laws. See: www.lamprecycle.org

Job Information Type:

Lightolier a Genlyte company www.lightolier.com
 Technical Information: (978) 657-7600 • Fax (978) 658-0595
 631 Airport Road, Fall River, MA 02720 • (508) 679-8131 • Fax (508) 674-4710
 We reserve the right to change details of design, materials and finish.
 © 2007 a Genlyte company Section 2/Folio G07-40

