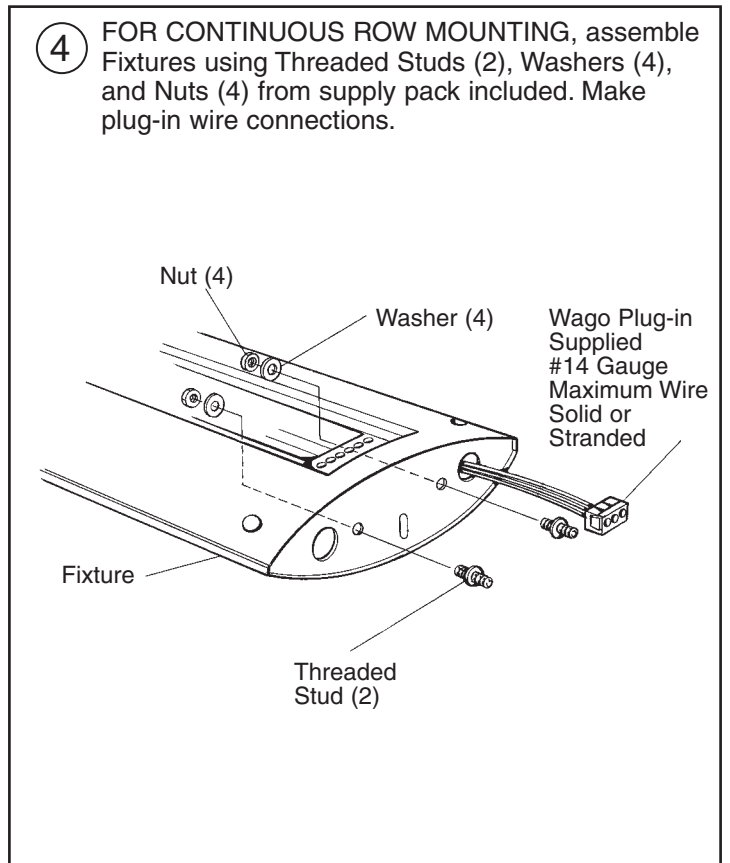
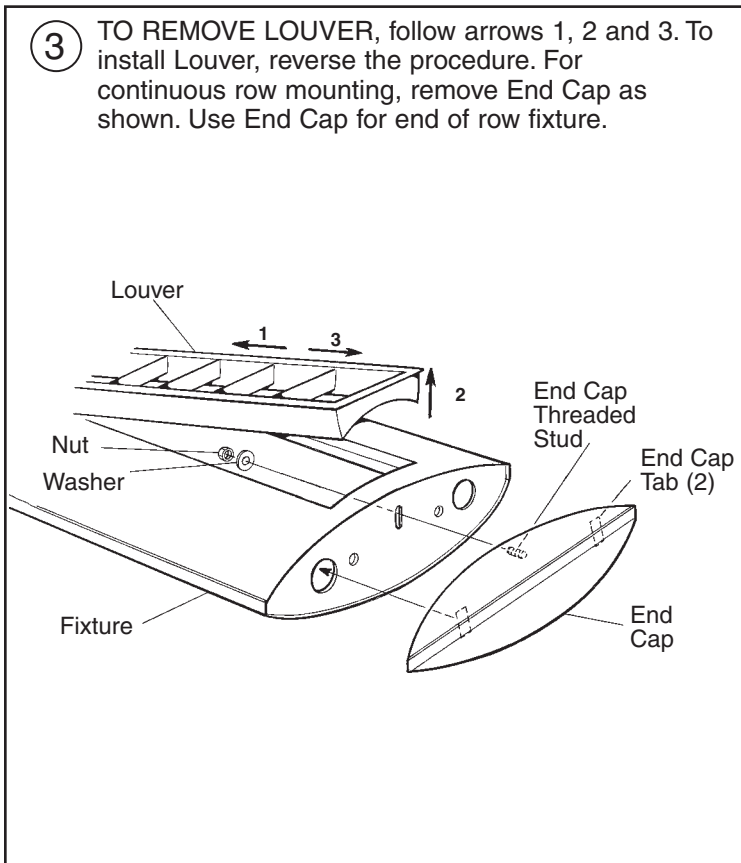
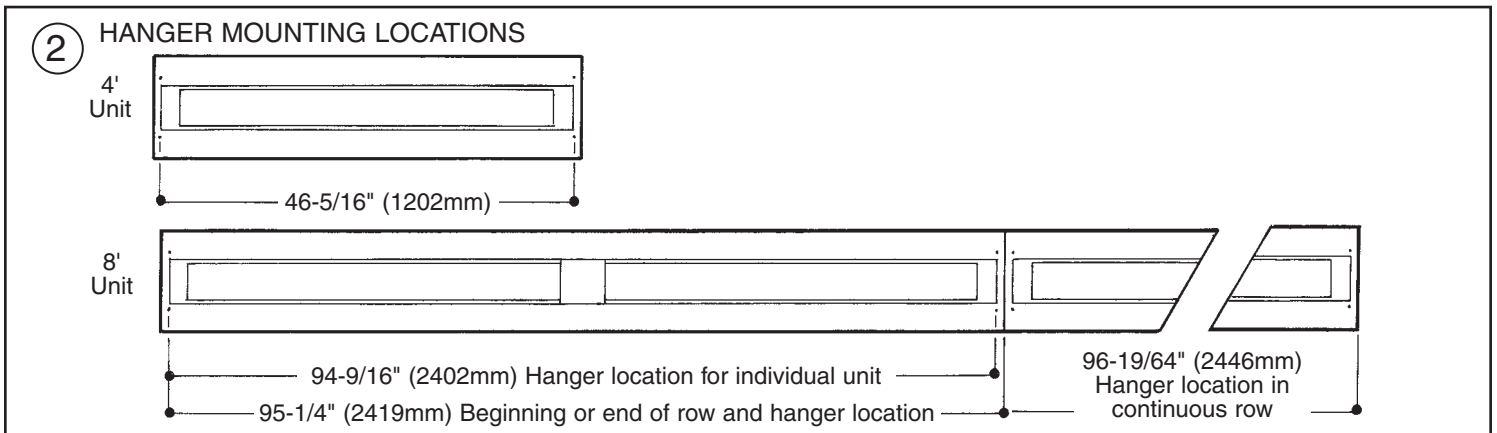
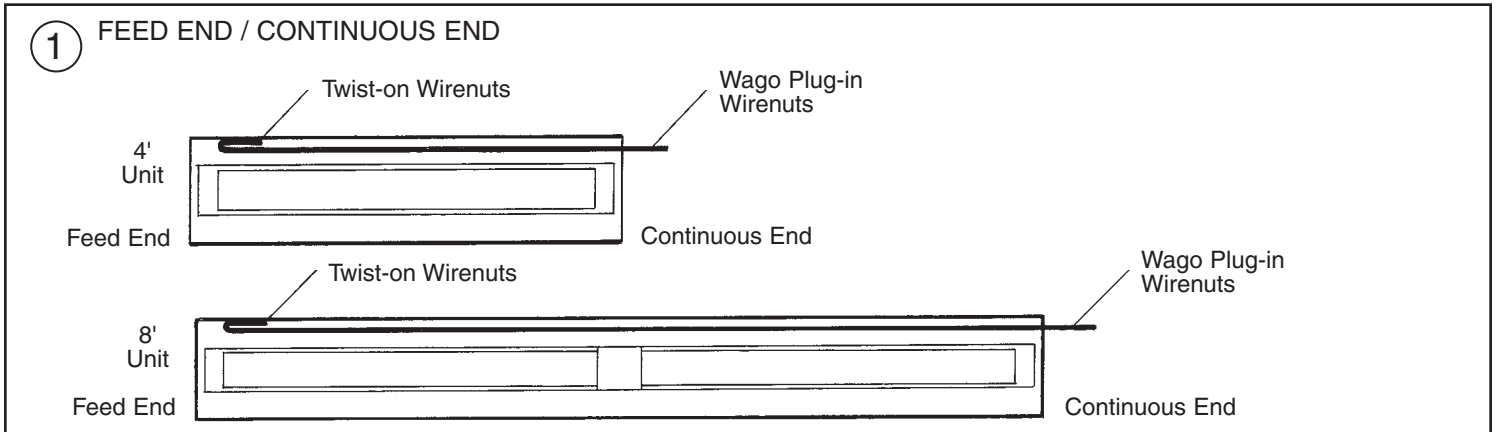


Lightolier

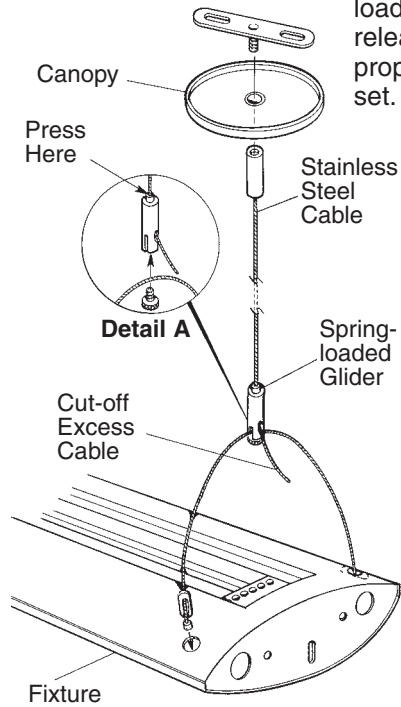
45 INDUSTRIAL WAY, WILMINGTON, MA 01887

INSTALLATION INSTRUCTIONS FOR THE LYTECEL - EL LUMINAIRE

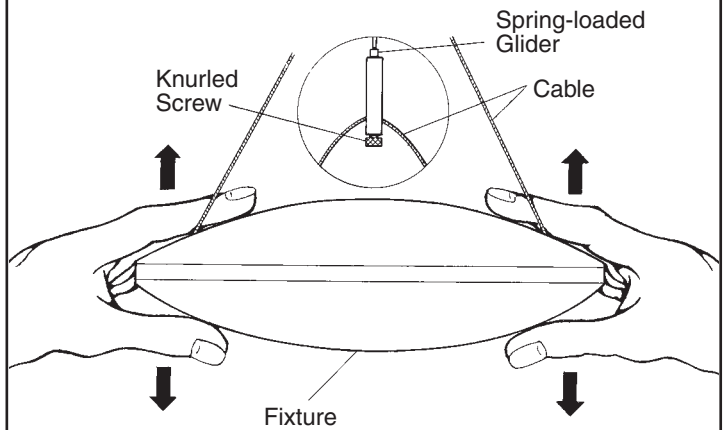
NOTE: Fixture should be installed by a qualified electrician



5 ASSEMBLE HANGER SET FOR BEGINNING OR CONTINUOUS ROW as shown. To acquire the suspension length, press down on the Spring-loaded Glider and release when proper length is set. See Detail "A".

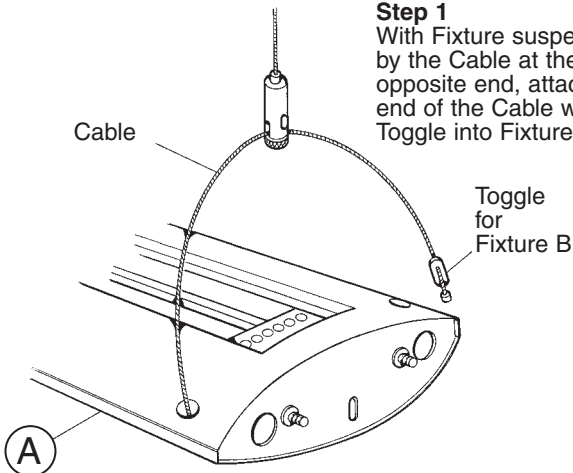


6 TO LEVEL FIXTURE, loosen Knurled Screw, adjust to required position, tighten Knurled Screw to secure.

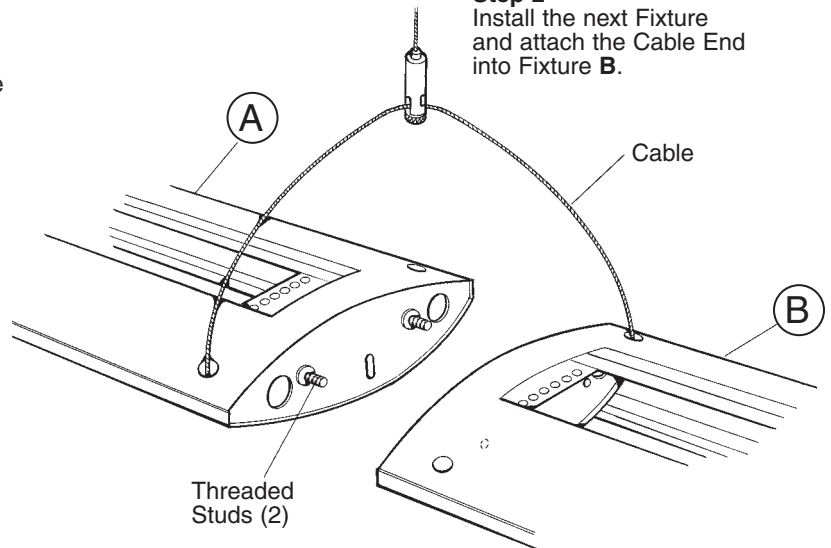


7 HANGER ASSEMBLY FOR CONTINUOUS ROW

Step 1
With Fixture suspended by the Cable at the opposite end, attach one end of the Cable with Toggle into Fixture A.



Step 2
Install the next Fixture and attach the Cable End into Fixture B.



Step 3
Attach both the washers and nuts to the two Threaded Studs.

