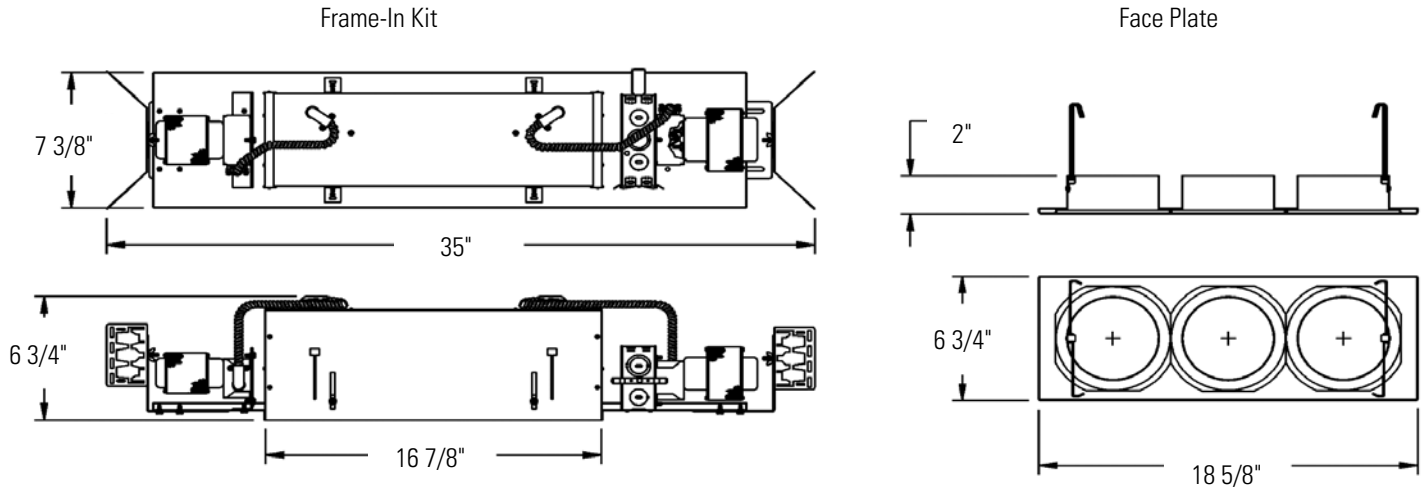




Lytecaster Recessed Downlighting **603MR**

Page 1 of 1 Recessed Linear Low Voltage 3 x MR16 Ceiling Opening: 5 3/8" (137mm) x 16 7/8" (428mm)



Complete fixture consists of Reflector Trim (3 needed), Frame-in Kit and Face Plate. Select each separately

Reflector Trim		Frame-In Kit	Face Plate	Lamp
404X series	Alzak Cones	603MR120	603WH	3 x 75W MR16
405X series	Painted Baffles	603MR277		3 x 75W MR16
406X series	Eyeball			3 x 75W MR16
409X series	Pinhole			3 x 65W MR16
413X series	Gimbal			3 x 75W MR16
478X series	Elbow			3 x 75W MR16

Features

- Housing / Plate:** Die-formed 20 ga. steel ; Black painted finish. Accommodates all ceilings up to 2" (51mm) thick. Adjustable from inside. Concealed wiring channel.
- Face Plate:** Die-formed 20 ga. steel ; White painted finish. Inner Mounting ring welded of dimmers can further amplify the sound levels.to plate to accept 400 series trims. 1/4" (7mm) lip all around.
- Mounting Brackets:** 16 ga. steel. Use 18" (457mm) mounting bars(optional) or with standard 3/4" (19mm), 1-1/2" (38mm) lathing channels (by others)or 1/2" (13mm) tubing (by others). Adjust horizontally and vertically.
- Junction Box:** 14 ga. steel, 5" (127mm) x 3-1/2" (89mm) x 1 1/2" (38mm)deep box, allows inspection from below. CSAUS certified for through branch circuit wiring with maximum of 8 (#12ga.), 90° C conductors.
- Transformer:** Magnetic 150VA (Class "B") and 75VA (Class "H"), 120/277/347volt primary, nominal 12 volt secondary.
- Thermal Protector:** Meets CSA/UL requirements. Insulation, if used, must be kept 3" away from luminaire sides and junction box. Do not cover top of luminaire.
- Socket:** Porcelain body ; Two-pin (GX5.3 base) Pre-wired with 18 ga. Teflon250[®] leads to junction box.

Markings

CSA,US ; Certified for damp locations.

Accessories

- 1950** - 18" Mounting Bar
- 1951** - 31" Mounting Bar
- FA10251-WH** - Replacement Spacer Ring

Note

Magnetic transformers may produce audible sound which may be objectionable in acoustically critical areas. The use of dimmers can further amplify the sound levels.

US Patent Numbers: 5,045,985

Other US & Foreign Patents Pending

Job Information	Type:
Job Name:	
Cat. No.:	
Lamp(s):	
Notes:	

Lightolier a Genlyte company www.lightolier.com
 631 Airport Road, Fall River, MA 02720 • (508) 679-8131 • Fax (508) 674-4710
 We reserve the right to change details of design, materials and finish.
 © 2006 Genlyte Group LLC • B0406

LIGHTOLIER[®]