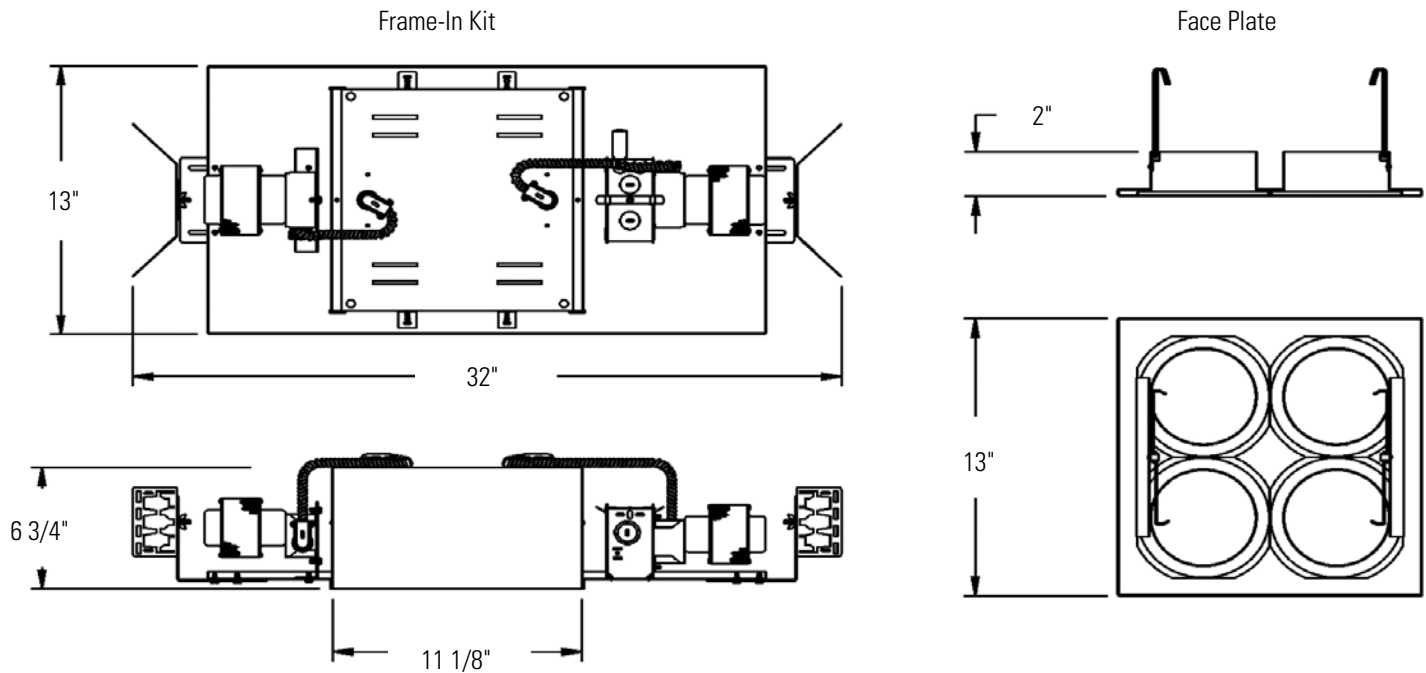




Lytecaster Recessed Downlighting **604SQMR**



Complete fixture consists of Reflector Trim (4 needed), Frame-in Kit and Face Plate. Select each separately

Reflector Trim		Frame-In Kit	Face Plate	Lamp
404X series	Alzak Cones	604SQMR120	604SQWH	4 x 75W MR16
405X series	Painted Baffles	602SQMR277		4 x 75W MR16
406X series	Eyeball			4 x 75W MR16
409X series	Pinhole			4 x 65W MR16
413X series	Gimbal			4 x 75W MR16
478X series	Elbow			4 x 75W MR16

Features

- Housing / Plate:** Die-formed 20 ga. Steel, galvanised. Accommodates all ceilings up to 2" (51mm) thick. Adjustable from inside Concealed wiring channel.
- Face Plate:** Die-formed 20 ga. steel; White painted finish. Inner Mounting ring welded to plate to accept 400 series trims. 1/4" (7mm) lip all around.
- Torsionite Springs:** For easy installation of faceplate. Insures that face plate edges are snug to ceiling.
- Mounting Brackets:** 6 ga. steel. Use 18" (457mm) mounting bars (optional) or with standard 3/4" (19mm), 1-1/2" (38mm) lathing channels (by others) or 1/2" (13mm) tubing (by others). Adjust horizontally and vertically.
- Junction Box:** 2" deep (51mm) x 4" (102mm) x 3 1/2" (89mm) 16 ga. galvanized steel. CSA, US certified an UL listed for maximum of 8 (#12ga.) Integral cable clamp permit attachment of non-metallic (#12 or #14 ga.) cable without tools or additional connector.
- Transformer:** Magnetic 150VA, 120/277/347 volt primary, nominal 12 volt secondary, class "B".
- Thermal Protector:** Meets CSA/UL requirements. Insulation, if used, must be kept 3" away from luminaire sides and junction box. Do not cover top of luminaire.
- Socket:** Porcelain body; Two-pin (GX5.3 base) Pre-wired with 18 ga. Teflon 250° leads to junction box.
- Lamp cover:** Porcelain body; Two-pin (GX5.3 base) Pre-wired with 18 ga. Teflon 250° leads to junction box.

Markings

CSA, US; Certified for damp locations.

Accessories

- 1950 - 18" Mounting Bar**
- 1951 - 31" Mounting Bar**
- FA10251-WH - Replacement Spacer Ring**

Note

Magnetic transformers may produce audible sound which may be objectionable in acoustically critical areas. The use of dimmers can further amplify the sound levels

US Patent Numbers: 5,045,985
Other US & Foreign Patents Pending

Job Information	Type:
Job Name:	
Cat. No.:	
Lamp(s):	
Notes:	

Lightolier a Genlyte company www.lightolier.com
 631 Airport Road, Fall River, MA 02720 • (508) 679-8131 • Fax (508) 674-4710
 We reserve the right to change details of design, materials and finish.
 © 2006 Genlyte Group LLC • B0406