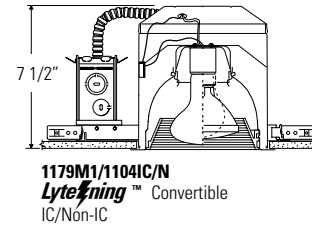
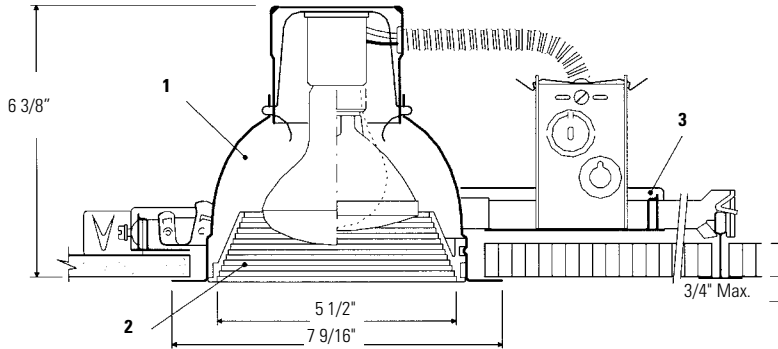
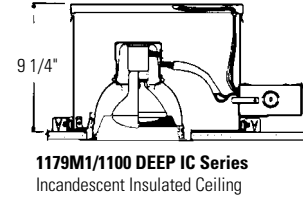
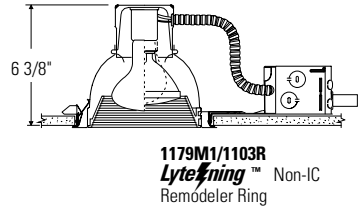




Lytecaster® Recessed Downlighting **1179M1**



Reflector Trim	Frame-In Kit — See Individual Frame-In Kit Specification Sheets							
	Incandescent				Fluorescent			
	Frame-In Kit	Installation Type	Lamping	Height	Frame-In Kit	Installation Type	Lamping	Height
1179M1 Matte Black Baffle 1179WH Perma White Baffle	1102P1	Non-IC	75W A19, PAR30*	6 3/8"	1104F13 Series	IC	(1) Quad/Triple 13W (GX24q-1)	7 1/2"
	1103R	Non-IC Remodeler	85W BR30	6 3/8"	1104F18† Series	IC	(1) Quad/Triple 18W (GX24q-2)	7 1/2"
	1100IC	IC	75W PAR30	7 5/16"	1100FTU Series	Non-IC	(1) Triple 26/32W (GX24q-3)	6 7/8"
	1100AICM	AirSeal® IC	85W BR30	7 5/16"	1100AICMFT	AirSeal®-IC	(1) Triple 26/32W (GX24q-3)	6 7/8"
	1104ICX/N	AirSeal® IC		7 1/4"	1910XDH1	Conversion Kit	(2) Quad 13W (GX23-2)	6 7/8"
	1104IC/N**	AirSeal® IC	90W PAR38**	7 1/2"	1910XFH1	Conversion Kit	(1) Quad 13W (GX23-2)	6 7/8"
	1104ICR**	IC Remodeler	75W PAR30	7 1/2"				
	1104IC/N**	Non-IC	75W PAR30*	7 1/2"				
	1104ICR**	Non-IC Remodeler	85W BR30 90W PAR38	7 1/2"				
	1100DAICM	Deep AirSeal® IC	75W PAR30*	9 1/4"				
	1100DICM	Deep IC	85W BR30	9 1/4"				

* Use socket extender 1968 for short neck PAR30 lamp.
** PAR38 use only with Frame-In Kits indicated

† Lightolier recommends the use of triple tube lamps.

Features

- Reflector:** Hydroformed aluminum, .040" thick (18 ga.); non-yellowing, scuff-resistant Perma White finish with 88% reflectance; white trim flange.
- Step Baffle:** Molded high temperature phenolic. Stepped conical surface for low brightness; matte black or gloss white finish.
- Frame-In Kit:** (1102P1 standard frame shown). Other frames listed above and shown on the right. See Frame-In Kit specification sheets for more details.

Accessories

Par30 Socket Extender: 1968 - for short neck Par30 lamp

Labels

UL (Suitable for Damp Locations), I.B.E.W.

US Patent Numbers: 4,751,624; 5,045,985
Other US & Foreign Patents Pending.

Job Information	Type:
Job Name:	
Cat. No.:	
Lamp(s):	
Notes:	

Lightolier a Genlyte company www.lightolier.com
631 Airport Road, Fall River, MA 02720 • (508) 679-8131 • Fax (508) 674-4710
We reserve the right to change details of design, materials and finish.
© 2007 Genlyte Group LLC • F0107

LIGHTOLIER®



SPACING RATIO = 0.9

CERTIFIED TEST REPORT NO. 0286FX
COMPUTED BY LSI PROGRAM **TEST LITE**
RECESSED LYTECASTER DOWNLIGHT,
5 1/2" APERTURE, BASIC BLACK BAFFLE
ONE 85W BR30 FLOOD LAMP, LUMEN RATING = 925 LMS

CANDLEPOWER SUMMARY

ANGLE	MEAN CP	LUMENS
0	658	
5	644	61
10	607	
15	550	155
20	483	
25	416	193
30	357	
35	309	195
40	263	
45	197	148
50	107	
55	46	49
60	21	
65	12	13
70	7	
75	4	4
80	2	
85	1	1
90	1	

ZONAL LUMENS AND PERCENTAGES

ZONE	LUMENS	% LAMPS	% LUMINAIRE
0-30	409	44.28	49.56
0-40	604	65.31	73.68
0-60	801	86.65	97.76
0-90	819	88.63	100.00
40-90	215	23.33	26.32
60-90	18	1.98	2.24
90-180	0	.00	.00
0-180	819	88.63	100.00

DATE: DATE APRIL 10, 1997
 PREPARED FOR:
 LIGHTOLIER, FALL RIVER, MA

**** EFFICIENCY = 88.6% ****

TESTED ACCORDING TO IES PROCEDURES. TEST DISTANCE EXCEEDS FIVE TIMES THE GREATEST LUMINOUS OPENING OF LUMINAIRE.

SPACING RATIO = 1.2

CERTIFIED TEST REPORT NO. 2191
COMPUTED BY LSI PROGRAM **TEST-LITE**
RECESSED LYTECASTER DOWNLIGHT
5 1/2" APERTURE, MATTE BLACK STEP BAFFLE WITH GLOSS WHITE REFLECTOR
ONE 75W PAR30 FLOOD LAMP, LUMEN RATING = 1275 LMS.
ONE SOCKET EXTENDER USED

CANDLEPOWER SUMMARY

ANGLE	MEAN CP	LUMENS
0	2423	
5	2198	210
10	1964	
15	1747	469
20	1165	
25	494	279
30	258	
35	163	112
40	127	
45	106	79
50	69	
55	30	31
60	8	
65	1	3
70	0	
75	0	0
80	0	
85	0	0
90	0	

ZONAL LUMENS AND PERCENTAGES

ZONE	LUMENS	% LAMP	% LUMINAIRE
0-30	957	75.13	81.01
0-40	1069	83.89	90.46
0-60	1179	92.52	99.76
0-90	1182	92.74	100.00
40-90	112	8.85	9.54
60-90	2	.22	.24
90-180	0	.00	.00
0-180	1182	92.74	100.00

DATE: NOVEMBER 12, 1990
 PREPARED FOR:
 LIGHTOLIER, SECAUCUS N.J.

**** EFFICIENCY = 92.7% ****

TESTED ACCORDING TO IES PROCEDURES. TEST DISTANCE EXCEEDS FIVE TIMES THE GREATEST LUMINOUS OPENING OF LUMINAIRE.

COEFFICIENTS OF UTILIZATION

% EFFECTIVE CEILING CAVITY REFLECTANCE

ROOM CAVITY RATIO	% WALL REFLECTANCE															
	80			70			50			30			10			
	50	30	10	50	30	10	50	30	10	50	30	10	50	30	10	
1	.98	.98	.94	.96	.94	.92	.92	.91	.89	.89	.88	.87	.86	.85	.84	.82
2	.91	.87	.84	.89	.86	.83	.86	.84	.81	.84	.82	.80	.81	.80	.78	.76
3	.84	.79	.76	.83	.79	.75	.81	.77	.74	.78	.76	.73	.76	.74	.72	.70
4	.78	.73	.69	.77	.73	.69	.75	.71	.68	.73	.70	.67	.72	.69	.66	.65
5	.73	.67	.63	.72	.66	.63	.70	.66	.62	.68	.65	.62	.67	.64	.61	.60
6	.67	.62	.58	.67	.61	.57	.65	.61	.57	.64	.60	.57	.63	.59	.56	.55
7	.62	.56	.53	.62	.56	.52	.60	.55	.52	.59	.55	.52	.58	.54	.51	.50
8	.58	.52	.48	.57	.52	.48	.56	.51	.48	.55	.51	.47	.54	.50	.47	.46
9	.53	.48	.44	.53	.47	.44	.52	.47	.43	.51	.46	.43	.50	.46	.43	.42
10	.49	.44	.40	.49	.44	.40	.48	.43	.40	.47	.43	.39	.47	.42	.39	.38

20% FLOOR CAVITY REFLECTANCE

Conversion Factor: 85W BR30 FL, White, C.U. x 1.1. 2 Lt. 13W Quad Tube: Black, C.U. x 0.25; White, C.U. x 0.35. 1 Lt. 13W Quad Tube: Black, C.U. x 0.3; White, C.U. x 0.4. 75W A19: Black, C.U. x 0.35; White, C.U. x 0.50.

COEFFICIENTS OF UTILIZATION

% EFFECTIVE CEILING CAVITY REFLECTANCE

ROOM CAVITY RATIO	% WALL REFLECTANCE															
	80			70			50			30			10			0
	50	30	10	50	30	10	50	30	10	50	30	10	50	30	10	0
1	1.05	1.03	1.01	1.01	.99	.99	.98	.97	.95	.95	.94	.92	.92	.92	.91	.89
2	.99	.97	.94	.98	.95	.93	.95	.93	.91	.92	.91	.89	.90	.89	.87	.86
3	.95	.91	.89	.94	.91	.88	.92	.89	.87	.89	.87	.85	.87	.86	.84	.83
4	.91	.87	.84	.90	.87	.84	.88	.85	.83	.86	.84	.82	.85	.83	.81	.80
5	.87	.83	.80	.86	.82	.80	.85	.81	.79	.83	.80	.78	.82	.80	.78	.77
6	.84	.79	.77	.83	.79	.76	.82	.78	.76	.81	.78	.75	.79	.77	.75	.74
7	.80	.76	.73	.80	.76	.73	.78	.75	.73	.77	.74	.72	.77	.74	.72	.71
8	.77	.73	.70	.76	.73	.70	.76	.72	.70	.75	.72	.69	.74	.71	.69	.68
9	.74	.70	.67	.74	.70	.67	.73	.69	.67	.72	.69	.66	.71	.68	.66	.65
10	.71	.67	.64	.71	.67	.64	.70	.67	.64	.70	.66	.64	.69	.66	.64	.63

20% FLOOR CAVITY REFLECTANCE

Conversion Factor: 75W PAR30 FL, White, C.U. x 1.05.

To convert lighting data for a lower wattage incandescent lamp of the same type, multiply the footcandle (or candlepower) values by the ratio of the lumens of the two lamps. The coefficients of utilization remain the same.

Job Information

Type:

Lightolier a Genlyte company

www.lightolier.com

631 Airport Road, Fall River, MA 02720 • (508) 679-8131 • Fax (508) 674-4710

We reserve the right to change details of design, materials and finish.

© 2007 Genlyte Group LLC • F0107