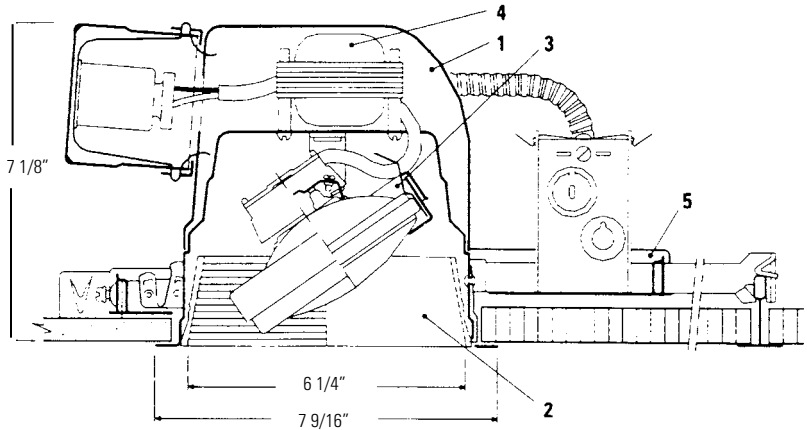




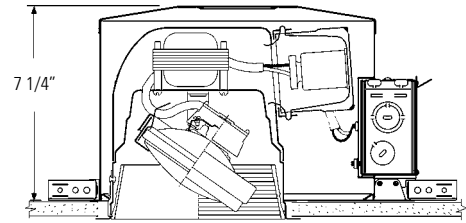
# Lytecaster® Recessed Downlighting **1155**

Page 1 of 2

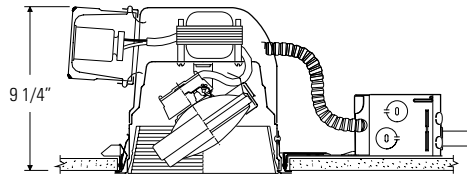
6 3/4" Aperture Low Voltage Adjustable - PAR36 Reflector Trim 35°



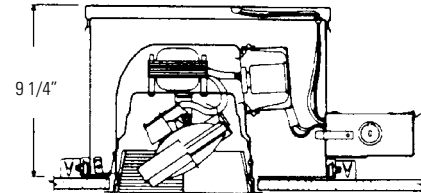
**1155/1102P1 Series**  
Standard



**1155/1104ICX/N**  
**LyteSeal™ AirSeal®**  
Insulated Ceiling



**1155/1103R**  
**LyteSeal™ Non-IC**  
Remodeler Ring



**1155/1100DEEP IC Series**  
Insulated Ceiling

Complete Fixture consists of Reflector Trim & Frame-In Kit. Select each separately.

Reflector Trim	Frame-In Kit — See Individual Frame-In Kit Specification Sheets			
	Incandescent			
	Frame-In Kit	Ceiling Type	Lamping	Height
<b>1155</b> Matte Black Step Baffle	<b>1102P1</b>	Non-IC	25-50W PAR36, 12V	7 1/8"
<b>1155WH</b> Matte White Step Baffle	<b>1103R</b>	Non-IC Remodeler	25W PAR36, 5.5V	7 1/8"
<b>1163</b> Specular Gold Alzak® Cone	<b>1100IC</b>	IC	25-50W PAR36, 12V	7 5/16"
<b>1164</b> Specular Clear Alzak® Cone	<b>1100DICM</b>	Deep IC	25W PAR36, 5.5V	9 1/4"
	<b>1100DAICM</b>	Deep AirSeal® IC		9 1/4"
	<b>1104ICX/N</b>	AirSeal® IC		7 1/4"

## Features

- Housing:** Hydroformed aluminum, .040" thick (18 ga.); matte white trim flange.
- Baffle or Cone:** Matte black or white step baffle of die cast aluminum with stepped conical surface for low brightness. Or hydroformed aluminum cone, .040" minimum thickness with satin anodized or specular Alzak® finish in colors noted above.
- Lampholder Assembly:** Provides 358° horizontal rotation and 0° to 35° vertical adjustment. Spring lamp clips allow snap-on/snap-off lamping.
- Transformer:** Magnetic; 120V primary, 5.5V or 12V secondary operation; built-in voltage selector switch. Removable from below.
- Frame-In Kit:** See Frame-In Kit specification sheets for more details.

## Dimming Information

**Dimming Controls:** use only dimmers specifically designed for use with magnetic transformers, like Lightolier Onset®, Sunrise® series LV or VA dimmers, or any Lightolier Controls dimming system. Low voltage fixtures may produce audible sound when used with dimmers, which may be objectionable in acoustically critical areas.

## Options & Accessories

- Lytegems®:** See 1300 Series or 1400 Series Specification sheets.
- Extra Wide Flange Trim Ring:** **1954** - 8 5/8" O.D.
- Retaining Clips:** **1955** - For Installation in Existing Ceiling

## Labels

UL (Suitable for Damp Locations), I.B.E.W.

**US Patent Numbers: 4,313,154; 4,327,403; 5,045,985**  
Other US & Foreign Patents Pending.

Job Information	Type:
<b>Job Name:</b>	
<b>Cat. No.:</b>	
<b>Lamp(s):</b>	
<b>Notes:</b>	

Lightolier a Genlyte company [www.lightolier.com](http://www.lightolier.com)  
631 Airport Road, Fall River, MA 02720 • (508) 679-8131 • Fax (508) 674-4710  
We reserve the right to change details of design, materials and finish.  
© 2006 Genlyte Group LLC • B1006

**LIGHTOLIER®**

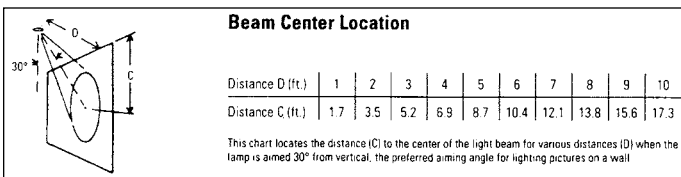


## Lighting Performance Data

		Narrow																										
		25W PAR36 (5.5V)	25W PAR36 VN5P	25W PAR36 NSP	35W PAR36 SP	36W PAR36 VN5P (T-H)	36W PAR36 NSP (T-H)	50W PAR36 VN5P																				
DISTANCE D (ft.)	1																											
	2																											
FOOTCANDLES (On Beam Center At 6')		833	458	117	50	556	142	561																				
BEAM SPREAD (To 50% Max CP)		1.5°	2.5° x 5°	8° x 10°	14° x 20°	5°	10°	4° x 7°																				
MAX. CANDLEPOWER (Candelas)		30,000	16,500	4,200	1,800	20,000	5,100	20,200																				
RATED LIFE (Hours)		1,000	2,000	2,000	2,000	2,500	2,500	2,000																				
COLOR TEMPERATURE		2,600°K	2,550°K	2,550°K	2,550°K	3,000°K	3,000°K	2,550°K																				
0° AIMING ANGLE Illumination on Horizontal Plane		D	FC	L	W	D	FC	L	W	D	FC	L	W	D	FC	L	W	D	FC	L	W							
	10'	300	0.3'	0.3'	8'	257	0.3'	0.7'	6'	117	0.8'	1.0'	4'	113	1.0'	1.4'	10'	200	0.9'	0.9'	6'	142	1.0'	1.0'	10'	202	0.7'	1.2'
	15'	133	0.4'	0.4'	12'	114	0.5'	1.0'	8'	66	1.1'	1.4'	6'	50	1.5'	2.1'	15'	89	1.3'	1.3'	8'	80	1.4'	1.4'	15'	90	1.0'	1.9'
	20'	75	0.5'	0.5'	16'	65	0.7'	1.4'	10'	42	1.4'	1.7'	8'	28	2.0'	2.8'	20'	50	1.7'	1.7'	10'	51	1.7'	1.7'	20'	50	1.4'	2.4'
	25'	48	0.7'	0.7'	20'	42	0.9'	1.7'	12'	29	1.7'	2.1'	10'	18	2.5'	3.5'	25'	32	2.2'	2.2'	12'	35	2.1'	2.1'	25'	32	1.7'	3.1'
30° AIMING ANGLE Illumination on Horizontal Plane		D	FC	L	W	D	FC	L	W	D	FC	L	W	D	FC	L	W	D	FC	L	W							
	8'	304	0.3'	0.2'	6'	298	0.3'	0.6'	5'	109	0.9'	1.0'	3'	130	1.0'	1.2'	8'	203	0.9'	0.8'	5'	133	1.2'	1.0'	8'	205	0.7'	1.1'
	12'	135	0.4'	0.4'	10'	107	0.6'	1.0'	7'	56	1.3'	1.4'	5'	47	1.6'	2.0'	12'	90	1.4'	1.2'	7'	68	1.6'	1.4'	12'	91	1.1'	1.7'
	16'	76	0.6'	0.5'	14'	55	0.8'	1.4'	9'	34	1.7'	1.8'	7'	24	2.3'	2.9'	16'	51	1.9'	1.6'	9'	41	2.1'	1.8'	16'	51	1.5'	2.3'
	20'	49	0.7'	0.6'	18'	33	1.0'	1.8'	11'	23	2.1'	2.2'	9'	14	3.0'	3.7'	20'	32	2.3'	2.0'	11'	27	2.6'	2.2'	20'	33	1.9'	2.8'
30° AIMING ANGLE Illumination on Vertical Plane		D	FC	L	W	D	FC	L	W	D	FC	L	W	D	FC	L	W	D	FC	L	W							
	4'	234	0.4'	0.2'	3'	229	0.5'	0.5'	2'	131	1.1'	0.7'	1'	225	1.0'	0.7'	4'	156	1.4'	0.7'	2'	159	1.4'	0.7'	4'	158	1.1'	1.0'
	6'	104	0.6'	0.3'	4'	129	0.7'	0.7'	3'	58	1.7'	1.0'	2'	56	2.1'	1.4'	6'	69	2.1'	1.0'	3'	71	2.1'	1.0'	6'	70	1.7'	1.5'
	8'	59	0.8'	0.4'	5'	83	0.9'	0.9'	4'	33	2.3'	1.4'	3'	25	3.1'	2.1'	8'	39	2.8'	1.4'	4'	40	2.9'	1.4'	8'	39	2.2'	2.0'
	10'	38	1.0'	0.5'	6'	57	1.0'	1.0'	5'	21	2.8'	1.7'	4'	14	4.1'	2.8'	10'	25	3.5'	1.7'	5'	26	3.6'	1.7'	10'	25	2.8'	2.4'

		Narrow	Medium	Wide																				
		50W PAR36 NSP	25W PAR36 WFL	36W PAR36 WFL (T-H)	50W PAR36 WFL	25W PAR36 VWFL	50W PAR36 VWFL																	
DISTANCE D (ft.)	1																							
	2																							
FOOTCANDLES (On Beam Center At 6')		247	14	33	36	7	17																	
BEAM SPREAD (To 50% Max CP)		9° x 11°	26° x 27°	30°	28° x 36°	33° x 40°	37° x 40°																	
MAX. CANDLEPOWER (Candelas)		8,900	500	1,175	1,300	250	600																	
RATED LIFE (Hours)		2,000	2,000	2,500	2,000	2,000	2,000																	
COLOR TEMPERATURE		2,550°K	2,550°K	3,000°K	2,550°K	2,550°K	2,550°K																	
0° AIMING ANGLE Illumination on Horizontal Plane		D	FC	L	W	D	FC	L	W	D	FC	L	W	D	FC	L	W							
	7'	182	1.1'	1.3'	2'	125	0.9'	1.0'	3'	131	1.6'	1.6'	3'	144	1.5'	1.9'	2'	63	1.2'	1.5'	3'	67	2.0'	2.2'
	10'	89	1.6'	1.9'	4'	31	1.8'	1.9'	5'	47	2.7'	2.7'	5'	52	2.5'	3.2'	3'	28	1.8'	2.2'	4'	38	2.7'	2.9'
	13'	53	2.0'	2.5'	6'	14	2.8'	2.9'	7'	24	3.8'	3.8'	7'	27	3.5'	4.5'	4'	16	2.4'	2.9'	5'	24	3.3'	3.6'
	16'	35	2.5'	3.1'	8'	8	3.7'	3.9'	9'	15	4.9'	4.9'	9'	16	4.5'	5.8'	5'	10	3.0'	3.6'	6'	16	4.0'	4.3'
30° AIMING ANGLE Illumination on Horizontal Plane		D	FC	L	W	D	FC	L	W	D	FC	L	W	D	FC	L	W							
	6'	161	1.3'	1.3'	2'	81	1.3'	1.1'	3'	85	2.2'	1.9'	3'	94	2.0'	2.3'	2'	41	1.6'	1.7'	3'	43	2.8'	2.5'
	9'	71	1.9'	2.0'	4'	20	2.6'	2.2'	5'	31	3.7'	3.1'	5'	34	3.4'	3.8'	3'	18	2.4'	2.5'	4'	24	3.7'	3.4'
	12'	40	2.5'	2.7'	6'	9	3.9'	3.3'	7'	16	5.1'	4.3'	7'	17	4.8'	5.3'	4'	10	3.3'	3.4'	5'	16	4.6'	4.2'
	15'	26	3.2'	3.3'	8'	5	5.2'	4.4'	9'	9	6.6'	5.5'	9'	10	6.2'	6.8'	5'	6	4.1'	4.3'	6'	11	5.5'	5.0'
30° AIMING ANGLE Illumination on Vertical Plane		D	FC	L	W	D	FC	L	W	D	FC	L	W	D	FC	L	W							
	2'	278	1.3'	0.8'	1'	63	2.3'	1.0'	1'	147	2.7'	1.1'	1'	163	2.5'	1.4'	1'	31	3.2'	1.5'	1'	75	4.0'	1.5'
	3'	124	1.9'	1.2'	2'	16	4.6'	1.9'	2'	37	5.5'	2.1'	2'	41	4.9'	2.8'	2'	8	6.4'	2.9'	2'	19	8.1'	2.9'
	4'	70	2.6'	1.5'	3'	7	7.0'	2.9'	3'	16	8.2'	3.2'	3'	18	7.4'	4.2'	3'	3	9.6'	4.4'	3'	8	12.1'	4.4'
	5'	45	3.2'	1.9'	4'	4	9.3'	3.9'	4'	9	10.9'	4.3'	4'	10	9.9'	5.6'	4'	2	12.8'	5.9'	4'	4	16.1'	5.9'

Data are based on bare lamp photometrics.  
Dashed lines in beam spreads indicate narrow axes of oval shaped beams.  
FC is initial footcandles at center of beam. L and W are to the point that the candlepower drops 50% of maximum



## Job Information Type:

Lightolier a Genlyte company www.lightolier.com  
631 Airport Road, Fall River, MA 02720 • (508) 679-8131 • Fax (508) 674-4710  
We reserve the right to change details of design, materials and finish.  
© 2006 Genlyte Group LLC • B1006