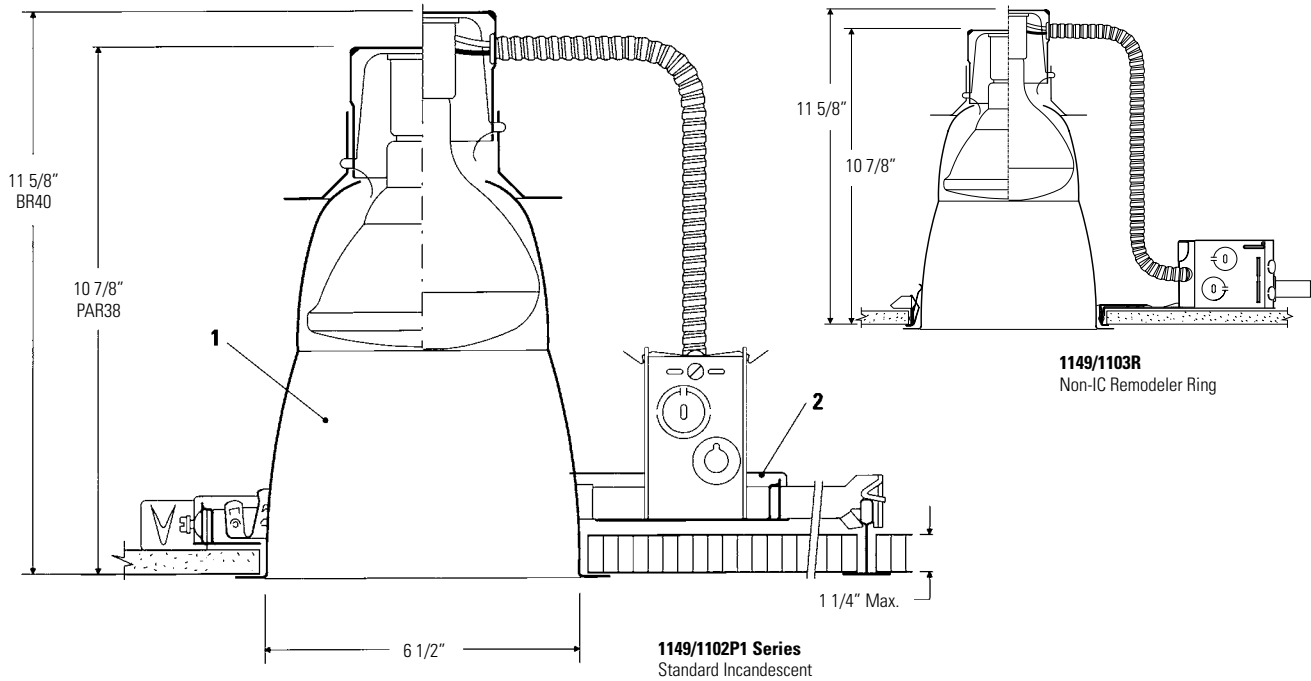




Lytecaster® Recessed Downlighting **1149**



Complete Fixture consists of Reflector Trim & Frame-In Kit. Select each separately.

Reflector Trim		Frame-In Kit — See Individual Frame-In Kit Specification Sheets			
					Incandescent
		Frame-In Kit	Installation Type	Lamping	Height
1149	Specular Black	1102P1	Non-IC	150W PAR38*	11 5/8", 10 7/8"
1150	Specular Gold			BR40	11 5/8", 10 7/8"
1151	Specular Clear			250W PAR38	
1151CD	Clear Diffuse			*Cool Beam	
		1103R	Non-IC Remodeler		

Features

- Deep Reflector:** Hydroformed aluminum, .040" thick (16 ga.); specular clear, gold or black finish; matte white trim flange. Depth provides 40° shielding angle.
- Frame-In Kit:** (1102P1 standard frame shown) Other frames listed above and shown on the right. See Frame-In Kit specification sheets for more details.

Labels

UL (Suitable for Damp Locations), I.B.E.W.

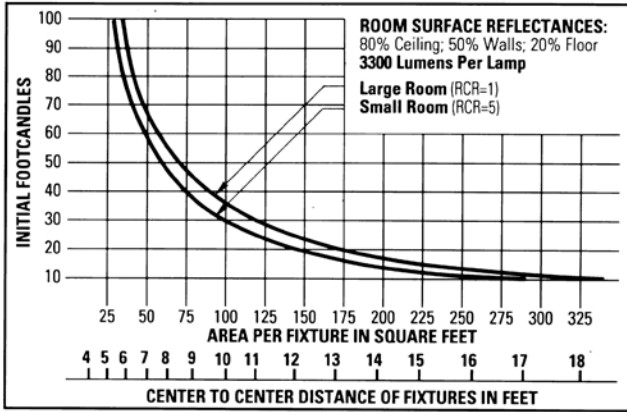
US Patent Numbers: 5,045,985

Other US & Foreign Patents Pending.

Job Information	Type:
Job Name:	
Cat. No.:	
Lamp(s):	
Notes:	

Lightolier a Genlyte company www.lightolier.com
 631 Airport Road, Fall River, MA 02720 • (508) 679-8131 • Fax (508) 674-4710
 We reserve the right to change details of design, materials and finish.
 © 2007 Genlyte Group LLC • H0407

LIGHTOLIER®



Use quick calculator chart to determine the spacing of 250 Watt PAR38 FL (T-H) units (Clear and Gold) for a desired level of illumination. Conversion Factors: 250W PAR38 FL (T-H), Black, F.C. x 0.8. 150W PAR38 FL: Clear and Gold, F.C. x 0.55; Black, F.C. x 0.40.

SPACING RATIO = 0.5

CERTIFIED TEST REPORT NO. 29124
INDEPENDANT TESTING LABORATORIES, INC

RECESSED LYTECASTER DOWNLIGHT
6 3/4" DIA. APERTURE, SPECULAR REFLECTOR, OPEN BOTTOM
ONE 250W PAR38/FL LAMP. LUMEN RATING = 3180 LMS.
LOWER SOCKET POSITION

CANDLEPOWER SUMMARY

ANGLE	MEAN CP	LUMENS
0	9254	
5	8101	21290-DEG
10	6443	530
15	4772	664
20	2781	622
25	1215	389
30	497	197
35	209	98
40	153	59
45	117	4960-DEG
50	84	36
55	51	35
60	0	7
65	0	0
70	0	0
75	0	0
80	0	0
85	0	030-DEG
90	0-DEG	0

**** EFFICIENCY = 91.1% ****

LUMINANCE DATA IN FOOTLAMBERTS

ANGLE	AVERAGE
0	126161
45	2256
55	1212
65	0
75	0
85	0

DATE: JULY 1, 1983
PREPARED FOR:
LIGHTOLIER, JERSEY CITY N.J.

TESTED ACCORDING TO IES PROCEDURES. TEST DISTANCE EXCEEDS FIVE TIMES THE GREATEST LUMINOUS OPENING OF LUMINAIRE.

COEFFICIENTS OF UTILIZATION

% EFFECTIVE CEILING CAVITY REFLECTANCE

ROOM CAVITY RATIO	% WALL REFLECTANCE															
	80			70			50			30			10			0
	50	30	10	50	30	10	50	30	10	50	30	10	50	30	10	0
1	1.03	10.2	1.00	1.01	1.00	.99	.98	.97	.96	.94	.94	.93	.91	.91	.90	.89
2	.99	.96	.94	.97	.95	.93	.95	.93	.91	.92	.91	.89	.90	.89	.88	.86
3	.95	.92	.90	.94	.92	.89	.92	.90	.88	.90	.88	.87	.88	.87	.85	.84
4	.92	.89	.86	.91	.88	.86	.89	.87	.85	.88	.86	.84	.86	.85	.83	.82
5	.89	.85	.83	.88	.85	.83	.87	.84	.82	.85	.83	.81	.84	.82	.81	.80
6	.86	.83	.80	.86	.83	.80	.85	.82	.80	.84	.81	.79	.83	.80	.79	.78
7	.84	.80	.78	.83	.80	.77	.82	.79	.77	.81	.79	.77	.80	.78	.76	.76
8	.81	.78	.75	.81	.77	.75	.80	.77	.75	.79	.77	.75	.78	.76	.74	.74
9	.79	.75	.73	.79	.75	.73	.78	.75	.73	.77	.75	.73	.77	.74	.72	.72
10	.77	.73	.71	.77	.73	.71	.76	.73	.71	.75	.73	.71	.75	.72	.71	.70

20% FLOOR CAVITY REFLECTANCE

Conversion Factors: 150 and 250W PAR38 FL (T-H): Clear and Gold, C.U. x 1.0; Black, C.U. x 0.8.

To convert lighting data for a lower wattage incandescent lamp of the same type, multiply the footcandle (or candlepower) values by the ratio of the lumens of the two lamps. The coefficients of utilization remain the same.

Job Information **Type:**

Lightolier a Genlyte company www.lightolier.com
631 Airport Road, Fall River, MA 02720 • (508) 679-8131 • Fax (508) 674-4710
We reserve the right to change details of design, materials and finish.
© 2007 Genlyte Group LLC • H0407