

1135T/1102T1 Series

Complete Fixture consists of Reflector Trim & Frame-In Kit. Select each separately.

Reflector Trim	Frame-In Kit — See Individual Frame-In Kit Specification Sheets			
	Fluorescent			
	Frame-In Kit	Installation Type	Lamping	Height
1135T Matte Black Step Baffle	1102T1	Non-IC	2 Lamp 13W Twin Tube	3 7/8"
1135TWH Matte White Step Baffle	1102TH1	Non-IC	Compact Fluorescent	3 7/8"
	1102TH2	Non-IC	(Gx23) 2 Pin Base	3 7/8"
	1102TM1	Non-IC Emergency		3 7/8"
	1102TM2	Non-IC Emergency		3 7/8"
	1102TH1R	Non-IC		3 7/8"
	1102T13U	Non-IC	2 Lamp 13W Quad Tube Compact Fluorescent (G24q-1) 4 Pin Base	3 7/8"
	1102T18U	Non-IC	2 Lamp 18W Quad Tube Compact Fluorescent (G24q-2) 4 Pin Base	3 7/8"
	1102T26U	Non-IC	2 Lamp 26W Quad Tube Compact Fluorescent (G24q-3) 4 Pin Base	3 7/8"

Features

- 1. Reflector:** Hydroformed aluminum, .040" thick (18 ga.). White gloss finish on inside and flange.
- 2. Step Baffle:** Die cast aluminum, stepped conical surface for low brightness, matte black finish.
- 3. Aperture Plate:** Semi-circular; die-formed steel; matte white; attached to step baffle; snaps out for relamping.
- 4. Scoop Reflector:** Hydroformed aluminum, .040" thick (18 ga.), Anobrite® (anodic-processed) semi-specular finish for permanent high reflectivity; provides an even wash of light over wall surface without scallops or shadows.
- 5. Frame-In Kit:** (1102T1 standard frame shown; other frames listed above.) See Frame-In Kit specification sheet for more details.

Options & Accessories

- Retaining Clips:** 1955 - For installing in existing ceiling
Extra Wide Flange Trim Ring: 1954 - 8-7/8" O.D.
Plaster Ceiling Ring: 1961 - 7/8" depth for wet plaster ceilings.

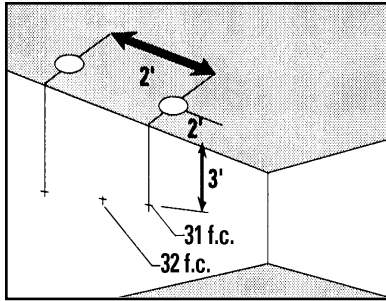
Labels

UL (Suitable for Damp Locations), I.B.E.W.

US Patent Nos. 4,313,154; 4,327,403

Job Information	Type:
Job Name:	
Cat. No.:	
Lamp(s):	
Notes:	

Lightolier a Genlyte company www.lightolier.com
 631 Airport Road, Fall River, MA 02720 • (508) 679-8131 • Fax (508) 674-4710
 We reserve the right to change details of design, materials and finish.
 © 2006 Genlyte Group LLC • E1006



LIGHTING DATA

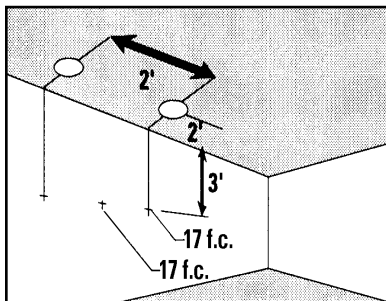
EXAMPLE: Multiple units with 2 Lt. 26W Quad Tube lamps, located 2' from wall and 2' on center, illumination on the wall 3' down from the ceiling is 31 f.c. beneath and 32 f.c. between fixtures.

FOOTCANDLES ON WALL FROM MULTIPLE UNITS

2 LT. 26W Quad Tube										
UNITS 2 FEET FROM WALL										
<div style="display: flex; justify-content: space-around;"> □ — 2' — □ □ — 3' — □ </div>										
DISTANCE FROM CEILING, FT.	1	55	53	55	41	31	41			
	2	43	45	43	30	29	30			
	3	31	32	31	31	22	21			
	4	21	22	21	15	15	15			
	5	15	15	15	10	11	10			
	6	11	11	11	8	8	8			
	7	8	8	8	6	6	6			
	8	6	6	6	5	5	5			
	9	5	5	5	4	4	4			

2 LT. 26W Quad Tube										
UNITS 3 FEET FROM WALL										
<div style="display: flex; justify-content: space-around;"> □ — 3' — □ □ — 4' — □ </div>										
DISTANCE FROM CEILING, FT.	1		28	25	28		23	19	23	
	2		23	23	23		18	17	18	
	3		19	20	19		15	15	15	
	4		16	17	16		12	13	12	
	5		12	13	12		10	10	10	
	6		10	10	10		8	8	8	
	7		8	8	8		6	6	6	
	8		6	7	6		5	5	5	
	9		5	6	5		4	4	4	

For 2 Lt. 18W Quad Tubes, multiply footcandle above by 0.7.



LIGHTING DATA

EXAMPLE: Multiple units with 2 Lt. 13W Quad Tube lamps, located 2' from wall and 2' on center, illumination on the wall 3' down from the ceiling is 17 f.c. beneath and 17 f.c. between fixtures.

FOOTCANDLES ON WALL FROM MULTIPLE UNITS

2 LT. 13W Twin Tube										
UNITS 2 FEET FROM WALL										
<div style="display: flex; justify-content: space-around;"> □ — 2' — □ □ — 3' — □ </div>										
DISTANCE FROM CEILING, FT.	1	27	27	27	19	16	19			
	2	22	22	22	16	14	16			
	3	17	17	17	11	11	11			
	4	12	12	12	8	9	8			
	5	9	9	9	6	6	6			
	6	6	6	6	5	5	5			
	7	4	4	4	3	3	3			
	8	3	3	3	3	3	3			
	9	2	2	2	2	2	2			

For 2 Lt. 13W Quad Tubes, multiply footcandle above by 0.7.

Footcandle values are averaged and rounded off and are based on a minimum of five units.

For fixture-to-wall distances, other than those shown, use maximum of 1 of 1 spacing (distance between fixtures not more than distance to wall) for best result.

Job Information	Type:
------------------------	--------------

Lightolier a Genlyte company www.lightolier.com
 631 Airport Road, Fall River, MA 02720 • (508) 679-8131 • Fax (508) 674-4710
 We reserve the right to change details of design, materials and finish.
 © 2006 Genlyte Group LLC • E1006