

## READ AND UNDERSTAND THESE INSTRUCTIONS BEFORE INSTALLING FIXTURE

This fixture is intended for installation in accordance with the National Electrical Code and local regulations. To assure full compliance with local codes and regulations, check with your local electrical inspector before installation. To prevent electrical shock, turn off electricity at fuse box before proceeding.

Retain these instructions for maintenance reference.

INSTRUCTION SHEET NO.

# IS:1105T

R0791 Page 1 of 2

## INSTRUCTIONS FOR LYTECASTER REFLECTOR TRIM INSTALLATION IN THE 1102T SERIES FRAME-IN KIT

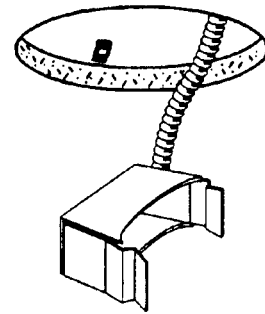
### INSTALLING REFLECTOR TRIM

1. Install frame-in kit. (See frame-in kit instruction sheet for installation procedure.)
2. Rotate (4) roto-clips clockwise so that the short legs extend inward toward the center opening. (NOTE: The short leg of the roto-clip has no return on top.)
3. Insert socket cup through side opening in the reflector housing and pull through (DO NOT SNAP CUP IN PLACE).
4. Align side opening on reflector housing directly opposite of J-box assembly (See diagram for STEP 5) and push reflector housing straight up until it is secure against the ceiling. Make sure that side opening on the reflector housing clears the roto-clips while it is being pushed in place.  
NOTE: To remove reflector housing, turn counter clockwise while pulling downward.
5. Push socket cup into side opening in reflector housing and snap in place.

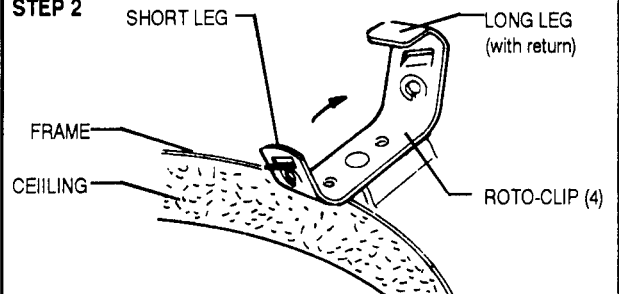
### LAMPING

1. Use (2) 13W twin tube compact fluorescent lamps.
2. To lamp fixture, insert the head of the lamp through the lamp openings in the reflector housing and then insert the base of the lamp into the socket.

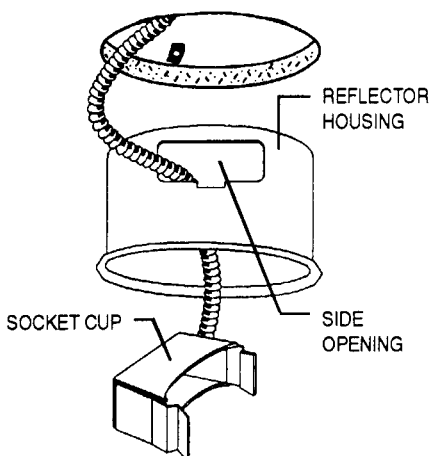
STEP 1



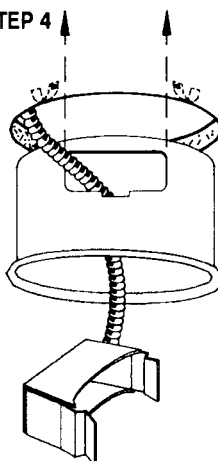
STEP 2



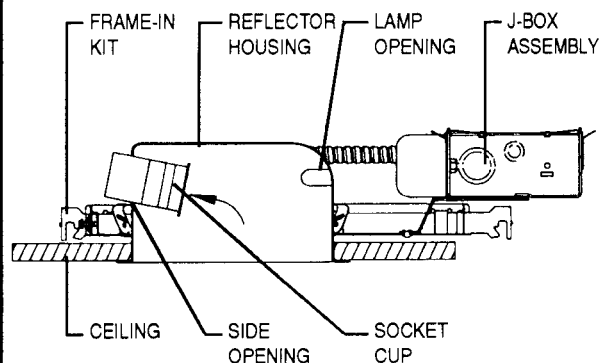
STEP 3



STEP 4



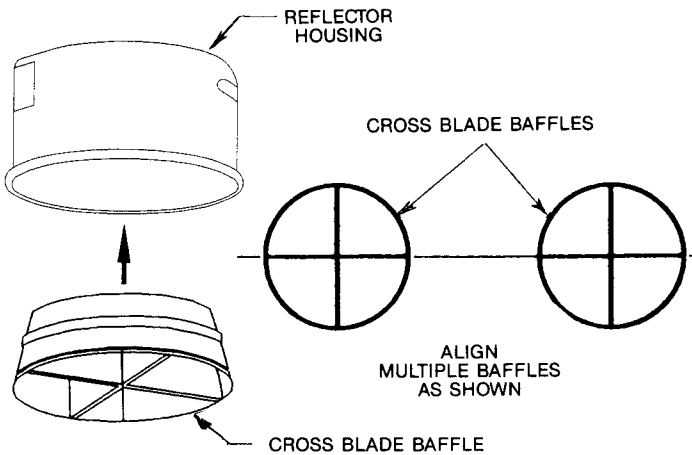
STEP 5



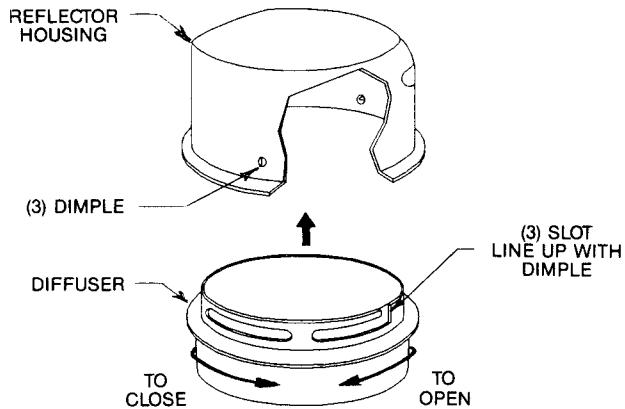
# LIGHTOLIER®

SECAUCUS, NEW JERSEY 07096  
MONTREAL, QUEBEC, CANADA

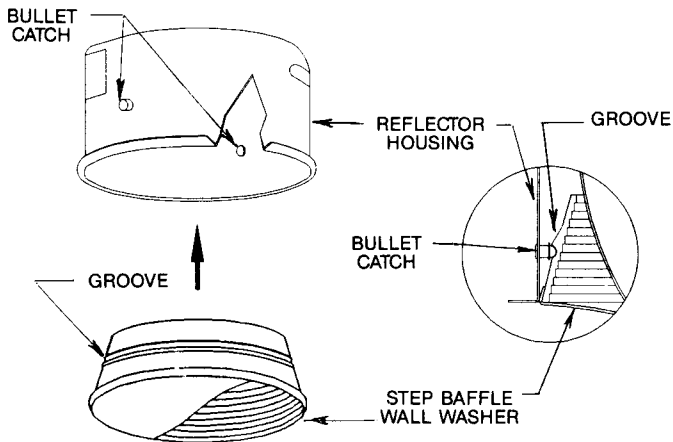
**A. CROSS BLADE BAFFLE (1132T)**



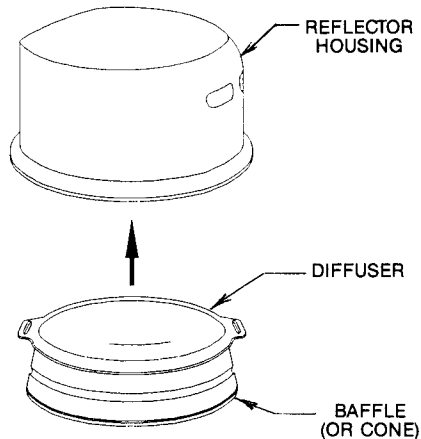
**B. DROPPED OPALEX DIFFUSER (1178T)**



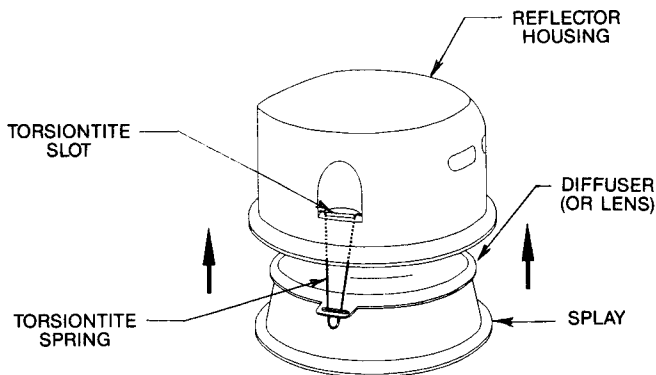
**C. STEP BAFFLE WALL WASHER (1135T)**



**D. STEP BAFFLE AND ALZAK CONES WITH DIFFUSER (1114T)**

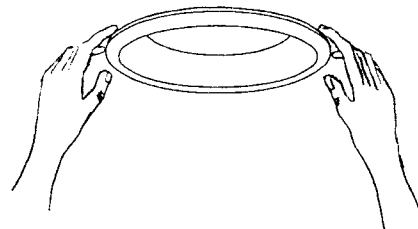


**E. LENSITE (1126T), DIFFUSER (1128T)**



**TO RELAMP:**

Simply grip flange of TRIM RING, then pull down (Fig. m).



**WARNING: USE ONLY REFLECTOR TRIMS PROVIDED BY LIGHTOLIER INC. USE OF OTHER MANUFACTURERS' REFLECTOR TRIMS VOIDS THE UNDERWRITERS LABORATORIES LISTING AND COULD CONSTITUTE A FIRE HAZARD.**