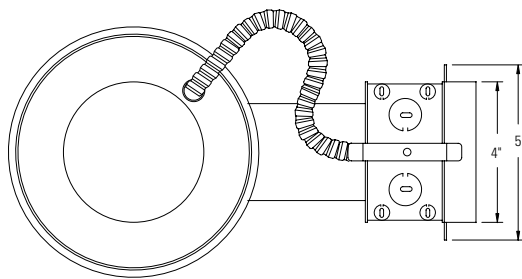
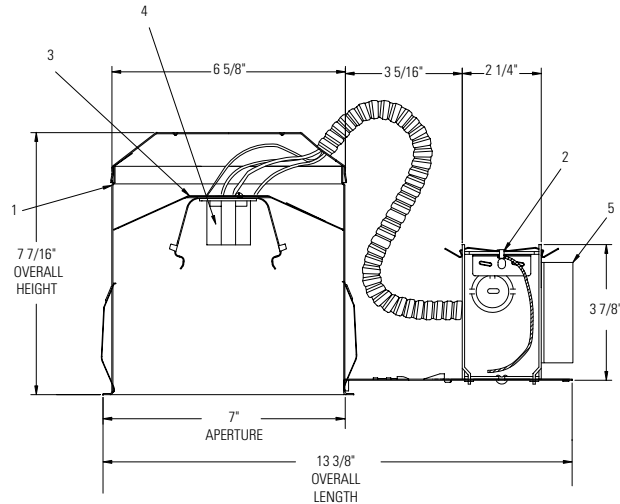


Lytecaster® Recessed Downlighting **1104F2632ESR**

Page 1 of 1 6 3/4" Aperture **Lyte[®]ning**® 1 Lt 26/32W Quad/Triple Tube Compact Fluorescent IC Remodeler



Ceiling Opening 7" diameter



Complete Fixture consists of Reflector Trim & Frame-In Kit. Select each separately.

Frame-In Kit		Reflector Trims — See Individual Reflector Trim Specification Sheets							
Voltage	Lamp	Open Downlight					Enclosed Diffusers	Wall Washer	
		Anodized Reflector	Anodized Cone	Satin Cone	Baffles	Basic White			
1104F2632ESR	120V	26/32W Quad or Triple Tube	1143*	1112	1108	1105	1171*	1121	1185**
			1144*	1112NM	1108NM	1105BNM	1170M1	1124	1186
			1144CD*	1113	1110	1105NM		1126** (26V Only)	1186WH
				1113BK	1110NM	1105WH		1134	1135**
				1113BKNM		1176		1177SH	1135WH**
				1113CD		1176WH		1178SH**	
				1113CDNM				1190** (26V Only)	
				1113NM					
				1113WH					

Features

- Housing:** .032" (#20 ga.) UL listed for direct contact with thermal insulation. Allows installation in ceilings up to 2" thick. Can be removed for access to junction box, ballast and ceiling plenum. AirSeal® housing minimizes air leakage to less than 2 CFM at 1.57 PSF (or 75pa), which complies with Model Energy Code (Section 602.3.3) and Washington State Energy Code (Section 502.4) and reduces heat loss and condensation in ceiling.
- Junction Box:** 2" X 4" X 3 1/2" (22 cu. in.) .032" (#22 ga.) galvanized steel. UL listed for branch circuit wiring supplying connected luminaires. Integral cable clamps permit attachment of non-metallic (#12 or #14 ga.) Romex® cable without tools or additional connectors.
- Socket Housing:** Trim retaining spring secures trim to any height on housing wall.
- Socket:** (4 Pin, GX24q-3) base, molded thermo-plastic. Pre-wired with #18 AWG leads to junction box.
- Ballast:** Electronic 120V, end of life protected, FCC class "B" consumer limits, class "A" sound rating. Energy Star® qualified.

Electrical

Input Watts: 27
 Amps: .23
 Ballast Factor: 1.0
 Power Factor: .98
 Max THD %: 10%
 Min Start Temp: 0°F/ -18°C

*Recommend Triple Tube Lamp for Optimal Performance
 **Use Triple Tube Lamp Only.

Options & Accessories

AirSeal® Kit: LAS56R†
 (Required for AirSeal installation.)

Labels

UL (Type IC Suitable for Damp Locations)

†Complies with Air Leakage Requirements stated in the Model Energy Code, California Title 24 and the Washington State Energy Code when used with LAS56R.

Romex® is a registered trademark of General Cable Industries Inc.

US and Foreign Patents Pending.

Job Information	Type:
Job Name:	
Cat. No.:	
Lamp(s):	
Notes:	

Lightolier a Genlyte company www.lightolier.com
 631 Airport Road, Fall River, MA 02720 • (508) 679-8131 • Fax (508) 674-4710
 We reserve the right to change details of design, materials and finish.
 © 2006 Genlyte Group LLC • D1006

LIGHTOLIER®