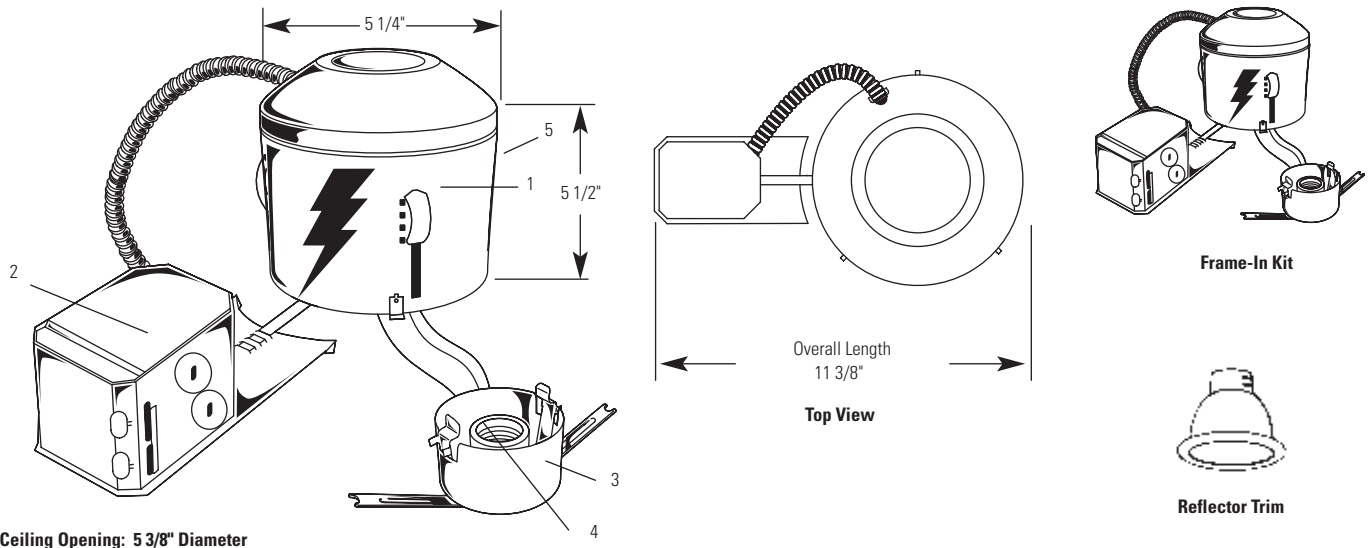


Lytecaster[®] Recessed Downlighting **1004SICR**

Page 1 of 1 5" Aperture **Lyte[®]** Shallow Incandescent Convertible IC/Non-IC Remodeler Frame-in Kit



Ceiling Opening: 5 3/8" Diameter

Complete Fixture consists of Reflector Trim & Frame-In Kit. Select each separately.

Frame-In Kit	Reflector Trims — See Individual Reflector Trim Specification Sheets					
	Open Downlight				Wall Washer	Enclosed Diffuser
	Specular Cone	Satin Cone	Baffles	Basic White		
1004SICR	1012	1008	1005	1071	1085*	1024*
	1012NM	1008NM	1005WH			
	1013	1010	1005NM			
	1013BK	1010NM	1005BNM			
	1013WH		1076			
	1013CD		1076WH			
	1013NM					
	1013BKNM					
	1013CDNM					

*For Non-IC applications only

Features

- Housing:** .032" (#20 ga.) Aluminum. UL listed convertible IC/NON-IC. Integral retaining spring secures housing to ceilings up to 2" thick. Removable for access to junction box and ceiling plenum. 5 1/2" tall for use in 2" X 6" joist construction and shallow plenum applications.
- Junction Box:** 2 1/2" X 2 1/2" X 3 1/2" (21 cu. in.) .032" (#22 ga.) galvanized steel. UL listed for 90°C supply wire. Suitable for branch circuit wiring supplying connected fixtures. Integral cable clamps permit attachment of non-metallic (#12 or #14 ga.) Romex[®] cable without tools or additional connectors.
- Socket Housing:** Impact extruded aluminum or galvanized steel. Attached trim retaining spring secures trim to any height on housing wall.
- Socket:** Porcelain medium base; nickel plated screw shell. Pre-wired with #18 ga. SF1 (300 Volt 200°C) leads to junction box.
- Thermal Protector:** Meets NEC and U.L. requirements. Located inside housing.

Options & Accessories

AirSeal[®] Kit: LAS56R (required for AirSeal Installation)

Labels

UL (Type IC/NON-IC Convertible, Suitable for Damp Locations)
Complies with Air Leakage Requirements stated in the Model Energy Code and the Washington State Energy Code.

Romex[®] is a registered trademark of General Cable Industries Inc.

Job Information	Type:
Job Name:	
Cat. No.:	
Lamp(s):	
Notes:	

Lightolier a Genlyte company www.lightolier.com
631 Airport Road, Fall River, MA 02720 • (508) 679-8131 • Fax (508) 674-4710
We reserve the right to change details of design, materials and finish.
© 2006 Genlyte Group LLC • H0906

LIGHTOLIER[®]