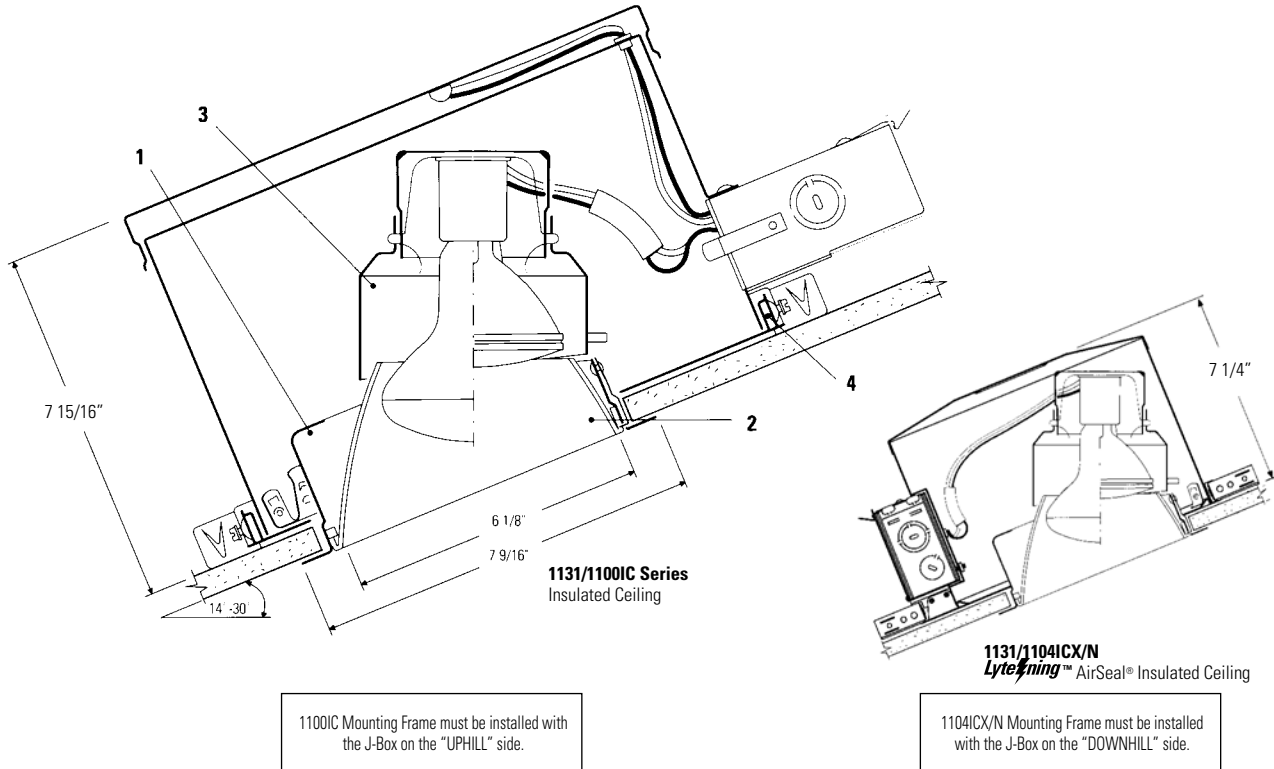


# Lytecaster® Recessed Downlighting **1131**

Page 1 of 2

6 3/4" Aperture Shallow Slope Ceiling Reflector Trim 14°–30° Angle, 3/12–7/12" Pitch



Complete Fixture consists of Reflector Trim & Frame-In Kit. Select each separately.

Reflector Trim		Frame-In Kit — See Individual Frame-In Kit Specification Sheets			
		<b>Incandescent</b>			
		Frame-In Kit	Installation Type	Lamping	Height
<b>1131</b>	Black Step Baffle	<b>1100IC</b>	IC	75W PAR30 (Short Neck)	7 5/16"
<b>1131WH</b>	White Step Baffle	<b>1100AICM</b>	AirSeal® IC	65W BR30	7 5/16"
<b>1131GD</b>	Specular Gold	<b>1104ICX/N</b>	AirSeal® IC	75W PAR30 (Short Neck)	7 1/4"
<b>1131CL</b>	Specular Clear			85W BR30	
<b>1131BK</b>	Specular Black				

## Features

- Housing:** Hydroformed aluminum, .040" thick; white trim flange.
- Aperture:** Conical aluminum step baffle, matte black or gloss white finish; or hydroformed aluminum cone, specular finish. For ceiling slopes 14° - 30° angle, 3/12 - 7/12 pitch.
- Lamp Housing:** Hydroformed aluminum, .040" thick; permits ± 7° vertical adjustment for straight downlighting.
- Frame-In Kit:** See Frame-In Kit specification sheets for more details.

## Options & Accessories

**Extra Wide Flange Trim Ring:** 1954 - 8 5/8" O.D.

## Labels

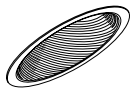
UL (Suitable for Damp Locations), I.B.E.W.

US Patent Numbers: 4,313,154; 5,045,985; 5,457,617

Job Information	Type:
<b>Job Name:</b>	
<b>Cat. No.:</b>	
<b>Lamp(s):</b>	
<b>Notes:</b>	

Lightolier a Genlyte company www.lightolier.com  
 631 Airport Road, Fall River, MA 02720 • (508) 679-8131 • Fax (508) 674-4710  
 We reserve the right to change details of design, materials and finish.  
 © 2006 Genlyte Group LLC • B1006

**LIGHTOLIER®**



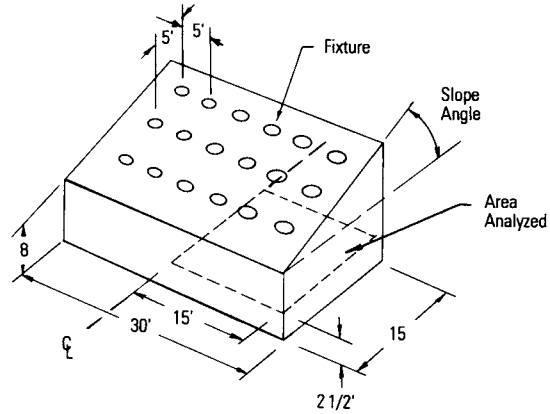
## Footcandles 2 1/2' Above the Floor

Fixture mounted on 5' x 5' centers (horizontally) in 15' x 30' room with sloped ceiling.

Room reflectances: 80% ceiling, 50% walls, 20% floor.

**A** = 75W PAR30 FL (Flood)

**B** = 75W PAR30 NFL (Narrow Flood)



		15 Ceiling Slope				
C		33	23	43	30	40
	A	61	38	45	41	34
		32	22	42	30	40
	A	61	37	44	40	33
		31	21	40	28	38
A	58	34	42	38	31	
C		32	22	43	30	44
	A	61	38	45	44	46
		32	22	43	29	44
	A	60	37	44	43	45
		31	20	41	28	43
A	58	34	42	41	42	
		30 Ceiling Slope				
C		41	31	43	38	31
	A	47	41	35	39	27
		40	31	42	38	31
	A	46	40	34	38	26
		38	29	41	37	30
A	44	37	31	35	22	
C		40	32	43	41	35
	A	47	41	35	40	33
		40	31	42	41	35
	A	46	40	34	40	32
		38	30	41	39	33
A	44	37	31	36	28	

Data calculated with GENESYS using bare lamp photometrics. Fixture spacing exceeding 5" may cause uneven lighting under lowest ceiling areas.  
 To convert lighting data for a lower wattage incandescent lamp of the **same type**, multiply the footcandle (or candlepower) values by the ratio of the lumens of the two lamps.  
 The coefficients of utilization remain the same.

**Job Information** **Type:**

Lightolier a Genlyte company [www.lightolier.com](http://www.lightolier.com)  
 631 Airport Road, Fall River, MA 02720 • (508) 679-8131 • Fax (508) 674-4710  
 We reserve the right to change details of design, materials and finish.  
 © 2006 Genlyte Group LLC • B1006