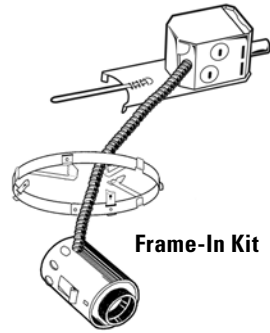
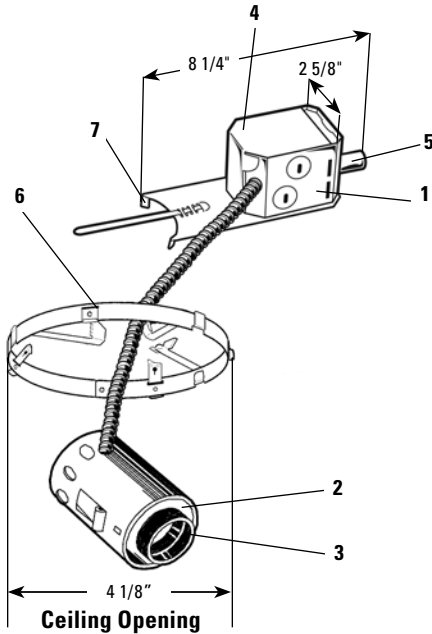


Lytecaster® Recessed Downlighting **2000LVRE1**

Page 1 of 1

3 3/4" Aperture Electronic Low Voltage MR16 Remodeler Frame-in Kit



Complete Fixture consists of Reflector Trim & Frame-In Kit. Select each separately.

Frame-In Kit	Reflector Trims — See Individual Reflector Trim Specification Sheets							
	Open Downlight				Adjustable		Enclosed	
	Specular Cone	Satin Cone	Baffles	Slot	Pinhole	Mini Swivel	Eyeball	Diffuser
2000LVRE1 120V-0.625A MAX	2012 2012NM 2013BKNM 2013CD 2013CDNM 2013NM 2013BK 2013WH 2013	2008 2008NM 2010 2010NM	2005 2005WH 2005BNM 2005NM	2006	2011	2025WH	2022LV	2026WH 2090LV

Features

- Junction Box:** 2 1/2" X 2 1/2" X 3 1/2" (21 cu. in.) .032 (#22 ga.) galvanized steel. U.L.listed for 90° C supply wire. Integral cable clamps permit attachment of non-metallic (#12 or #14 ga.) Romex® cable without tools or additional connectors. Attaches to mounting ring without tools.
- Socket Housing:** Aluminum, with lamp adjustment assembly allows vertical and horizontal adjustment, (see reflector trim specification sheet for specific adjustment).
- Socket:** Field replaceable. Two pin socket, pre-wired with #18SF1 leads to junction box.
- Transformer:** Outboard mounted, electronic, 120V. primary, nominal 12V. secondary. Removable from below.
- Thermal Protector:** Meets NEC and UL requirements. Insulation must be kept 3" away from fixture sides and wiring compartments and must not be placed above fixture in a manner which will entrap heat.
- Mounting Ring:** .048 (#18 ga.) galvanized steel. Accommodates existing ceilings up to 2" thick. Attaches securely to any type of ceiling material without tools using (3) mounting straps provided. Push-in/twist out clips hold reflector flush to ceiling. Includes adhesive backed aperture template.

Dimming

Dimming Controls: Use only dimmers specifically designed for use with electronic transformers. Consult Lightolier Controls for more information. Low voltage luminaires may produce audible sound when used with dimmers, which may be objectionable in acoustically critical areas.

Options & Accessories

MR16 Socket Replacement: **1975B**

Socket for General Electric Turn and lock (TAL) MR16 Lamp: 1975TAL
Color Filters: AF2 Series

Labels

UL (Suitable for Damp Locations), I.B.E.W.

Romex® is a registered trademark of General Cable Industries Inc.

Job Information	Type:
Job Name:	
Cat. No.:	
Lamp(s):	
Notes:	

Lightolier a Genlyte company www.lightolier.com
631 Airport Road, Fall River, MA 02720 • (508) 679-8131 • Fax (508) 674-4710
We reserve the right to change details of design, materials and finish.
© 2007 Genlyte Group LLC • A1107

LIGHTOLIER®