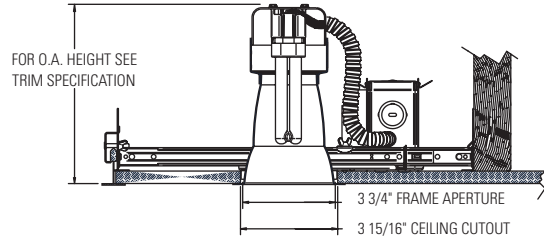
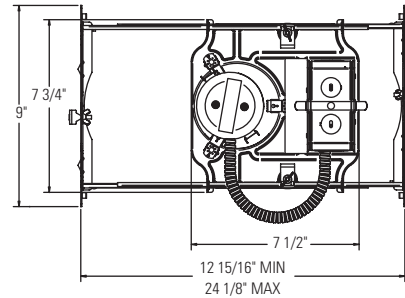
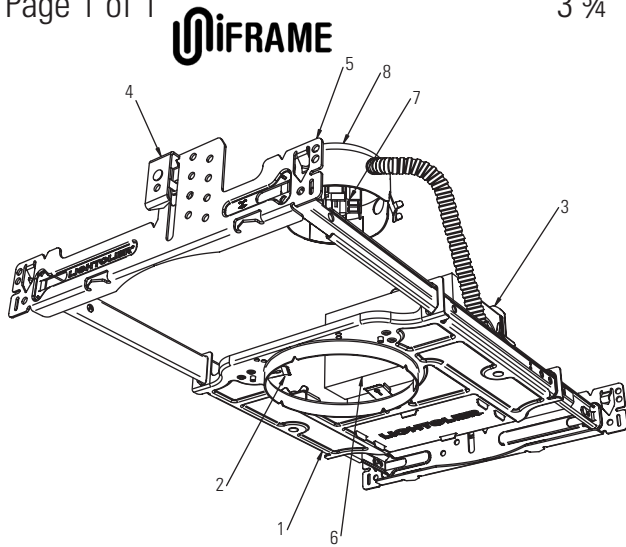


# Lytecaster® Performance Recessed CFL Downlighting **2001F**

Page 1 of 1

3 3/4" Aperture, 1 Light, Compact Fluorescent, Non-IC, Frame-In Kit



Complete Fixture consists of Frame-In Kit and Reflector Trim. Select each separately.

UniFrame™ Frame-In Kit	UniFrame™ Compact Fluorescent Performance Series Reflector Trims				
	Vertical Open	Vertical Wall Wash - Single	Vertical Wet Location Clear Lens	Vertical Wet Location Fresnel Lens	Vertical Wet Location Opal Lens
<b>2001F13U</b> 13w Quad/Triple GX24q-1 Base 120v – 0.13amp max 277v – 0.06amp max	<b>2001CL</b> <b>2001CD</b> <b>2001WH</b>	<b>2001CLSW</b> <b>2001CDSW</b> <b>2001WHSW</b>	<b>2001CLC</b> <b>2001CDC</b> <b>2001WHC</b>	<b>2001CLF</b> <b>2001CDF</b> <b>2001WHF</b>	<b>2001CLO</b> <b>2001CDO</b> <b>2001WHO</b>
<b>2001F18U</b> 18w Triple GX24q-2 Base 120v – 0.16amp max 277v – 0.07amp max					

## Features

- Mounting Frame:** .036" (#20ga.) Galvanized Steel. Accommodates all ceilings up to 1-1/2" thick; including existing or inaccessible areas.
- Trim Clips:** "Push In / Twist Out" Stainless Steel clips hold reflector flush to ceiling.
- Junction Box:** 2" x 4" x 3-1/2" (22cu.in.) .032" (#22ga.) galvanized steel. UL Listed for maximum of 8 (#12ga.) through branch circuit conductors.
- UniFrame™ Mounting System – Grid Ceiling:** Tool free mounting in grid ceilings. .036" (20ga.) Galvanized Steel interlocking slide bars adjust to 24-1/8" long accommodating 24" O.C. Ceiling Grid. Adjustable speed clamps for positive attachment to grid ceiling systems.
- UniFrame™ Mounting System – Wood Joist Ceiling:** Integral nailing tabs, alignment guides, fastener holes and bendable strapping guides for wood joist installation. Galvanized Steel interlocking slide bars adjust from 12-15/16" to 24-1/8" long to accommodate 16" and 24" O.C. joist spacing, with or without strapping.
- Ballast:** 120V – 277V UL Listed Electronic Ballast, end of lamp life protection, class "P" thermally protected, class "A" sound rating.
- Socket:** Four-pin base, molded thermoplastic socket, prewired with No. 18 AWM leads to ballast.
- Socket Housing:** .036" (#20ga.) Galvanized Steel housing attaches to reflector trim by spring clip for precise optic alignment.

**Labels:** cULus Listed. Suitable for Damp Locations.

**Accessories:** 1967A Extra Thick Ceiling Adapter (up to 2" thk)

Job Information	Type:
<b>Job Name:</b>	
<b>Cat. No.:</b>	
<b>Lamp(s):</b>	
<b>Notes:</b>	

Lightolier a Genlyte company www.lightolier.com  
 631 Airport Road, Fall River, MA 02720 • (508) 679-8131 • Fax (508) 674-4710  
 We reserve the right to change details of design, materials and finish.  
 © 2008 Genlyte Group LLC • B0108

**LIGHTOLIER®**