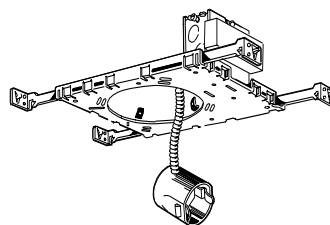
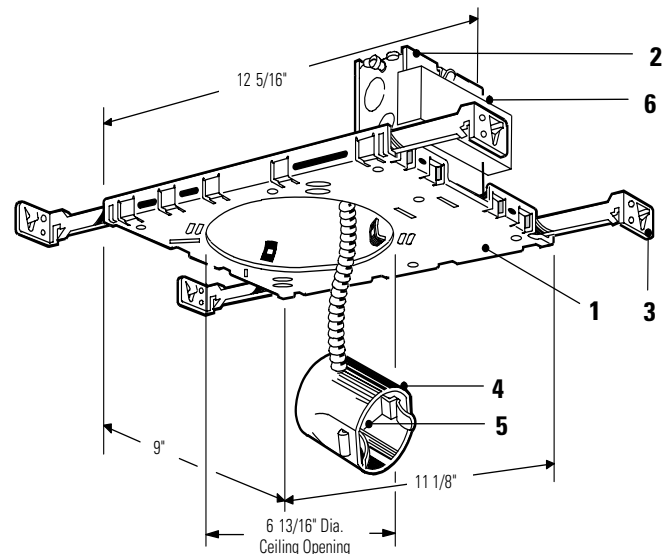


Lytecaster® Recessed Downlighting **1100FTUES**



Frame-In Kit



Reflector Trim

Note: Ballast is 120V only



Complete Fixture consists of Reflector Trim & Frame-In Kit.

Frame-In Kit		Reflector Trims — See Individual Reflector Trim Specification Sheets							
Voltage	Lamp	Open Downlight						Enclosed Diffusers	Wall Washer
		Reflector	Cone	Satin Cone	Baffles	Basic White	Cross Blade		
1100FTUES	120V 26W and 32W triple tube	1143	1112	1108	1105	1171 1170M1	1132	1121	1135
		1144	1112NM	1108NM	1105WH			1124	1135WH
		1144CD	1113	1110	1105BNM	1126	1185		
		1145	1113BK	1110NM	1105NM	1128	1186		
		1146	1113CD	1176	1176WH	1134	1186WH		
		1146CD	1113WH	1179M1	1179WH	1177SH	1195		
			1113NM			1178SH	1196		
			1113CDNM			1190	1196CD		

Features

- Mounting Frame:** 0.036" (#20 ga.) galvanized steel. Accommodates all ceilings up to 1" thick; including existing or inaccessible areas. Breakout section and anchor nails for existing ceilings. Push-in/twist-out rotoclips hold reflector flush to ceiling.
- Junction Box:** 0.063" (#14 ga.) 4" x 3 1/2" x 2" galvanized steel. U.L. listed for maximum of 8 No. 12 ga., 75°C through branch circuit conductors. Integral cable clamps permit attachment of nonmetallic Romex® or Armored cable without the need for separate connectors.
- Mounting Bars:** 0.059" (#16 ga.) galvanized steel. 13" long bars extend to 27", rotatable and lockable, with integral T-bar tabs. Attaches to wood joist or T-bar ceilings without need of accessories.
- Socket Housing:** Steel precisely attached to reflector by spring clip.
- Socket:** Four-pin base, molded thermoplastic. Prewired with No. 18 AWM leads to junction box.
- Ballast:** Electronic 120V, end of lamp life protected, FCC class "B" consumer limits, class "A" sound rating. Energy Star® qualified. Insulation must be kept 3" away from fixture sides and wiring compartment and must not be placed above fixture in a manner which will entrap heat.

Electrical

	26W	32W
Input Volts:	120V	120V
Input Watts:	29	36
Amps:	.24	0.31

Minimum starting temperature is 0°F.

Options & Accessories

- Mounting Bars:** 1964 - 20" set of (2)
T-Bar Anchor Clips: 1956 - set of (4) for use with above bars
Concealed Spline Ceiling Kit: 1965 - set of (4), 1 1/2" to 2 1/2" Mtg. Ht.
Plaster Ceiling Ring: 1960 - 7/8" depth for wet plaster ceilings.
Extra-Thick Ceiling Mounting Ring: 1967A - up to 2" thick ceilings.
Remodeler Anchor Clip: 1985S

Labels

UL (Suitable for Damp Locations), I.B.E.W.
 Romex® is a registered trademark of General Cable Industries Inc.
US Patent No's.: 5,045,985

Job Information	Type:
Job Name:	
Cat. No.:	
Lamp(s):	
Notes:	

Lightolier a Genlyte company www.lightolier.com
 631 Airport Road, Fall River, MA 02720 • (508) 679-8131 • Fax (508) 674-4710
 We reserve the right to change details of design, materials and finish.
 © 2006 Genlyte Group LLC • C0906

LIGHTOLIER®