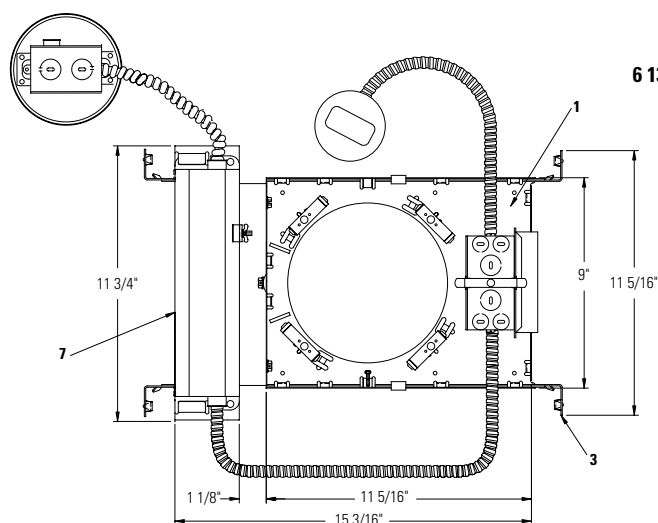


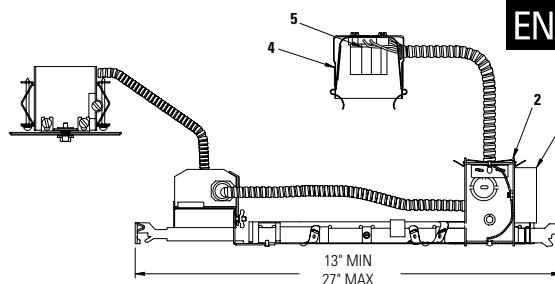
Lytecaster® Recessed Downlighting **1100FTUESEM**

Page 1 of 1

6 3/4" Aperture 1 Light, 120V 26/32W Triple Tube Fluorescent Frame-In Kit



6 13/16" Dia. Ceiling Opening



Note: Ballast is 120V only

Complete Fixture consists of Reflector Trim & Frame-In Kit.

Frame-In Kit	Voltage	Lamp	Reflector Trims — See Individual Reflector Trim Specification Sheets							
			Open Downlight						Enclosed Diffusers	Wall Washer
			Reflector	Cone	Satin Cone	Baffles	Basic White	Cross Blade		
1100FTUESEM	120V	26W and 32W Triple Tube	1143 1144 1144CD 1145 1146 1146CD	1112 1112NM 1113 1113BK 1113CD 1113WH 1113NM 1113CDNM 1113BKNM	1108 1108NM 1110 1110NM	1105 1105WH 1105BNM 1105NM 1176 1176WH 1179M1 1179WH	1171 1107M1	1132	1121 1124 1126 1128 1134 1177SH 1178SH 1190	1135 1135WH 1186 1186WH 1195 1196 1196CD

Features

- Mounting Frame:** 0.036" (#20 ga.) galvanized steel. Accommodates all ceilings up to 1" thick; including existing or inaccessible areas. Breakout section and anchor nails for existing ceilings. Push-in/twist-out rotoclips hold reflector flush to ceiling.
- Junction Box:** 0.063" (#14 ga.) 4" x 3 1/2" x 2" galvanized steel. U.L. listed for maximum of 8 No. 12 ga., 75°C through branch circuit conductors. Integral cable clamps permit attachment of nonmetallic Romex® or Armored cable without the need for separate connectors.
- Mounting Bars:** 0.059" (#16 ga.) galvanized steel. 13" long bars extend to 27", rotatable and lockable, with integral T-bar tabs. Attaches to wood joist or T-bar ceilings without need of accessories.
- Socket Housing:** Steel precisely attached to reflector by spring clip.
- Socket:** Four-pin base, molded thermoplastic. Prewired with No. 18 AWM leads to junction box.
- Ballast:** Electronic 120V, end of lamp life protected, FCC class "B" consumer limits, class "A" sound rating. Energy Star® qualified. Insulation must be kept 3" away from fixture sides and wiring compartment and must not be placed above fixture in a manner which will entrap heat.
- Emergency Battery:** 90 minute battery backup, complete with an LED charging indicator light and integrated test switch.

Electrical

	26W	32W
Input Volts:	120V	120V
Input Watts:	29	36
Amps:	.24	0.31

Minimum starting temperature is 0°F.

Options & Accessories

- Mounting Bars:** 1964 - 20" set of (2)
T-Bar Anchor Clips: 1956 - set of (4) for use with above bars
Concealed Spine Ceiling Kit: 1965 - set of (4), 1 1/2" to 2 1/2" Mtg. Ht.
Plaster Ceiling Ring: 1960 - 7/8" depth for wet plaster ceilings.
Extra-Thick Ceiling Mounting Ring: 1967A - up to 2" thick ceilings.

Labels

UL (Suitable for Damp Locations), I.B.E.W.

Romex® is a registered trademark of General Cable Industries Inc.

US Patent No's.: 5,045,985

Job Information	Type:
Job Name:	
Cat. No.:	
Lamp(s):	
Notes:	

Lightolier a Genlyte company www.lightolier.com
 631 Airport Road, Fall River, MA 02720 • (508) 679-8131 • Fax (508) 674-4710
 We reserve the right to change details of design, materials and finish.
 © 2006 Genlyte Group LLC • C0906

LIGHTOLIER®