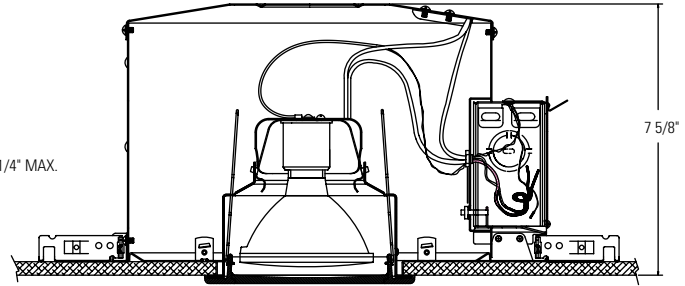
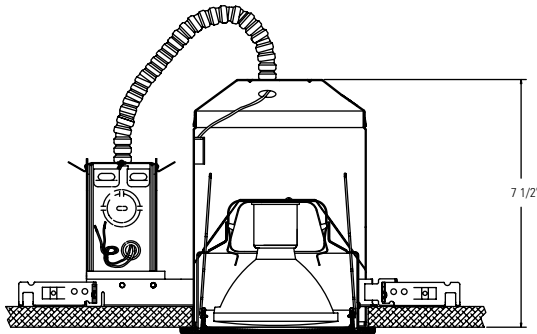


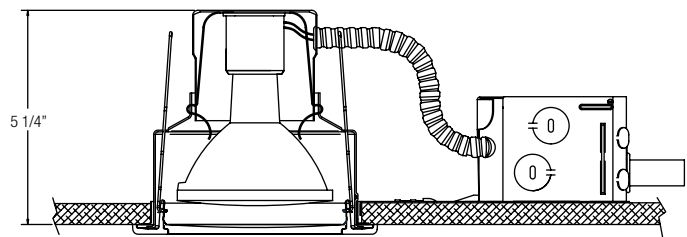
1090/1002P1 Series
Standard Incandescent



1090/10041CX
Lytefning™ AirSeal® Insulated Ceiling



1090/10041C
Lytefning™ Convertible
Non-IC only



1090/1003R
Lytefning™ Non-IC
Remodeler Ring

Complete Fixture consists of Reflector Trim & Frame-In Kit. Select each separately.

Reflector Trim	Frame-In Kit — See Individual Frame-In Kit Specification Sheets			
	Incandescent			
	Frame-In Kit	Ceiling Type	Lamping	Height
1090	1002P1	Non-IC	75W PAR30L	5 1/4"
	1003R	Non-IC Remodeler		5 1/4"
	1000IC	IC	60W PAR30S	7 5/16"
	1000AICM	AirSeal® IC		7 5/16"
	10041CX/N	AirSeal® IC		7 1/4"
	10041C/N	Non-IC	75W PAR30S	7 1/2"
	10041CR	Non-IC Remodeler		7 1/2"

Features

- Housing:** Hydroformed aluminum, .040 thick. min. Non-yellowing, gloss white powder coat finish for permanent reflectivity and surface protection.
- Trim Flange:** Frosted clear polycarbonate flange ring. Pull down and release for toolless relamping.
- Frame-In Kit:** (1002P1 standard frame shown) Other frames noted. See Frame-In Kit specification sheets for more details.
- Glass:** Pressed borosilicate glass textured diffuser. Smooth surface on exposed side for wipe down cleaning. Meets NEC® requirements for spas and hot tubs. May be installed less than 7' 6" above max water surface height.

Labels

UL (Suitable for Wet Locations - Covered Ceilings only), I.B.E.W.

NEC® is a registered trademark of the National Fire Protection Association.

US Patent Numbers: 5,045,985

Other US & Foreign Patents Pending.

Job Information

Type:

Job Name:

Cat. No.:

Lamp(s):

Notes:

Lightolier a Genlyte company

www.lightolier.com

631 Airport Road, Fall River, MA 02720 • (508) 679-8131 • Fax (508) 674-4710

We reserve the right to change details of design, materials and finish.

© 2007 Genlyte Group LLC • F0107