

**READ AND UNDERSTAND THESE INSTRUCTIONS BEFORE INSTALLING FIXTURE.**

This fixture is intended for installation in accordance with the National Electrical Code and local or Federal code specifications. To assure full compliance with codes and regulations, check with your local electrical inspector before installation. To prevent electrical shock, turn off electricity at fuse box before proceeding.

**Retain these instructions for maintenance reference.**

**INSTRUCTION SHEET NO.**

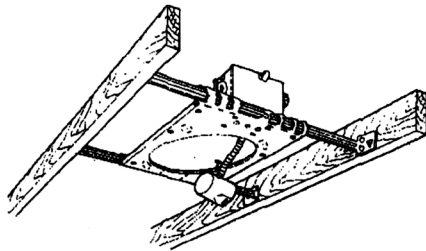
**IS:1102**

**B0203**

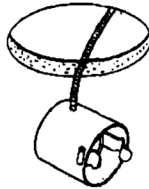
**Page 1 of 2**

**Installation of Lytecaster® Frame-in-Kit 1002, 1102, 1202 (May be used with 7 • 11 or Lytecaster Reflector Trims)**

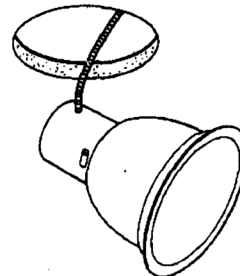
**WARNING – (RISK OF FIRE) Do not install insulation within 3 inches of fixture sides or wiring compartments, nor above fixture in such a manner as to entrap heat.**



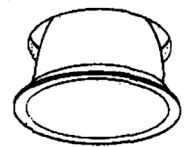
**FIG. A**  
**1. FRAME-IN**



**FIG. B**  
**2. CLOSE-IN**



**FIG. C**  
**3. SNAP-ON**



**FIG. D**  
**4. PUSH-UP**

**1. FRAME-IN (FIG. A)**

Fasten MOUNTING FRAME to wood joist. Line-up bottom edge of ADJUSTABLE MOUNTING BAR with bottom of wood joist (Fig. E). Wire to supply leads. (For Cable, use built-in Cable Clamp in J-Box.

**NOTE:** ADJUSTABLE MOUNTING can be extended for 24" mounting. (For suspended ceiling, make certain that the bottom of MOUNTING FRAME is no higher than 1" above ceiling line Fig. F).

**2. CLOSE-IN (FIG. B)**

Install plasterboard or other dry type ceiling, as required. Hole in board can be cut either on the ground or after the board is nailed to the ceiling. Use MOUNTING FRAME opening as cutting guide. (Make sure ROTO CLIPS are rotated out of hole area to cut.)

**NOTE:** For wet plaster ceiling, use Plaster Ring Accessory (order separately).

No. 1960 for 1002 Frame-In Kit

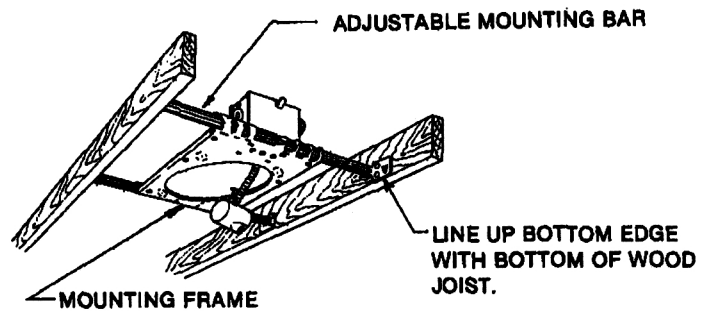
No. 1961 for 1102 Frame-In Kit

No. 1962 for 1202 Frame-In Kit

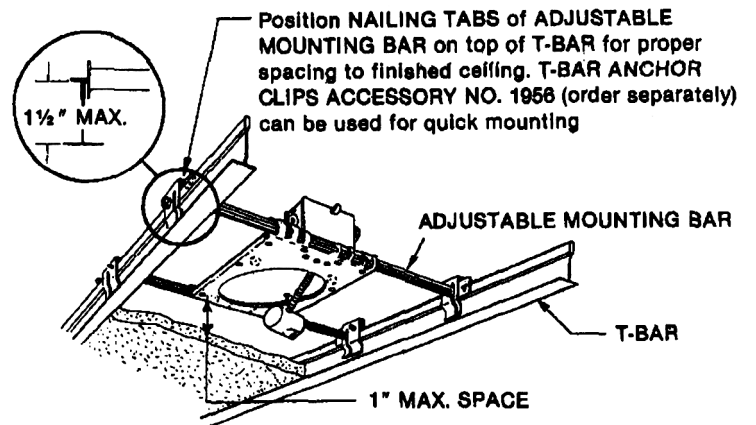
**3. SNAP-ON (FIG. C)**

**4. PUSH-UP (FIG. D)**

} See separate Instruction Sheet for your choice of reflector trim.



**FIG. E**



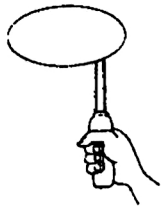
**FIG. F**

U.S. PATENT NO. 4,039,822  
OTHER U.S. AND FOREIGN PATENTS PENDING.

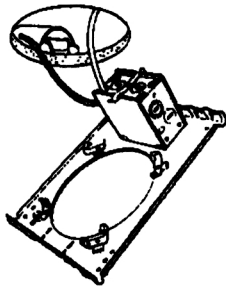
**READ AND UNDERSTAND THESE INSTRUCTIONS BEFORE INSTALLING FIXTURE.**

This fixture is intended for installation in accordance with the National Electrical Code and local or Federal code specifications. To assure full compliance with codes and regulations, check with your local electrical inspector before installation. To prevent electrical shock, turn off electricity at fuse box before proceeding.

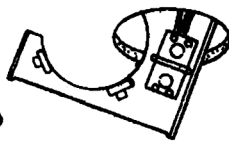
**Retain these instructions for maintenance reference.**



**FIG. A**  
**1. CUT OPEN**



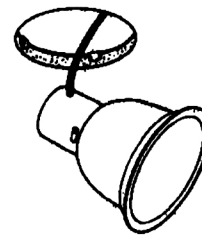
**FIG. B**  
**2. WIRE-IN**



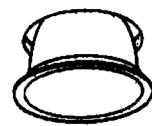
**FIG. C**  
**3. PUT THRU**



**FIG. D**  
**4. ANCHOR**



**FIG. E**  
**5. SNAP-ON**



**FIG. F**  
**6. PUSH-UP**

**1. CUT OPENING (FIG. A)**

Use MOUNTING FRAME opening as template.

**2. WIRE-IN (FIG. B)**

Wire to supply leads. (For Cable, use built-in Cable Clamp in J-Box.)

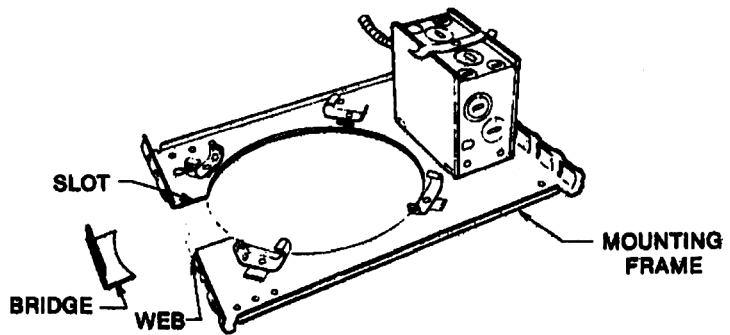
**3. PUT THROUGH (FIG. C)**

- a. Remove ADJUSTABLE MOUNTING BARS.
- b. Break off BRIDGE on MOUNTING FRAME as shown in FIG. G by breaking WEBS on SLOTS with cutting plier.
- c. Pass MOUNTING FRAME into ceiling as shown.

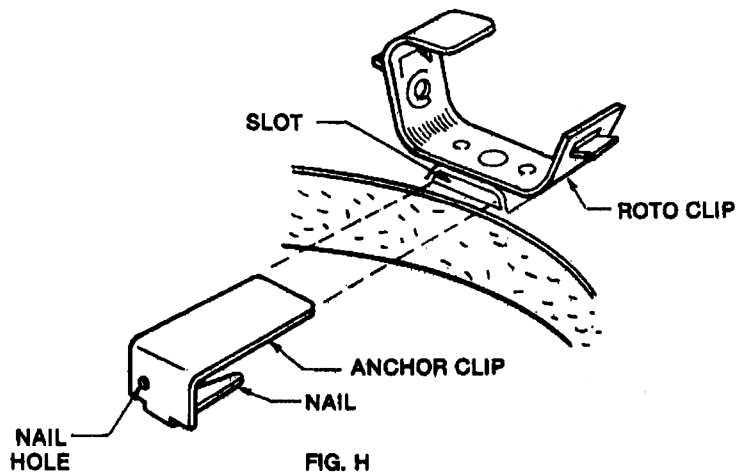
**4. ANCHOR (FIG. D)**

Use ANCHOR CLIPS (order separately Catalog No. 1985N for 1002 Frame-In Kit; Catalog No. 1985S for 1102 Frame-In Kit). Slide ANCHOR CLIP into SLOT underneath the ROTO CLIP (see Fig. H). Hold down MOUNTING FRAME tight against the ceiling, push the NAIL portion of ANCHOR CLIP into ceiling (Fig. 1). Use small nail through NAIL HOLE to secure ANCHOR CLIP to ceiling if desired. Install all (4) ANCHOR CLIPS.

- 5. SNAP-ON (FIG. E)** } See separate Instruction Sheet  
**6. PUSH-UP (FIG. F)** } for your choice of reflector trim.



**FIG. G**



**FIG. H**

**WARNING – USE ONLY REFLECTOR TRIMS PROVIDED BY LIGHTOLIER INC. USE OF OTHER MANUFACTURER' REFLECTOR TRIMS VOIDS THE UNDERWRITERS LABORATORIES LISTING AND COULD CONSTITUTE A FIRE HAZARD.**