

INSTALLATION PROCEDURE FOR LOW VOLTAGE REFLECTOR TRIM IN THE 1000LV FRAME-IN KIT

INSTRUCTION SHEET NO.

IS:1052LV

0890

Page 1 of 2

READ AND UNDERSTAND THESE INSTRUCTIONS BEFORE INSTALLING FIXTURE.

This fixture is intended for installation in accordance with the National Electrical Code or local regulations. To assure full compliance with local codes and regulations, check with your local electrical inspector before installation. To prevent electrical shock, turn off electricity at fuse box before proceeding.

Retain these instructions for maintenance reference.

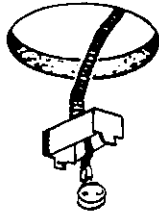


FIG. A
1. FRAME-IN

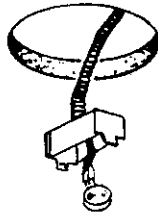


FIG. B
2. CLOSE-IN

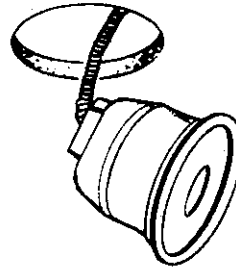


FIG. C
3. SNAP-ON



FIG. D
4. PUSH-UP

WARNING: BEFORE INSTALLING REFLECTOR TRIM TO FRAME-IN KIT, READ MARKINGS IN REFLECTOR TRIM AND IN SOCKET CUP OF FRAME-IN KIT TO DETERMINE LAMP WATTAGE AND TYPE APPLICABLE FOR YOUR INSTALLATION. IF I.C. TYPE FRAME-IN KIT IS USED, IT MAY BE INSTALLED IN DIRECT CONTACT WITH INSULATED CEILING. IF A NON I.C. TYPE FRAME-IN KIT IS USED, DO NOT INSTALL INSULATION WITHIN 3 INCHES OF FIXTURE SIDES OR WIRING COMPARTMENT, NOR ABOVE FIXTURE IN SUCH A MANNER AS TO ENTRAP HEAT.

1. FRAME-IN (Fig. A)

See Frame-In Kit Instruction Sheet for installation procedure.

2. ROTATE ROTO-CLIPS (Fig. B)

As shown in Fig. E.

3. SNAP-ON (Fig. C).

Disconnect SOCKET from FRAME-IN KIT WIRES by pulling off the insulated FEMALE CONNECTORS. Insert FRAME-IN KIT WIRES with FEMALE CONNECTORS through $\frac{3}{8}$ " dia. HOLE on top of REFLECTOR TRIM. Reconnect SOCKET (provided with REFLECTOR TRIM) by pushing MALE CONNECTORS into FEMALE CONNECTORS (Fig. G.)

Engage TAB from SOCKET CUP into one of the SLOTS on top of REFLECTOR TRIM and push other end of SOCKET CUP with LANSING into the other SLOT (Fig. F).

4. PUSH-UP (Fig. D).

Push REFLECTOR TRIM into ceiling until flange is flush to ceiling (Fig. D).

SEE BACK PAGE FOR LAMPING INSTALLATION AND ADJUSTMENT.

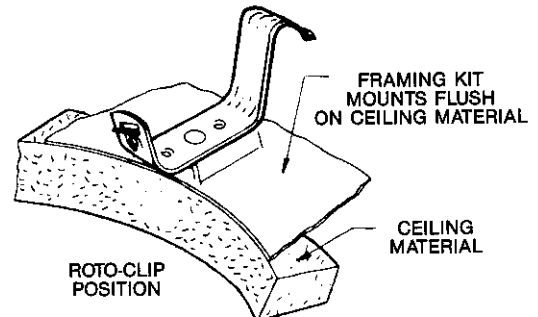


FIG. E

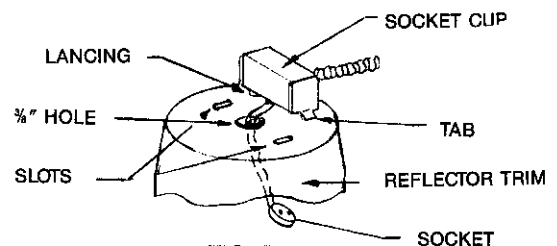


FIG. F

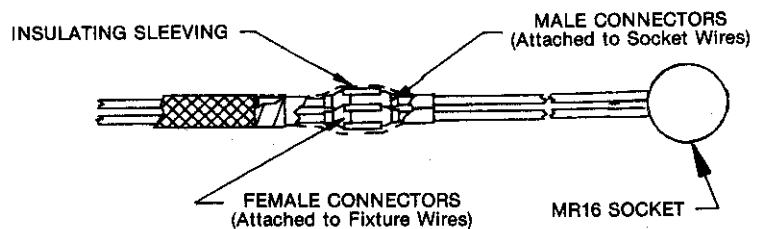


FIG. G

5. INSTALL LAMP

NOTE: Socket manufacturers have suggested that socket may fail after 3 to 6 relampings. If this occurs, socket can be replaced by disconnecting male connectors (attached to socket leads) from female connectors (attached to fixture leads) and replacing it with a new socket procured through Lightolier (Fig. G).

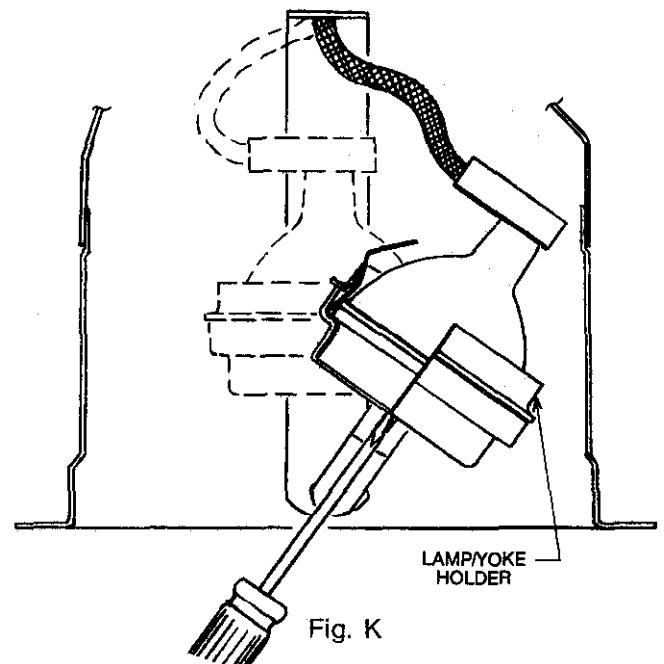
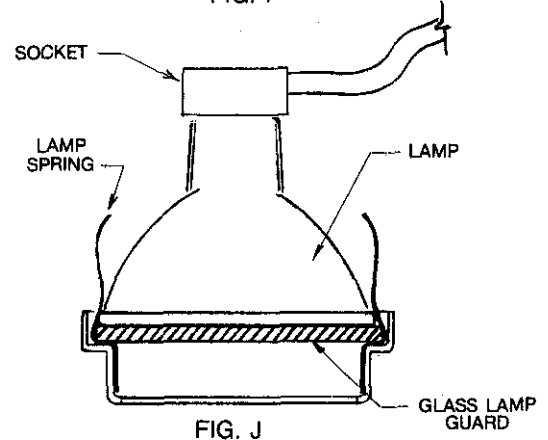
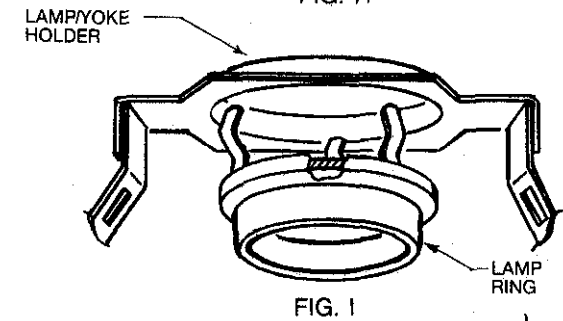
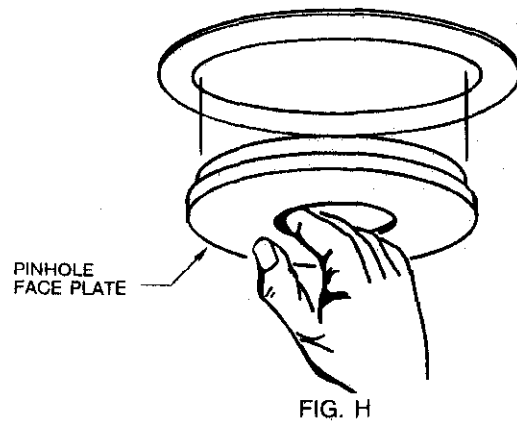
- A. Check to see that power is OFF before lamping or relamping.
- B. Remove PINHOLE FACE PLATE from HOUSING by inserting fingers in aperture and pull apart from HOUSING (Fig. H).
- C. Remove LAMP RING from LAMP/YOKE HOLDER by pulling straight down (Fig. I).
- D. Insert correct LAMP (MR16) between LAMP SPRINGS until face of LAMP sits firmly on GLASS LAMP GUARD (Fig. J). See warnings below.
- E. Attach SOCKET to bi-pin prongs on LAMP (Fig. J).
- F. Insert LAMP RING with LAMP and GLASS LAMP GUARD attached back into LAMP/YOKE HOLDER (Fig. K or L).

6. VERTICAL/ANGLE ADJUSTMENT

Insert a screwdriver into the SLOT in LEG of LAMP/YOKE HOLDER, and using the screwdriver as a lever, tilt the entire LAMP/YOKE HOLDER to the desired angle (Fig. K).

7. HORIZONTAL ADJUSTMENT

- A. The entire LAMP/YOKE HOLDER can be horizontally rotated to aim the angle of light as it leaves the hole in the APERTURE TRIM (Fig. K).
- B. Grasping the YOKES on either side of the LAMP/YOKE HOLDER, rotate the LAMP to the desired angle.



WARNING: 1. LAMP MANUFACTURERS REQUIRE THE GLASS LAMP GUARD BE IN PLACE BEFORE ENERGIZING LAMP, AND THAT GREAT CARE MUST BE TAKEN THAT LAMP IS FULLY COOLED BEFORE RELAMPING. AVOID FINGER MARKS ON INSIDE OF LAMP FOR THEY MAY CAUSE SHORT LAMP LIFE AND POSSIBLE BREAKAGE. 2. USE ONLY REFLECTOR TRIMS PROVIDED BY LIGHTOLIER INC. USE OF OTHER MANUFACTURER'S REFLECTOR TRIMS VOIDS THE UNDERWRITERS LABORATORIES LISTING AND COULD CONSTITUTE A FIRE HAZARD.

NOTE: LOW VOLTAGE FIXTURES should be dimmed only with special dimmers intended specifically for that purpose. Use Lightolier Lytemode, Scenist, Crescendo VA, Neptune VA, Precision VA, Easyset VA, Sunrise VA, Radiant VA or equivalent products by others or variable autotransformers or electronic dimmers intended for use with low voltage fixtures. 2. Low voltage fixtures may produce audible sound when used with dimmers, which may be objectional in acoustically critical areas.