

## Ordering Information

Family	Lamps	Length	Shielding	Ballast	Voltage	Finish
<b>LSC</b>	<b>1</b>		<b>C</b>			
LSC	1 = 1-Lamp T5	4 = 4-foot 8 = 8-foot 12 = 12-foot	C = Pierced	28 = 28W T5 54 = 54W T5 5E = 54W T5 Emergency Pack 2E = 28W T5 Emergency Pack 5D = 54W T5 Dimming	1 = 120v 2 = 277v	AL = Aluminum WH = White

## Features

- Housing:** Die-formed 18 gauge CRS. Two 1-1/4" (3.18cm) pierced strips in housing. Rectangular piercings are 1/8" (0.32cm) wide and 1/8" (0.32cm) apart. Die-cast end cap mechanically attached with no exposed fasteners.
- Lamp:** One T5 28 or 54 watt (as specified) fluorescent lamp per 4-foot nominal section. Provided by others.
- Reflector:** Patented precision die-formed semi-specular aluminum.

## Electrical

Ballast is <10% THD, .98 ballast factor, rapid start. 3 conductor, 18 gauge wire. Color-coded quick connectors allow ease of connection for joiner modules. Power feed is 18 gauge white SJT. For special circuiting consult factory. Factory installed ballast disconnect allows the ballast to be disconnected from and reconnected to incoming power under load without turning the entire circuit off. Dimming - 120/277 VAC 10% dimming level. Emergency Batter Pack - 28 watt: 520 lumens @ 90 minutes, 54 watt: 700 lumens @ 90 minutes.

## Mounting

**Cable Suspension** (not shown) - 4 1/2" (11.43cm) diameter canopy finished white enamel, 1/16" (0.16cm) diameter stainless steel aircraft cable adjustable up to 36" (91.44cm). Draw-tight connector to create hairline seam between joiner modules. May be stanchion mounted on Steelcase Answer®, Montage®, and Segment® Wall Systems.

## Finish

Powder coated baked white or aluminum finish. Custom colors available, consult factory.

## Options and Accessories

Emergency circuiting, special circuiting - consult factory.

## Ordering Instructions

### Individual Fixtures:

- Order number of MODULES required.
- Order one POWER FEED END SET per MODULE.

### Continuous Runs:

- Determine run length.
- Order the appropriate number of MODULES or the complete run.
- Order one POWER FEED END SET per run.
- Order one CABLE ASSEMBLY per MODULE minus one per run.
- For runs that exceed amperage limits, order the appropriate number of CABLE/CORD ASSEMBLIES.

## Labels

UL, cUL and IBEW

Steelcase Answer®, Montage®, and Segment® Wall Systems are registered trademarks of Steelcase Corporation.

## Job Information

## Type:

**Job Name:**

**Cat. No.:**

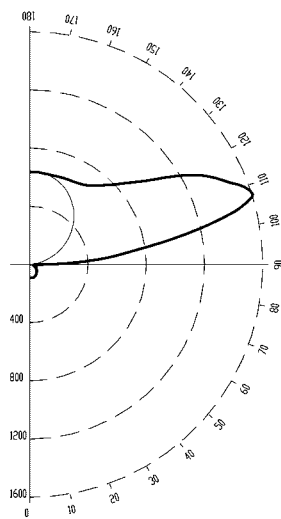
**Lamp(s):**

**Notes:**

631 Airport Road, Fall River, MA 02720 • (508) 679-8131 • Fax (508) 674-4710  
We reserve the right to change details of design, materials and finish.  
www.lightolier.com © 2008 Philips Group • C0908

## Performance

### CANDLEPOWER CURVE



ZONE DEG.	CANDLEPOWER				
	0	22	45	67	90
		CANDELAS			
180	637	637	637	637	637
175	637	638	635	634	636
165	617	621	621	628	632
155	575	582	603	629	640
145	508	530	579	636	666
135	427	465	565	708	774
125	330	392	612	881	1011
115	223	335	773	1244	1406
105	111	362	1023	1428	1491
95	22	371	433	515	538
90	0	26	76	80	116
85	1	8	16	25	29
75	8	14	25	36	40
65	21	27	35	46	50
55	39	43	47	56	57
45	54	59	61	67	68
35	69	73	75	79	78
25	81	84	86	88	87
15	91	91	93	94	93
5	95	95	94	94	93
0	95	95	95	95	95

### COEFFICIENTS OF UTILIZATION % EFFECTIVE CEILING CAVITY REFLECTANCE

	WALL REFLECTANCE								
	80			70			50		
	70	50	30	70	50	30	50	30	10
0	84	84	84	73	73	73	52	52	52
1	76	73	70	66	63	60	45	43	42
2	69	63	59	60	55	51	39	36	34
3	63	56	50	54	48	43	34	31	29
4	58	49	43	50	43	37	30	27	24
5	53	43	37	45	38	32	27	23	21
6	48	39	32	42	34	28	24	20	18
7	45	35	28	38	30	25	22	18	15
8	41	31	25	35	27	22	20	16	13
9	38	28	22	33	25	20	18	14	12
10	35	26	20	31	22	217	16	13	10

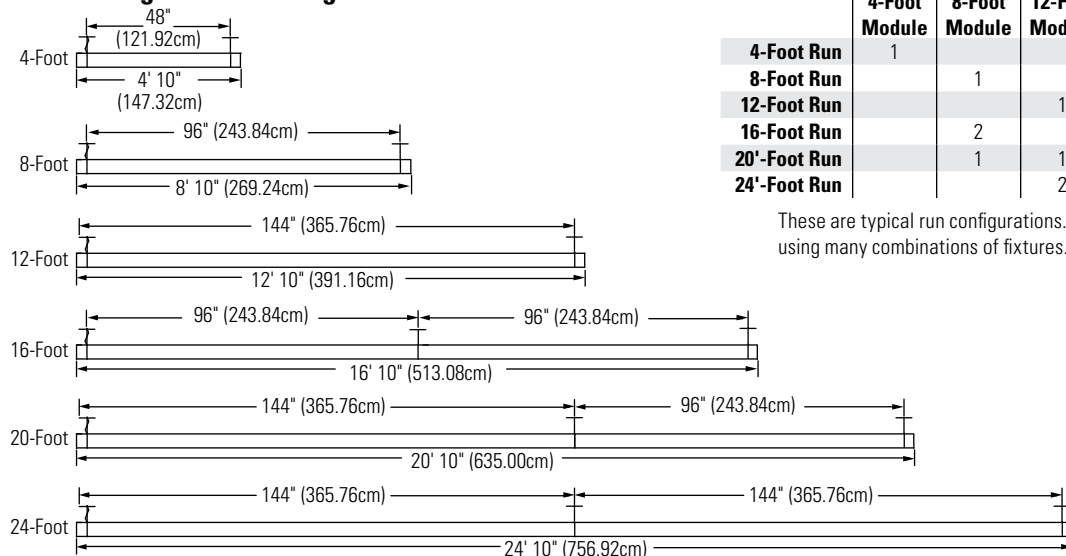
### 20% FLOOR CAVITY REFLECTANCE

### DISTRIBUTION

Zone	Lumens	% Lamp	% Luminaire
0-90	292	5.8	6.7
90-180	4053	81.1	93.3
0-180	4346	86.9	100.0

Calculations are for 54 watt T5 lamps, for 28 watt T5 lamps divide by 1.7.

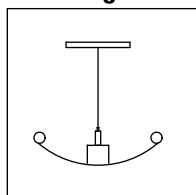
## Fixture Lengths & Mounting Locations



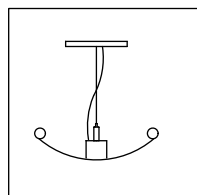
	4-Foot Module	8-Foot Module	12-Foot Module	Power Feed End Set	Cable/Assembly
4-Foot Run	1			1	
8-Foot Run		1		1	
12-Foot Run			1	1	
16-Foot Run		2		1	1
20-Foot Run		1	1	1	1
24-Foot Run			2	1	1

These are typical run configurations. Runs can be constructed using many combinations of fixtures.

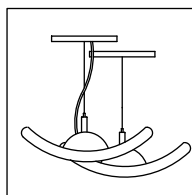
## Mounting Accessories



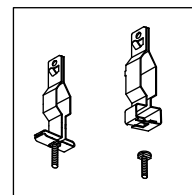
**Cable Assembly**  
Single Cable: **LSCC36**



**Cable/Cord Assembly**  
Single Cable & Cord: **LSCCC36**  
Single Cable & 4 Wire Cord\*: **LSCCC36X4**



**Power Feed End Set**  
Straight Cord: **LSCEC36WH** (white)  
**LSCEC36AL** (aluminum)  
4 Wire Cord\*: **LSCEC36WHX4** (white)  
**LSCEC36ALX4** (aluminum)



**Ceiling Grid Kit**  
**CGK**  
Includes both Standard 1" (2.54cm) Tee Bar Clip & Slot Tee Clip.  
Order 1 Kit per mounting point.

\* Use for dimming and/or emergency battery packs

## Job Information

## Type:

631 Airport Road, Fall River, MA 02720 • (508) 679-8131 • Fax (508) 674-4710  
We reserve the right to change details of design, materials and finish.  
www.lightolier.com © 2008 Philips Group • C0908