

Module Ordering Information

Style	Series	Lamps	Type	Length	Ballast	Options
LP	W	1 1 = 1 Lt Cross Section	T5 = T5 Lamps HO = T5 HO Lamps	4 = 4-Foot 8 = 8-Foot	U = Uni-voltage E = Emergency Pack D1 = Dimming 120v D2 = Dimming 277v	Blank = No Options DS = Dual Switched X4 = 4th through wire

Complete ordering instructions below.

Features

- Housing:** 18 gauge steel. Die-formed steel end cap with concealed access holes for through wiring. No exposed fasteners or hardware.
- Lamping:** One F28T5 or F54T5 fluorescent lamp per 4-Foot section. Provided by others.
- Reflector:** Precision die-formed specular aluminum.
- Diffuser:** Opal Acrylic.

Electrical

Ballast is universal voltage, <10% THD, .88 ballast factor, instant start. 3 conductor, 18 gauge wire. Color-coded quick connectors allow ease of connection for joiner modules. For special circuiting consult factory. Factory installed ballast disconnect allows the ballast to be disconnected from and reconnected to incoming power under load without turning the entire circuit off.

Dimming: 120/277 VAC

Emergency Battery Pack: 28 watt: 520 lumens @ 90 minutes.
54 watt: 700 lumens @ 90 minutes.

Labels

UL, cUL and I.B.E.W.

Finish

Powder coated baked white enamel. Custom colors available, consult factory.

Options

Dual Switching: Order the DS option for separate row switching. DS option automatically ships with the X4 option included.

X4 Wire: Order X4 modules for remainder of the run when using dimming and/or switched emergency battery pack modules.

Emergency Circuiting: Special circuiting - consult factory.

Ordering Information

Individual Fixtures:

- Order number of MODULES required.
- Order one END SET per MODULE.

Continuous Rows:

- Determine run length.
- Order the appropriate number of MODULES for the complete run.
- Order one END SET per run.
- Order one JOINER CONNECTOR per MODULE in run minus one.

Job Information

Type:

Job Name:

Cat. No.:

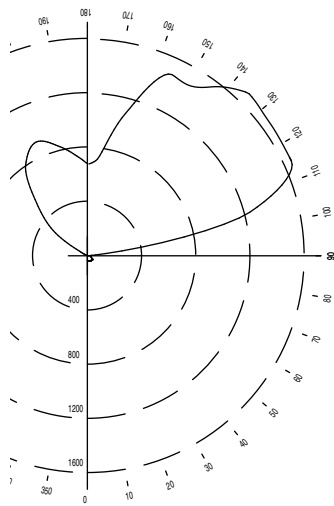
Lamp(s):

Notes:

631 Airport Road, Fall River, MA 02720 • (508) 679-8131 • Fax (508) 674-4710
We reserve the right to change details of design, materials and finish.
www.lightolier.com © 2008 Philips Group • B0908

Performance

CANDLEPOWER CURVE



ZONE DEG.	CANDLEPOWER				
	0	22	45	67	90
		CANDELAS			
180	677	677	677	677	677
175	704	703	685	665	682
165	1088	972	860	698	660
155	1476	1404	1119	723	605
145	1360	1346	1316	795	531
135	1690	1519	1139	841	433
125	1611	1586	1265	805	231
115	1661	1559	1247	671	248
105	1241	1152	992	558	127
95	30	31	122	252	33
90	22	22	14	12	5
85	23	21	15	10	0
75	30	28	21	13	0
65	33	30	23	14	0
55	50	49	43	35	28
45	43	41	36	30	24
35	47	44	40	35	31
25	41	41	38	34	41
15	40	41	39	37	36
5	36	37	36	35	35
0	32	32	32	32	32

COEFFICIENTS OF UTILIZATION % EFFECTIVE CEILING CAVITY REFLECTANCE

ROOM CAVITY RATIO	WALL REFLECTANCE								
	80			70			50		
	70	50	30	70	50	30	50	30	10
0	72	72	72	65	65	65	53	53	53
1	66	63	60	60	57	55	47	45	44
2	60	56	52	55	51	47	42	40	38
3	55	49	45	50	45	41	38	35	32
4	51	44	39	46	40	36	34	30	28
5	47	39	34	43	36	32	30	27	24
6	43	35	30	39	33	28	27	24	21
7	40	32	27	36	30	25	25	21	19
8	37	29	24	34	27	22	23	19	17
9	34	26	21	31	24	20	21	17	15
10	32	24	19	29	22	18	18	15	13

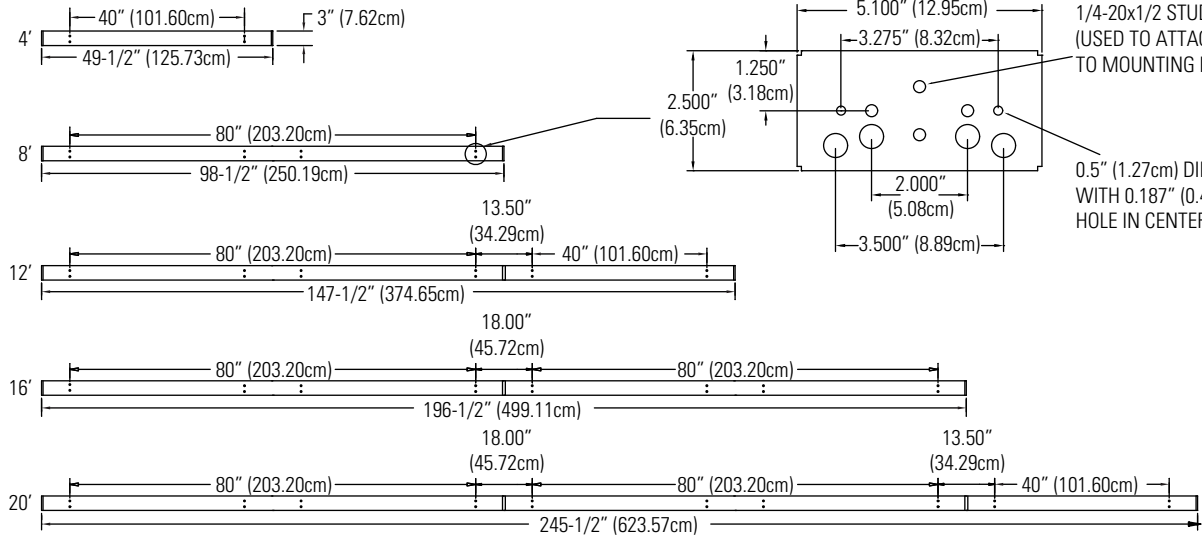
20% FLOOR CAVITY REFLECTANCE

DISTRIBUTION

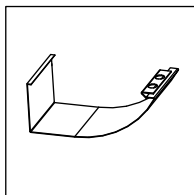
Zone	Lumens	% Lamp	% Luminaire
0-90	120	2.4	3.1
90-180	3767	75.3	96.9
0-180	3887	77.7	100.0

REPORT NO: LRL 1200-6F
 CAT NO: LPW1H04U
 LAMPS: 1 F54T5
 LUMENS: 5000
 EFFICIENCY: 77.7%

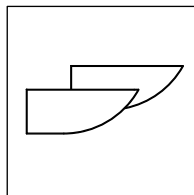
Fixture Lengths & Mounting Locations



Mounting Accessories



LPWC Joiner Connector
 Covers the joint between modules



LPWE End Set
 One set of a left and right plate to finish the run.

	4' (121.92cm) Module	8' (243.84cm) Module	End Set	Connector
4' (121.92cm) Run	1		1	
8' (243.84cm) Run		1	1	
12' (365.76cm) Run	1	1	1	1
16' (487.68cm) Run		2	1	1
20' (609.60cm) Run	1	2	1	2
24' (731.52cm) Run		3	1	2

Job Information Type:

631 Airport Road, Fall River, MA 02720 • (508) 679-8131 • Fax (508) 674-4710
 We reserve the right to change details of design, materials and finish.
 www.lightolier.com © 2008 Philips Group • B0908