

Module Ordering Information

Style	Series	Lamps	Type	Length	Ballast	Options
LP	W	2 2 = 2 Lt Cross Section	B4 = 40w Biax B5 = 50w Biax	4 = 4-Foot 8 = 8-Foot	U = Uni-voltage E = Emergency Pack D1 = Dimming 120v D2 = Dimming 277v	Blank = No Options DS = Dual Switched X4 = 4th through wire

Complete ordering instructions below.

Features

- Housing:** 18 gauge steel. Die-formed steel end cap with concealed access holes for through wiring. No exposed fasteners or hardware.
- Lamping:** Four FT40W or FT50W fluorescent lamp per 4-Foot section. Provided by others.
- Reflector:** Precision die-formed specular aluminum.
- Diffuser:** Opal Acrylic.

Electrical

Ballast is universal voltage, <10% THD, .88 ballast factor, instant start. 3 conductor, 18 gauge wire. Color-coded quick connectors allow ease of connection for joiner modules. For special circuiting consult factory. Factory installed ballast disconnect allows the ballast to be disconnected from and reconnected to incoming power under load without turning the entire circuit off.

Dimming: 120/277 VAC.

Emergency Battery Pack: 40 watt: 450 lumens @ 90 minutes.

Labels

UL, cUL and I.B.E.W.

Finish

Powder coated baked white enamel. Custom colors available, consult factory.

Options

Dual Switching: Order the DS option for separate row switching. DS option automatically ships with the X4 option included.

X4 Wire: Order X4 modules for remainder of the run when using dimming and/or switched emergency battery pack modules.

Emergency Circuiting: Special circuiting - consult factory.

Ordering Information

Individual Fixtures:

- Order number of MODULES required.
- Order one END SET per MODULE.

Continuous Rows:

- Determine run length.
- Order the appropriate number of MODULES for the complete run.
- Order one END SET per run.
- Order one JOINER CONNECTOR per MODULE in run minus one.

Job Information

Type:

Job Name:

Cat. No.:

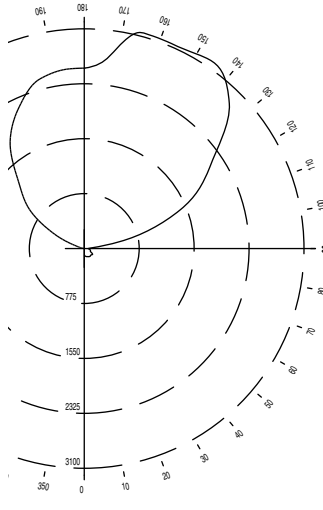
Lamp(s):

Notes:

631 Airport Road, Fall River, MA 02720 • (508) 679-8131 • Fax (508) 674-4710
We reserve the right to change details of design, materials and finish.
www.lightolier.com © 2008 Philips Group • B0908

Performance

CANDLEPOWER CURVE



REPORT NO: LRL 1200-6A
 CAT. NO: LPW2B44U
 LAMPS: 4-F40BX
 LUMENS: 3150
 EFFICIENCY: 67.6%

ZONE DEG.	CANDLEPOWER				
	0	22	45	67	90
180	2545	2545	2545	2545	2545
175	2624	2646	2590	2534	2556
165	3153	2984	2894	2601	2488
155	3142	3018	2950	2534	2297
145	3198	3074	2871	2432	2043
135	2894	2826	2669	2130	1672
125	2226	2342	2170	1830	1340
115	1681	1677	1668	1451	920
105	881	885	859	858	475
95	97	113	113	218	106
90	56	50	34	25	21
85	69	61	42	26	20
75	89	82	62	37	27
65	96	89	68	42	25
55	143	140	119	96	74
45	131	124	107	86	69
35	137	132	117	100	86
25	125	120	111	99	88
15	117	116	110	104	98
5	104	102	101	99	98
0	89	89	89	89	89

COEFFICIENTS OF UTILIZATION

% EFFECTIVE CEILING CAVITY REFLECTANCE

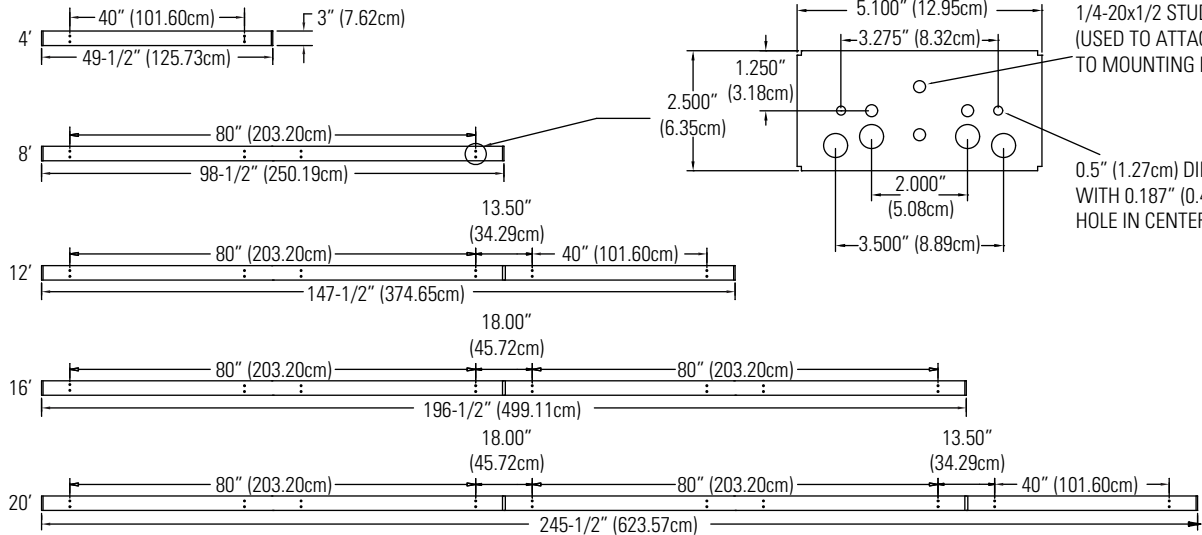
ROOM CAVITY RATIO	WALL REFLECTANCE								
	80			70			50		
	70	50	30	70	50	30	50	30	10
0	65	65	65	56	56	56	39	39	39
1	59	56	54	51	49	47	34	33	32
2	54	49	45	46	42	39	30	28	26
3	49	43	39	42	37	34	26	24	22
4	45	38	33	38	33	29	23	21	18
5	41	34	28	35	29	25	20	18	16
6	37	30	25	32	26	22	18	15	13
7	34	27	22	29	23	19	16	14	12
8	32	24	19	27	21	17	15	12	10
9	29	22	17	25	19	15	13	11	9
10	27	20	15	23	17	13	12	10	8

20% FLOOR CAVITY REFLECTANCE

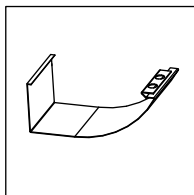
DISTRIBUTION

Zone	Lumens	% Lamp	% Luminaire
0-90	357	2.8	4.2
90-180	8161	64.8	95.8
0-180	8519	67.6	100.0

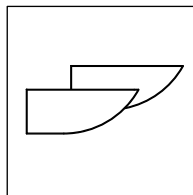
Fixture Lengths & Mounting Locations



Mounting Accessories



LPWC Joiner Connector
 Covers the joint between modules



LPWE End Set
 One set of a left and right plate to finish the run.

	4' (121.92cm) Module	8' (243.84cm) Module	End Set	Connector
4' (121.92cm) Run	1		1	
8' (243.84cm) Run		1	1	
12' (365.76cm) Run	1	1	1	1
16' (487.68cm) Run		2	1	1
20' (609.60cm) Run	1	2	1	2
24' (731.52cm) Run		3	1	2

Job Information Type:

631 Airport Road, Fall River, MA 02720 • (508) 679-8131 • Fax (508) 674-4710
 We reserve the right to change details of design, materials and finish.
 www.lightolier.com © 2008 Philips Group • B0908