

Module Ordering Information

Style	Series	Type	Lamps	Length	Ballast	Options
LP	2	B	2T8 2T8 = 2-F32T8	4 = 4-Foot 8 = 8-Foot	U = Universal Voltage E = Emergency Pack D1 = Dimming 120v D2 = Dimming 277v	Blank = No Options DS = A-B Switch X4 = 4 Wire for Dimming & Switched Emergency

Complete ordering instructions below.

Features

- Housing:** 18 gauge perforated steel with 51% open hole pattern. Holes are 1/8" (0.32cm) diameter on 5/32" (0.40cm) centers. Die-formed steel end cap with concealed access holes for through wiring. No exposed fasteners or hardware.
- Lamping:** Two T8 32 watt fluorescent lamps per 4-foot section. Provided by others.
- Reflector:** Precision die-formed CRS painted high reflectance white.
- Diffuser:** Opal acrylic diffuser.

Electrical

Ballast is universal voltage, <10% THD, .88 ballast factor, instant start. 3 conductor, 18 gauge wire. Color-coded quick connectors allow ease of connection for joiner modules. For special circuiting consult factory. Cord is 18/3 SJT. Factory installed ballast disconnect allows the ballast to be disconnected from and reconnected to incoming power under load without turning the entire circuit off.

Dimming: 120/277 VAC, 4 wire feed required.

Emergency Battery Pack: 32 watt: 450 lumens @ 90 minutes.

Mountings

Cable Suspension (not shown) - 4-1/2" (11.43cm) diameter flat canopy finished white enamel, 1/16" (0.16cm) diameter stainless steel aircraft cable adjustable up to 36" (91.44cm) without cutting. Overlap connector to provide 46" (116.84cm) of perforated and 2" (5.08cm) solid sections contiguously without the presence of hairline connections. (See Bottom View drawing above)

Options

Dual Switching: Order the DS option for separate row switching. DS option automatically ships with the X4 option included.

4 Wire: Order X4 modules for remainder of the run when using dimming and/or switched emergency battery pack modules. Also, order the 4 Wire Cord Power Feed End Sets (LP2EC36X4) when using 4 Wire Modules.

Emergency Circuiting: Special circuiting - consult factory.

Ordering Information

Individual Fixtures:

- Order number of MODULES required.
- Order one POWER FEED END SET per MODULE.

Continuous Rows:

- Determine run length.
- Order the appropriate number of MODULES for the complete run.
- Order one POWER FEED END SET per run.
- Order one CABLE ASSEMBLY per MODULE minus one per run.
- For runs that exceed amperage limits, order the appropriate number of SINGLE CABLE & CORD FEEDS.

Finish

Powder coated baked white enamel. Custom colors available, consult factory.

Labels

UL, cUL and I.B.E.W.

Job Information

Type:

Job Name:

Cat. No.:

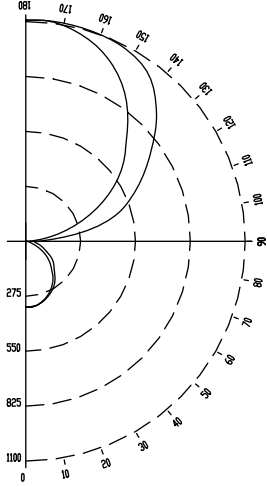
Lamp(s):

Notes:

631 Airport Road, Fall River, MA 02720 • (508) 679-8131 • Fax (508) 674-4710
 We reserve the right to change details of design, materials and finish.
 www.lightolier.com © 2008 Philips Group • B0908

Performance

CANDLEPOWER CURVE



ZONE DEG.	CANDLEPOWER				
	0	22	45	67	90
		CANDELAS			
180	1107	1107	1107	1107	1107
175	1109	1108	1111	1110	1110
165	1072	1079	1097	1107	1105
155	996	1015	1045	1084	1092
145	875	919	972	1032	1049
135	713	778	840	914	926
125	573	639	726	790	762
115	392	475	536	591	610
105	208	285	356	433	448
95	41	112	135	156	161
90	0	18	33	48	55
85	8	19	28	40	45
75	29	37	54	70	75
65	59	70	89	105	111
55	129	133	147	165	165
45	177	180	186	198	202
35	237	239	243	250	253
25	282	282	284	288	289
15	313	314	314	316	315
5	331	330	331	328	330
0	330	330	330	330	330

COEFFICIENTS OF UTILIZATION
% EFFECTIVE CEILING CAVITY REFLECTANCE

ROOM CAVITY RATIO	WALL REFLECTANCE								
	80			70			50		
	70	50	30	70	50	30	50	30	10
0	80	80	80	71	71	71	53	53	53
1	73	70	67	64	62	59	46	45	43
2	67	61	57	59	54	50	41	38	36
3	61	54	49	54	48	43	36	33	31
4	56	48	42	49	42	37	32	29	26
5	51	42	36	45	38	32	29	25	22
6	47	38	32	41	34	28	26	22	19
7	43	34	28	38	30	25	23	20	17
8	40	31	25	35	27	22	21	17	15
9	37	28	22	33	25	20	19	16	13
10	34	25	20	30	22	18	17	14	11

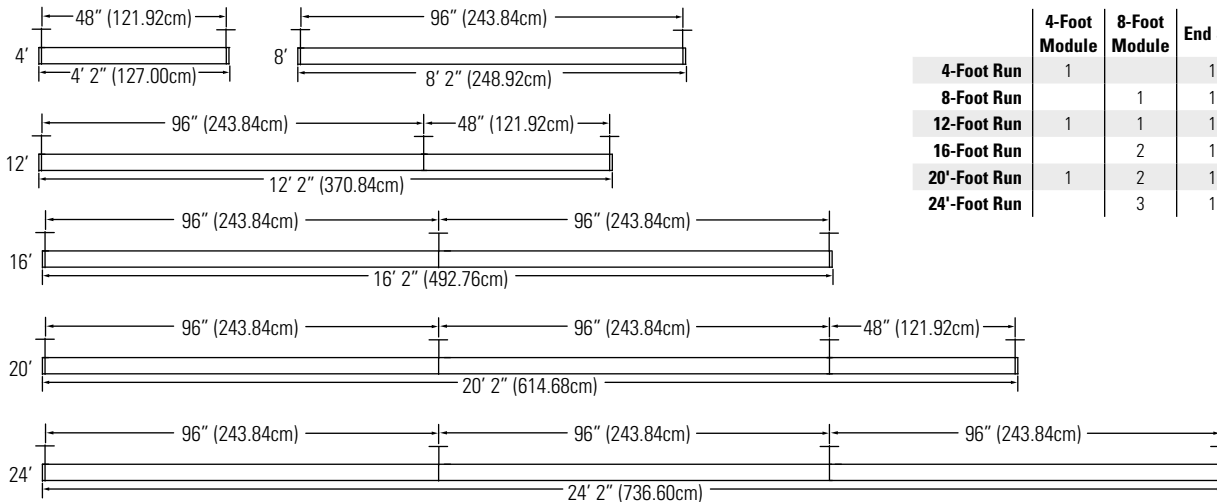
20% FLOOR CAVITY REFLECTANCE

REPORT NO: LRL 1199-5A
CAT NO: LP2C2T84U
LAMPS: 2 F32T8
LUMENS: 2900
EFFICIENCY: 80.7%

DISTRIBUTION

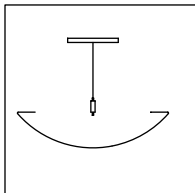
Zone	Lumens	% Lamp	% Luminaire
0-90	859	14.8	18.3
90-180	3822	65.9	81.7
0-180	4681	80.7	100.0

Fixture Lengths & Mounting Locations

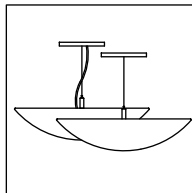


	4-Foot Module	8-Foot Module	End Set	Cable/Joiner
4-Foot Run	1		1	
8-Foot Run		1	1	
12-Foot Run	1	1	1	1
16-Foot Run		2	1	1
20-Foot Run	1	2	1	2
24-Foot Run		3	1	2

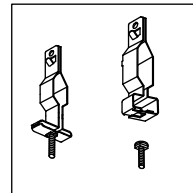
Mounting Accessories



Cable/Joiner Assembly
Standard Cable Length is 36" (91.44cm)
Single Cable: **LP2C36**
Single Cable & Cord: **LP2CC36**
Single Cable & 4 Wire Cord: **LP2CC36X4**



Power Feed End Set
Standard Cable Length is 36" (91.44cm)
Straight Cord: **LP2EC36**
4 Wire Cord*: **LP2EC36X4**
* use for dimming and/or emergency battery packs



Ceiling Grid Kit CGK
Includes both Standard 1" (2.54cm) Tee Bar Clip & Slot Tee Clip

Job Information	Type:
-----------------	-------

631 Airport Road, Fall River, MA 02720 • (508) 679-8131 • Fax (508) 674-4710
We reserve the right to change details of design, materials and finish.
www.lightolier.com © 2008 Philips Group • B0908